

KOALA






L I V I N G

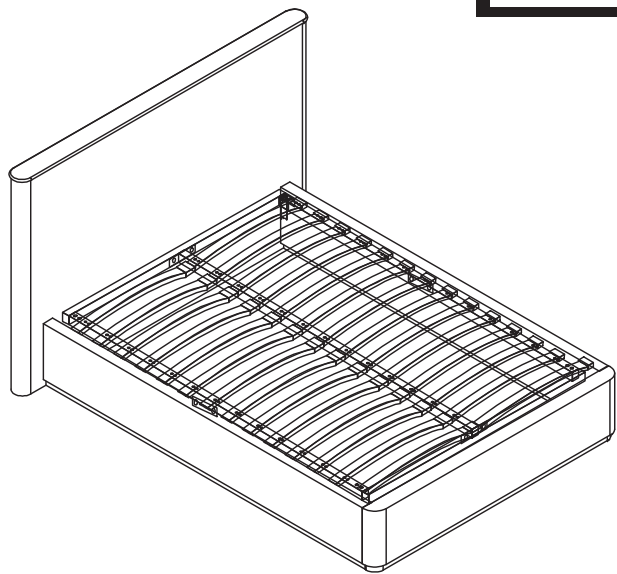
Assembly Instruction

Product Name: San Pierre Walnut Veneer King Bed

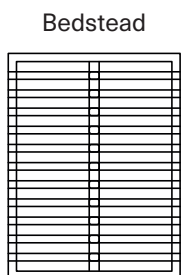
Product Id: 129477

Hardware List

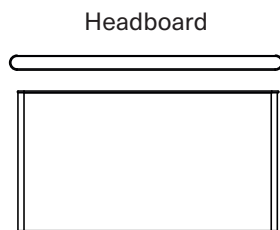
A		Allen Key 5mm	1 pc
B		Allen Wrench 8*80	1 pc
C		Allen Bolt 8*25	4 pcs
D		Allen Bolt 8*80	8 pcs
E		Nut 20*10	8 pcs



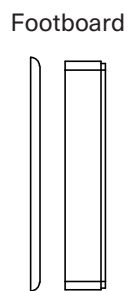
Part List



1 pc



1 pc

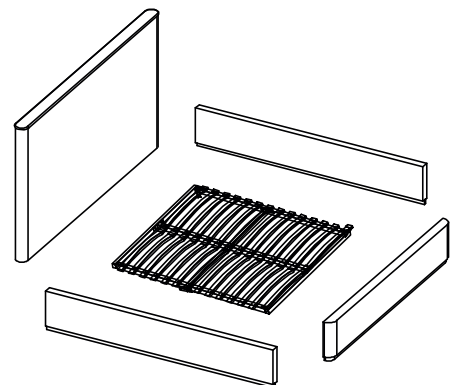


1 pc

Rails



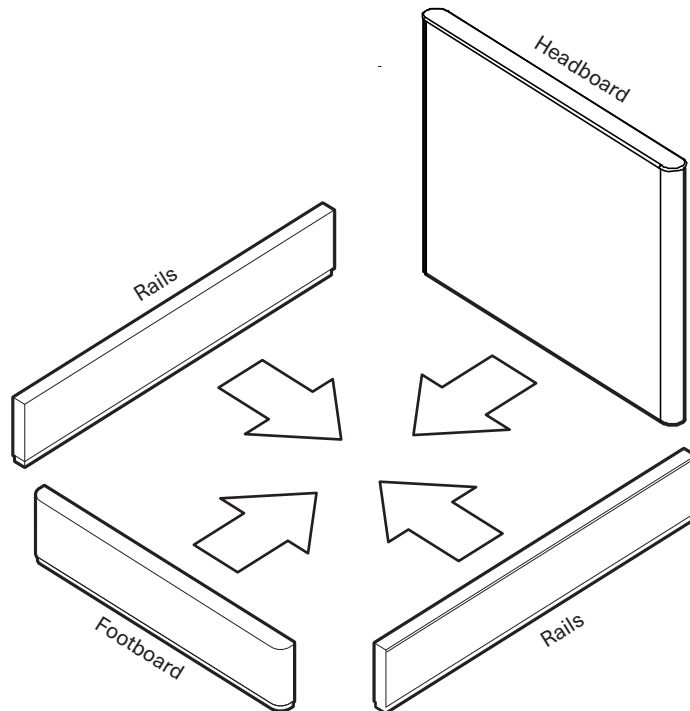
2 pcs



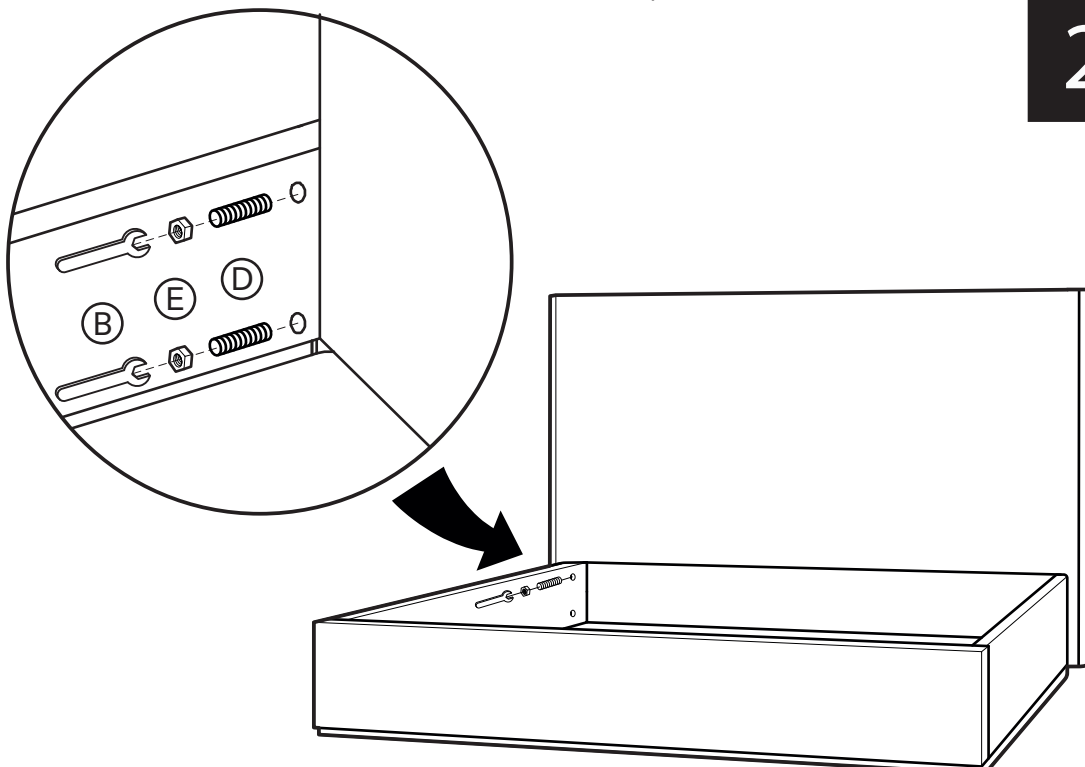
Note

1. Assemble the item on a soft, well-lit surface like cardboard or carpet.
2. For safety and efficiency, it's best to have two or more people assist with assembly to handle heavy parts safely and collaborate effectively.
3. Keep all packaging materials intact until assembly is complete.
4. Before assembling the item, carefully read all provided instructions.
5. Handle tools with care during assembly to prevent injuries.

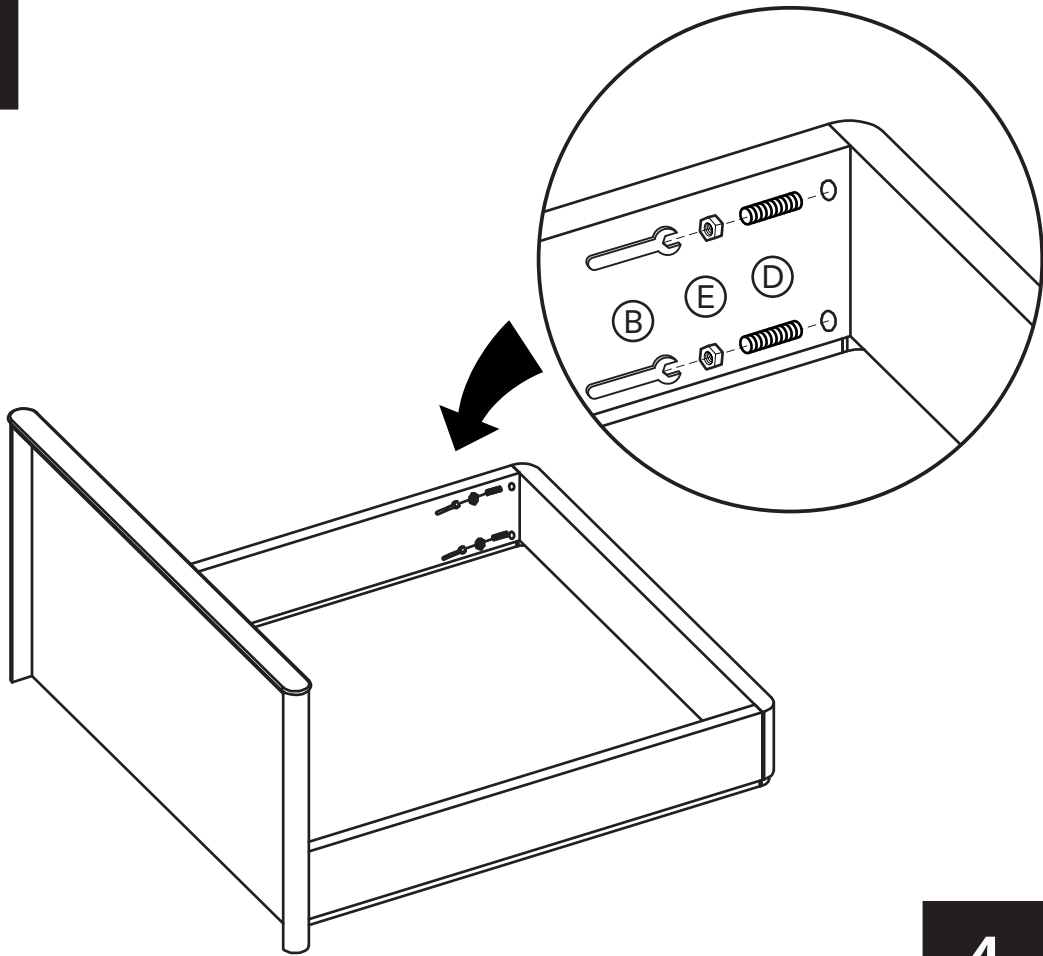
1



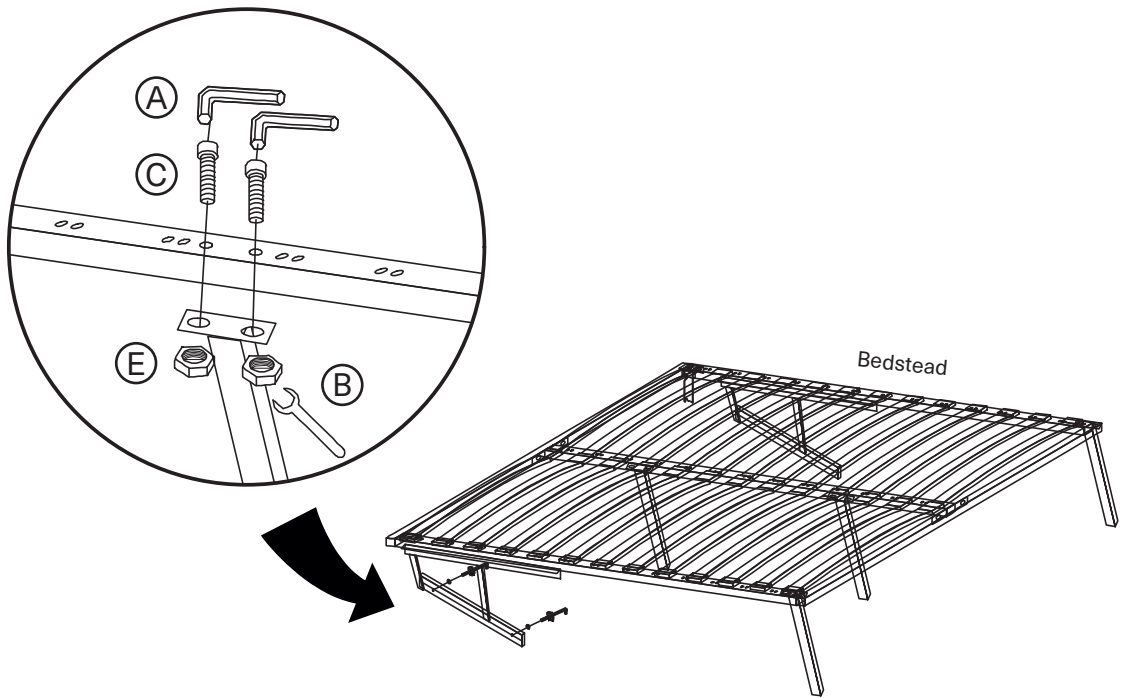
2



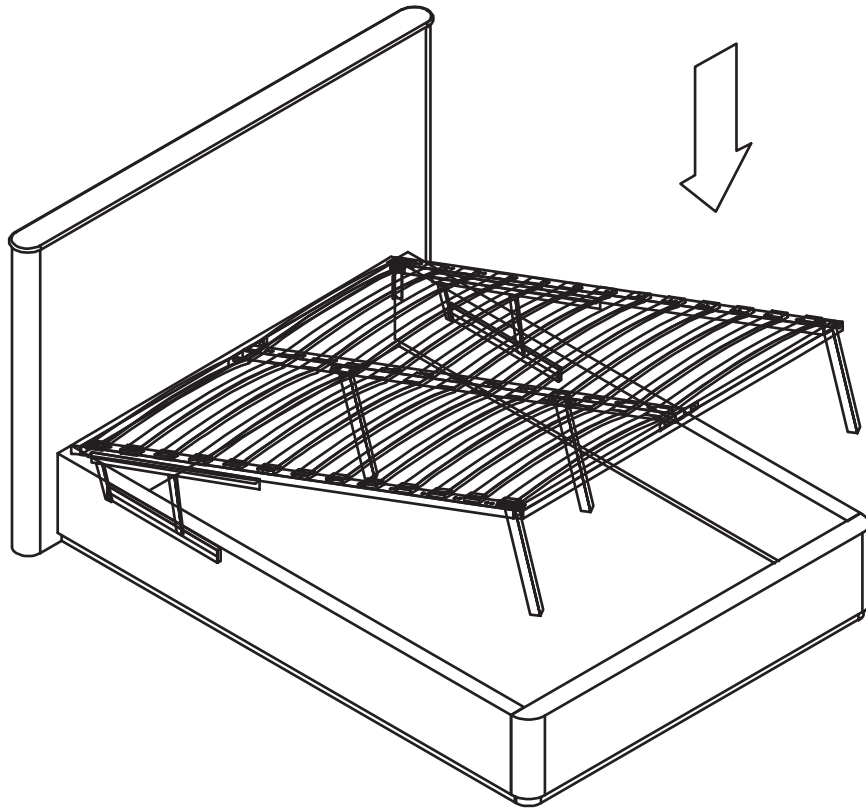
3



4



5



6

