

KOALA







L I V I N G

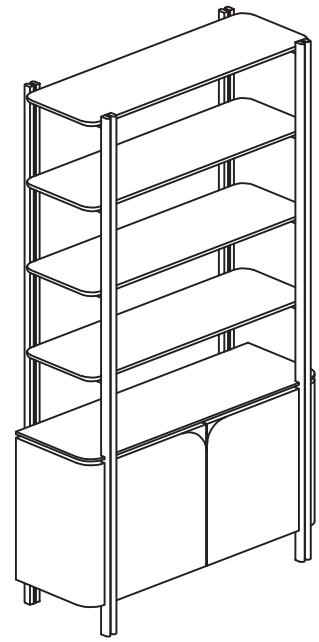
Assembly Instruction

Product Name: Portobello Toffee Brown Ash Veneer Shelf

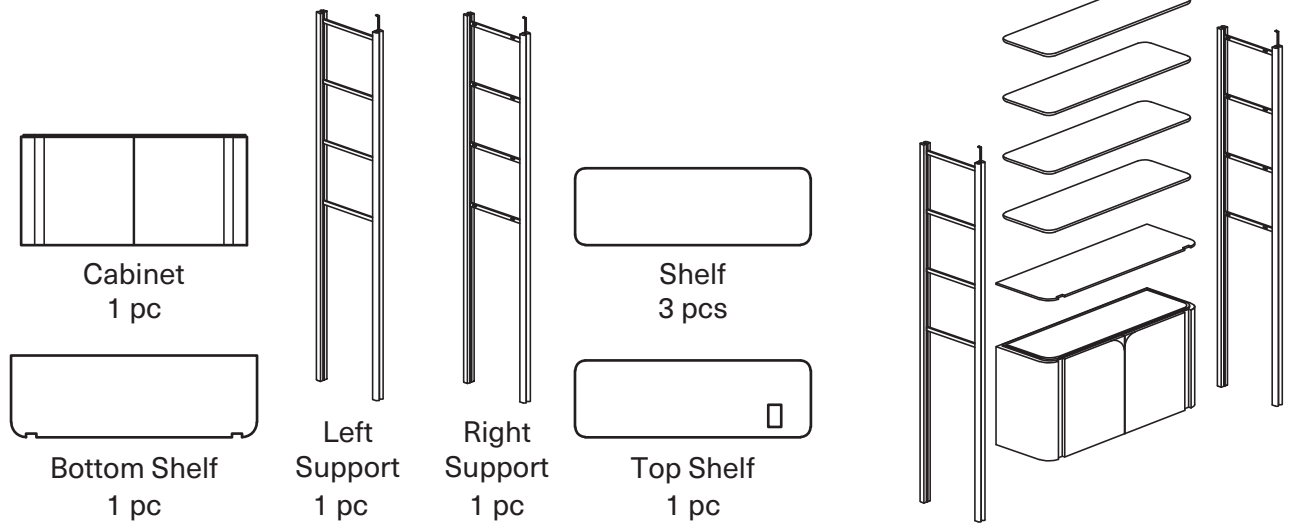
Product Id: 129397

Hardware List

- | | | | |
|---|---|----------------------|--------|
| A |  | Allen Key
4mm | 1 pc |
| B |  | Self Tapping
4x40 | 12 pcs |
| C |  | Self tapping
4x15 | 4 pcs |
| D |  | Allen Bolt
6x15 | 20 pcs |
| E |  | | 4 pcs |
| F |  | Already assembled! | 4 pcs |



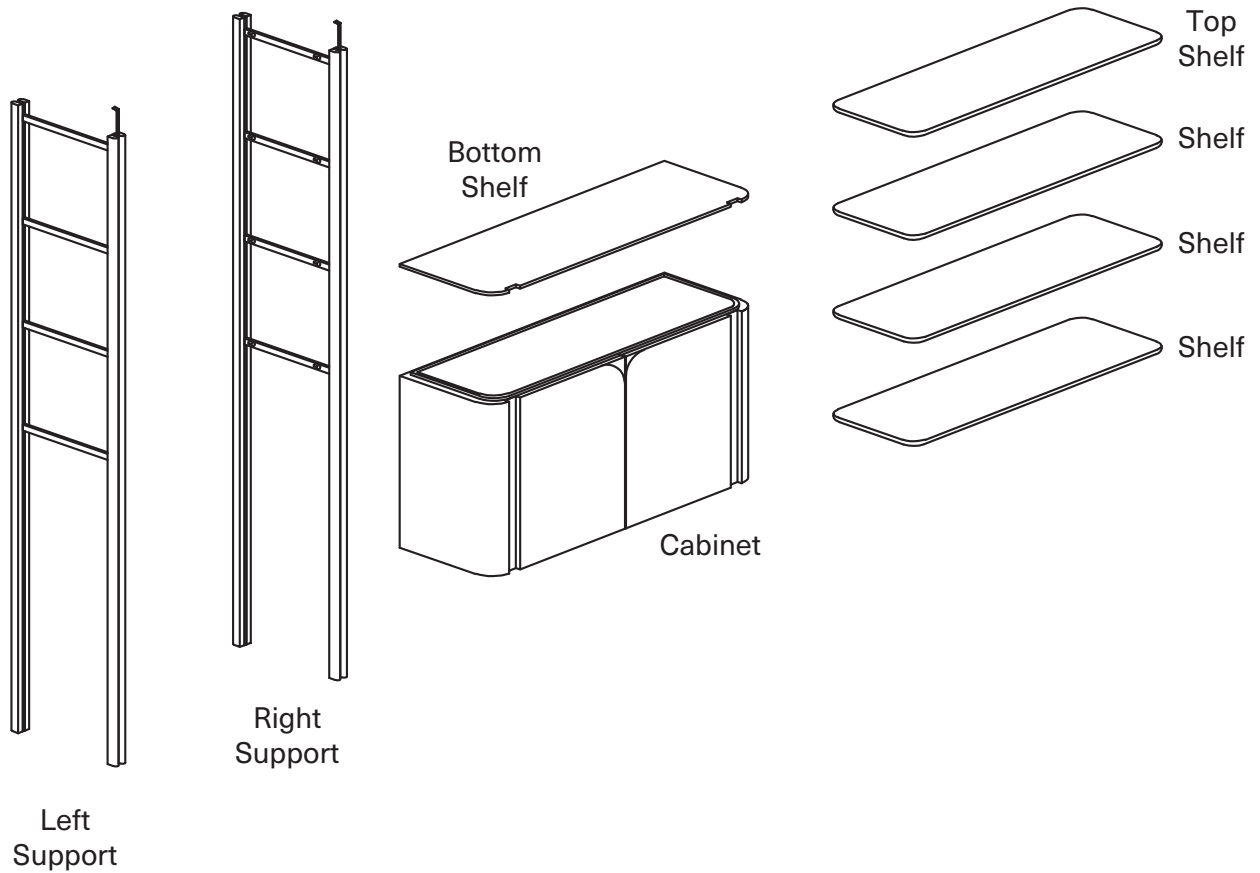
Part List



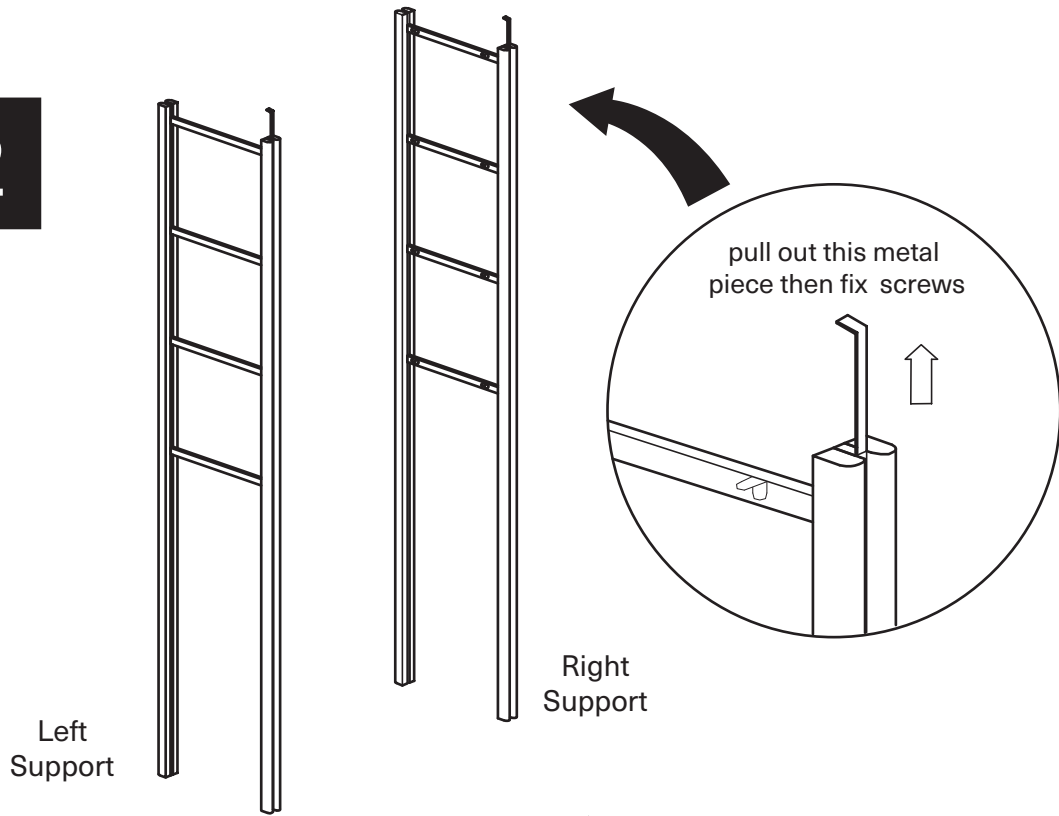
Note

1. Assemble the item on a soft, well-lit surface like cardboard or carpet.
2. For safety and efficiency, it's best to have two or more people assist with assembly to handle heavy parts safely and collaborate effectively.
3. Keep all packaging materials intact until assembly is complete.
4. Before assembling the item, carefully read all provided instructions.
5. Handle tools with care during assembly to prevent injuries.

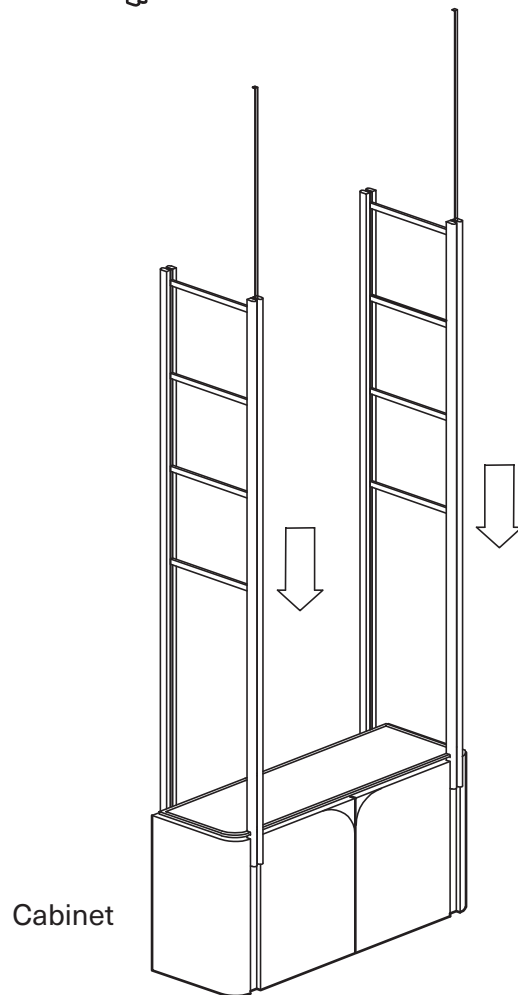
1



2

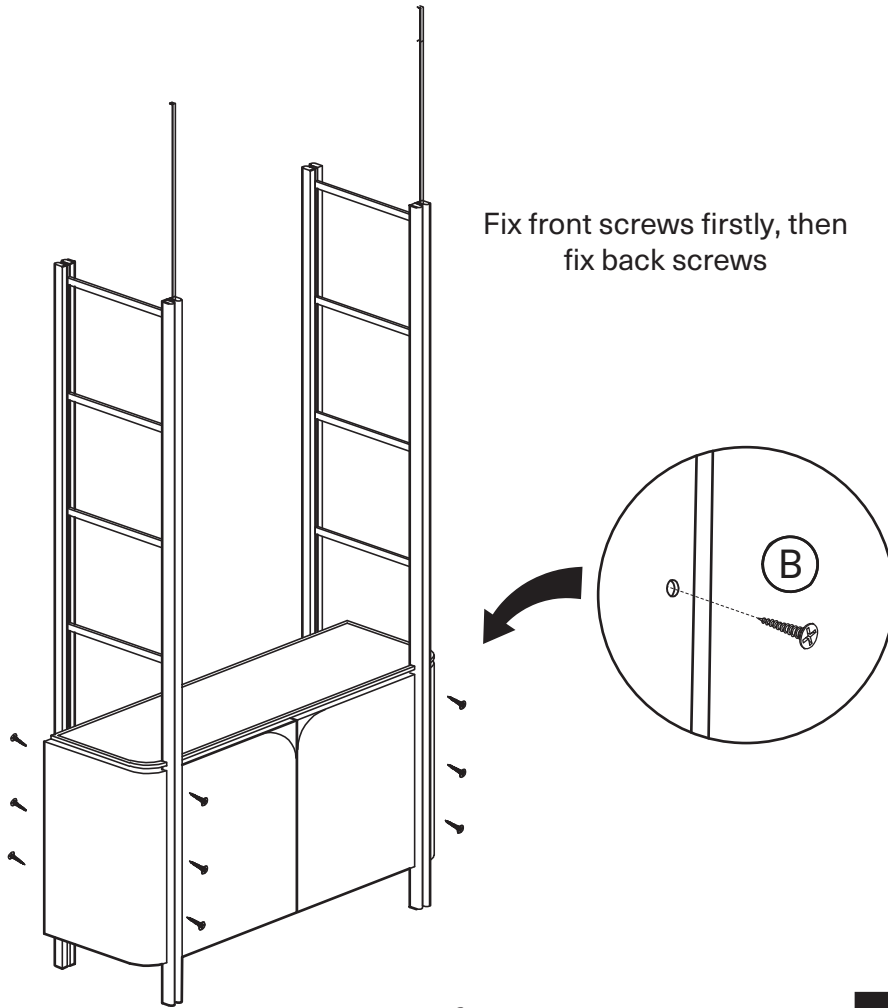


3

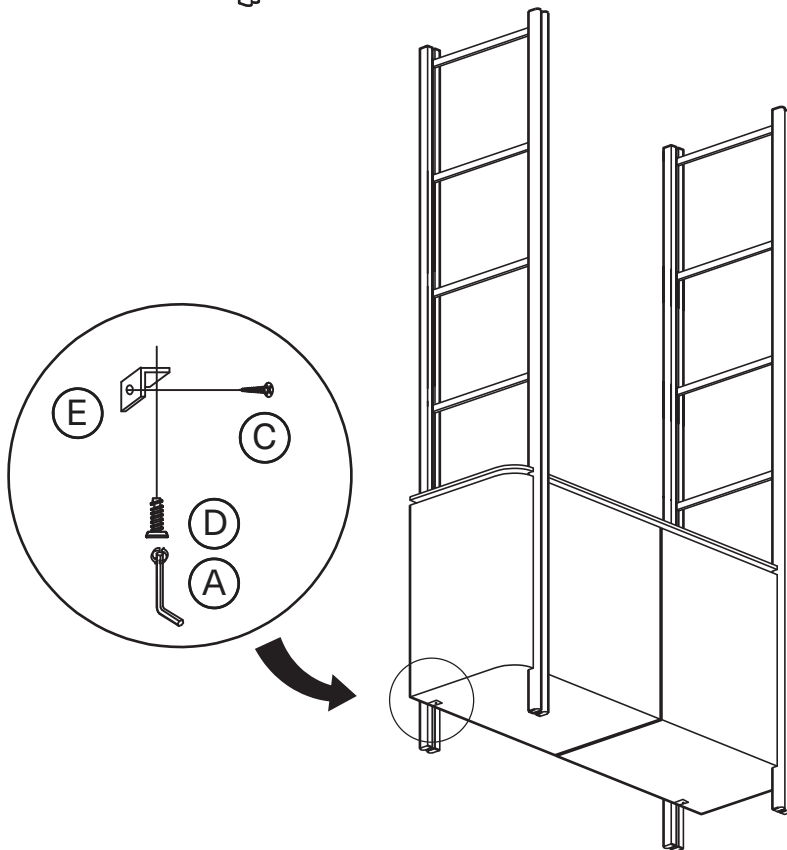


4

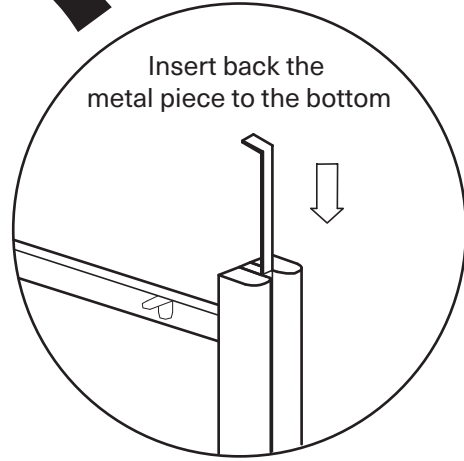
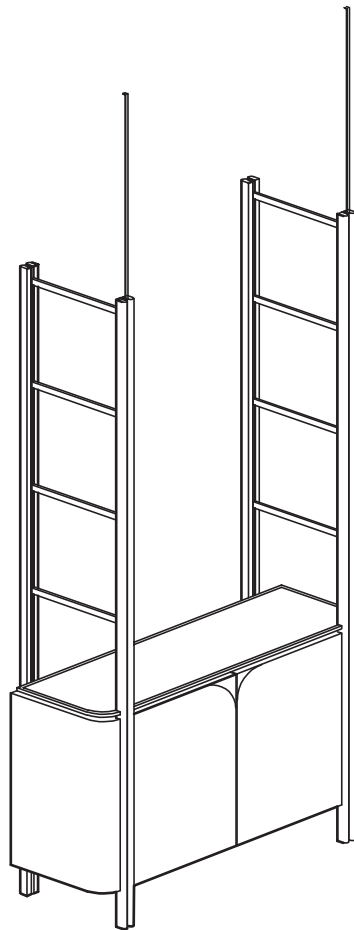
Fix front screws firstly, then
fix back screws



5

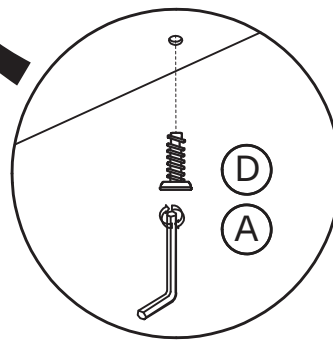
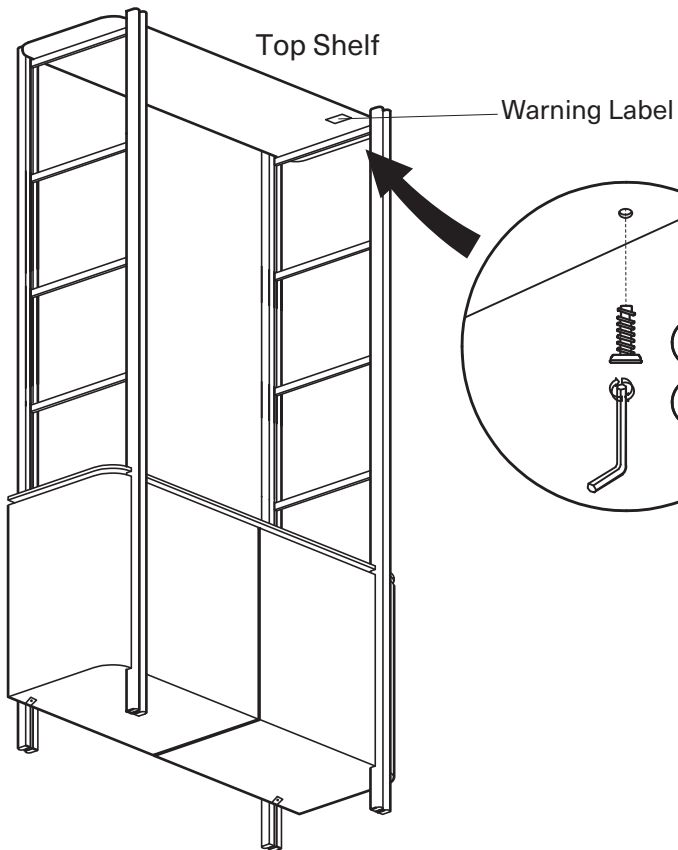


6

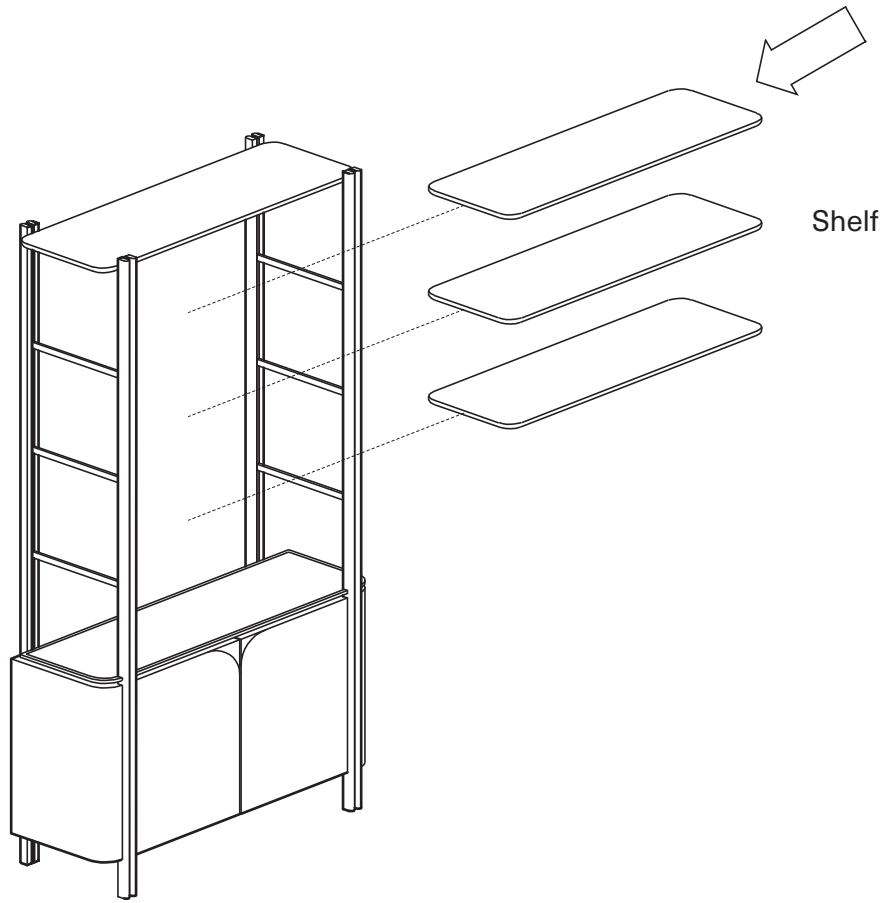


Insert back the metal piece to the bottom

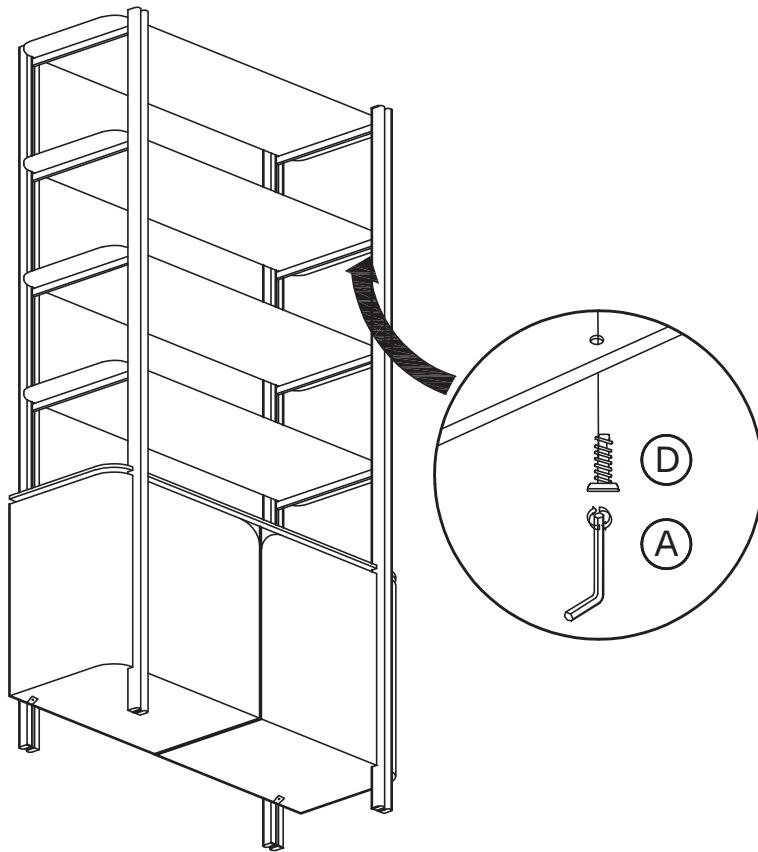
7



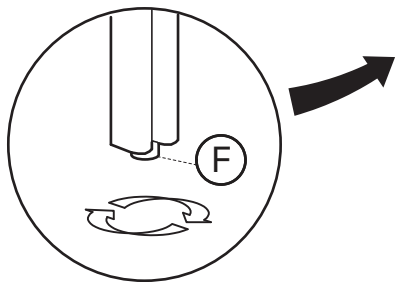
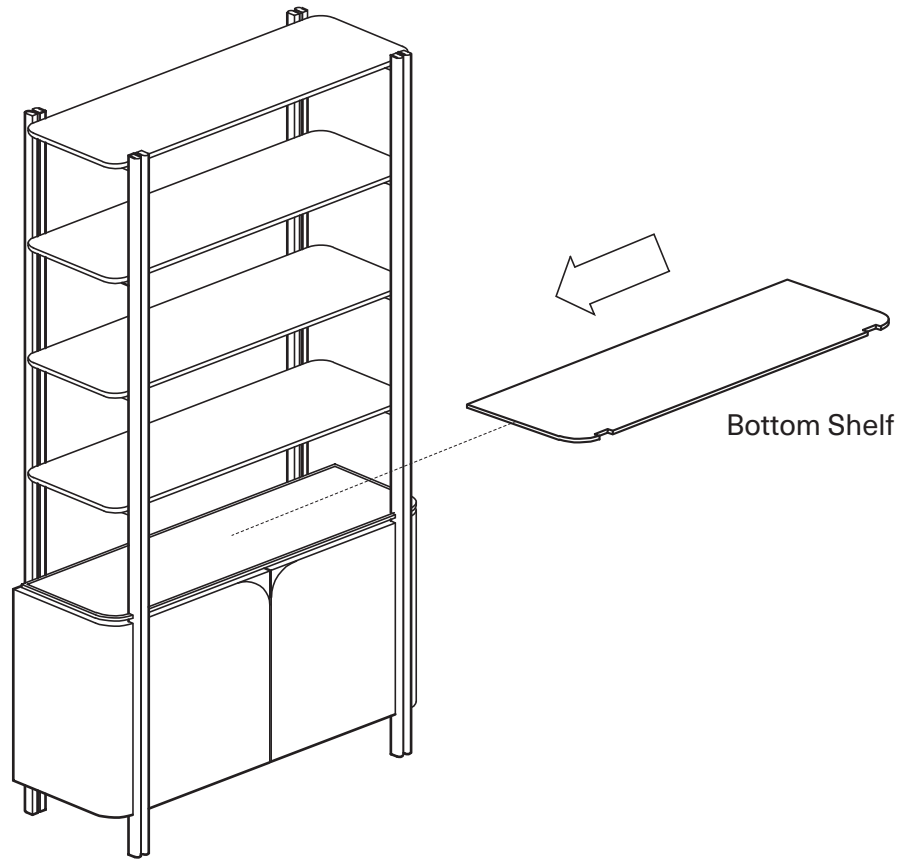
8



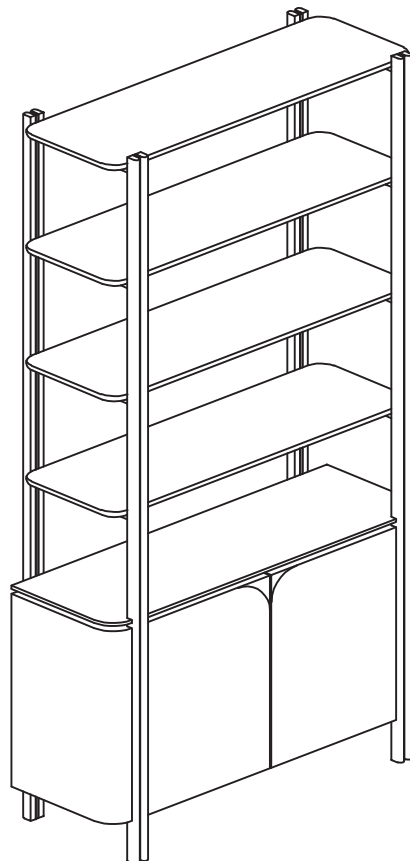
9








10

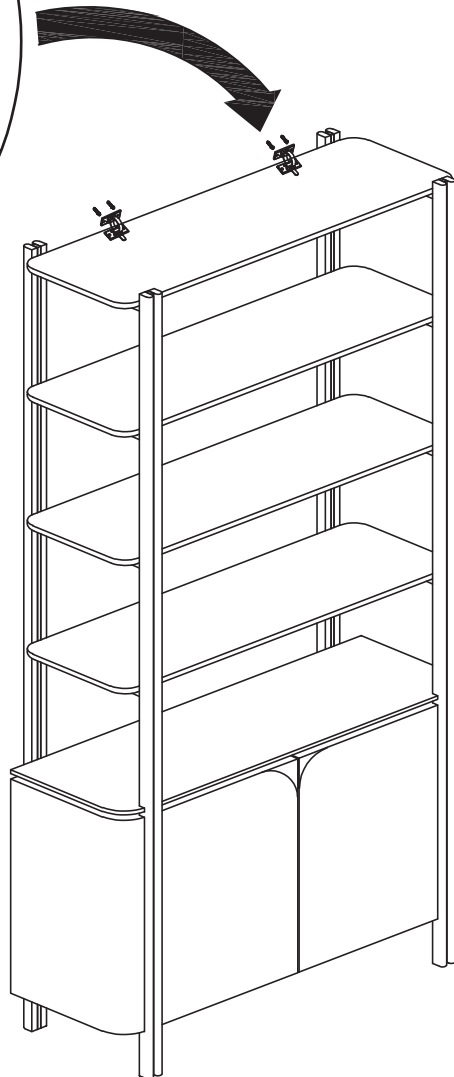
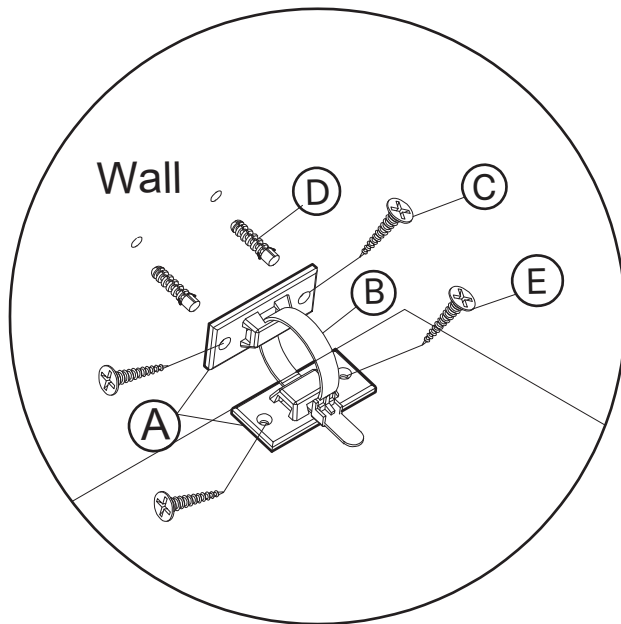


11



Anti-Tip Fixing Kit Assembly Instruction

A			4PCS
B			2PCS
C		4x35	4PCS
D			4PCS
E		4x16	4PCS



If the Anti-Tip Fixing kit is not completed, this voids any warranty