

# KOALA







## L I V I N G

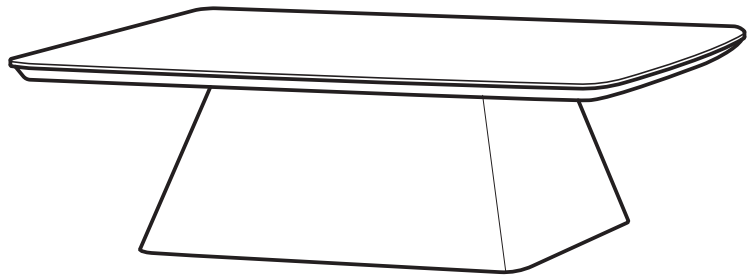
### Assembly Instruction

Product Name: Dunstan Calacatta Viola Sintered Stone Coffee Table  
Medium Brown Wooden Legs

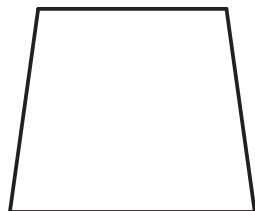
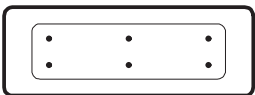
Product Id: 129346

#### Hardware List

A		Allen Key 5mm	1 pc
B		Allen Key 4mm	1 pc
C		Allen Bolt 8*35	6 pcs
D		Washer 8*19	6 pcs
E		Allen Bolt 6*25	6 pcs
F		Washer 6*16	6 pcs



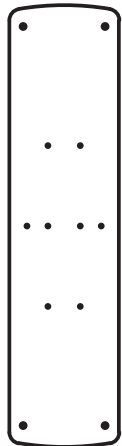
#### Part List



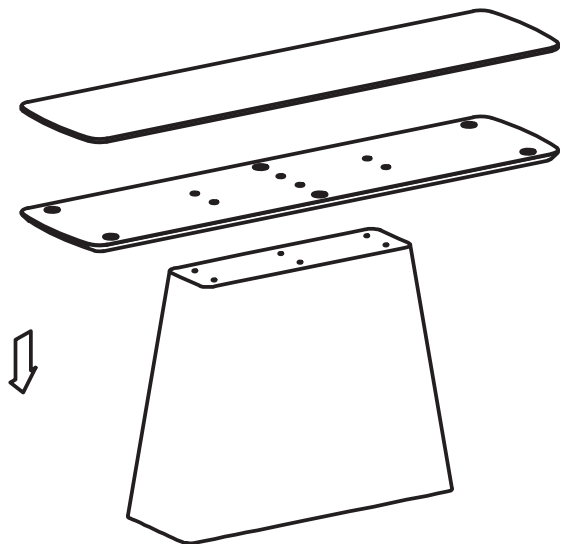
Base  
1 pc



Top  
1 pc



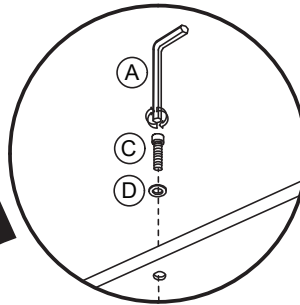
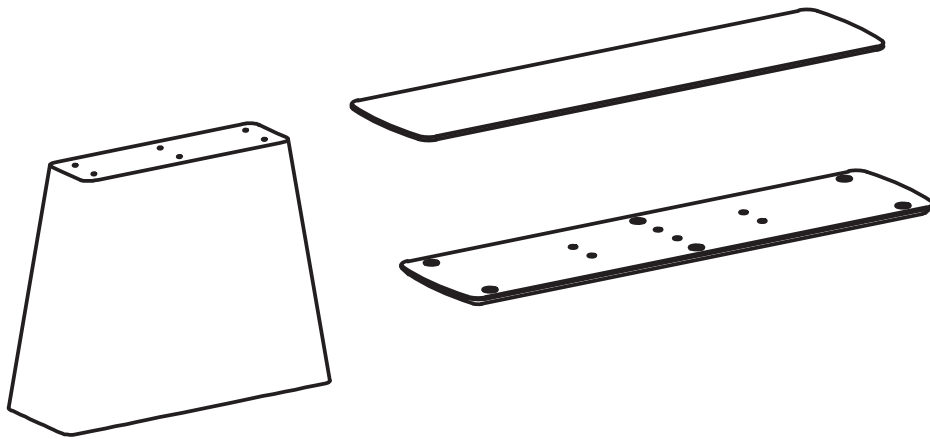
Frame  
1 pc



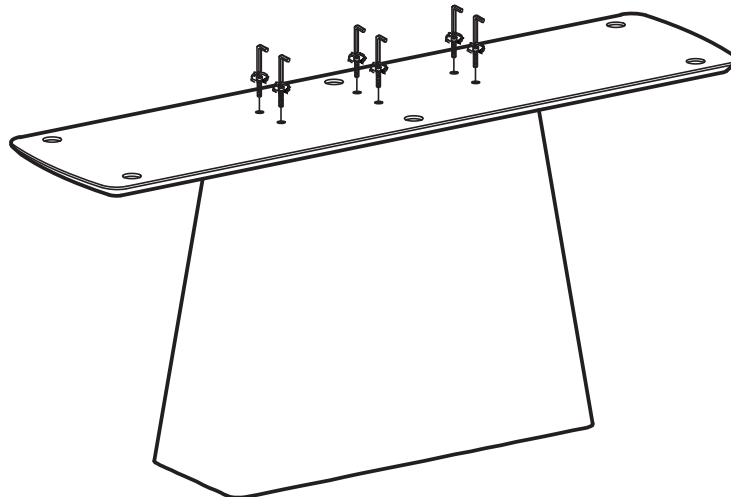
## Note

1. Assemble the item on a soft, well-lit surface like cardboard or carpet.
2. For safety and efficiency, it's best to have two or more people assist with assembly to handle heavy parts safely and collaborate effectively.
3. Keep all packaging materials intact until assembly is complete.
4. Before assembling the item, carefully read all provided instructions.
5. Handle tools with care during assembly to prevent injuries.

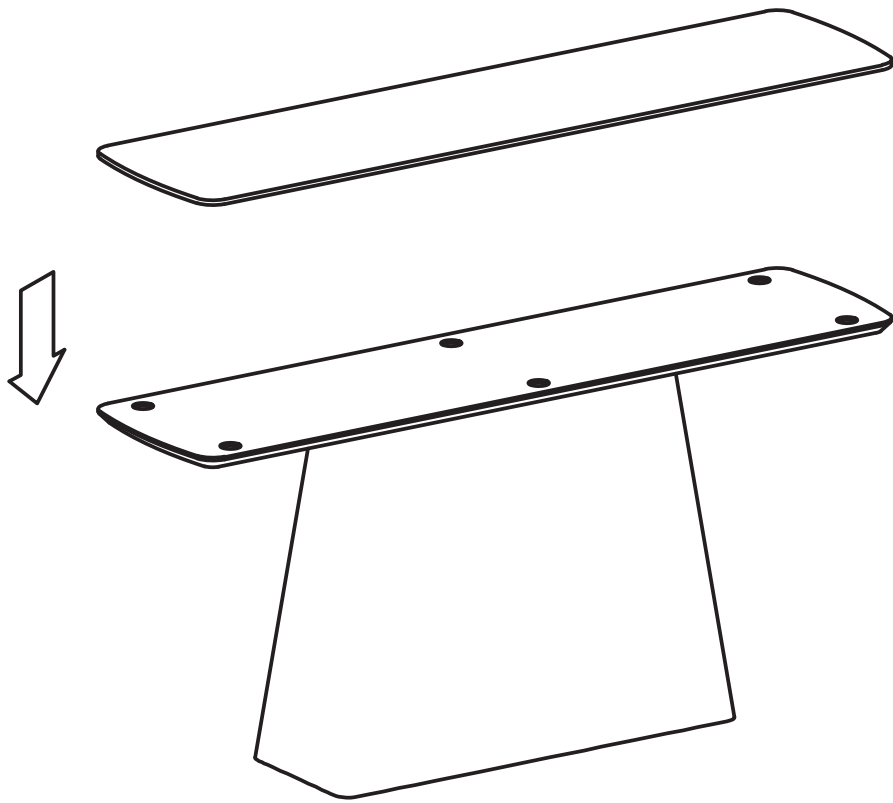
1



2



3



4

