

KOALA







L I V I N G


Assembly Instruction

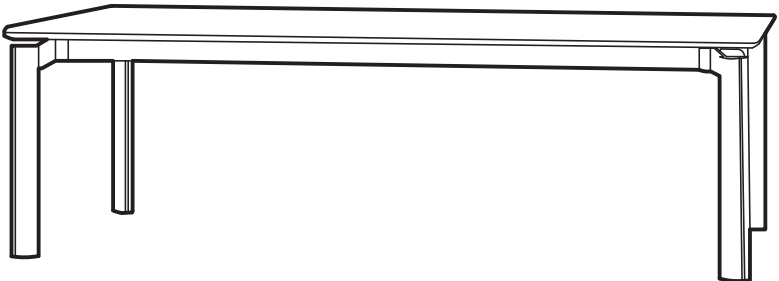
Product Name: Portobello II Pandora Brown Sintered Stone Top Dining Table

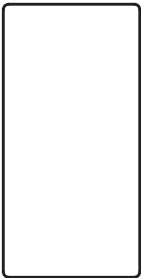
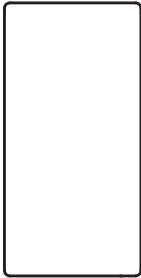
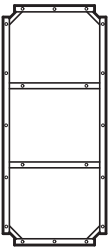

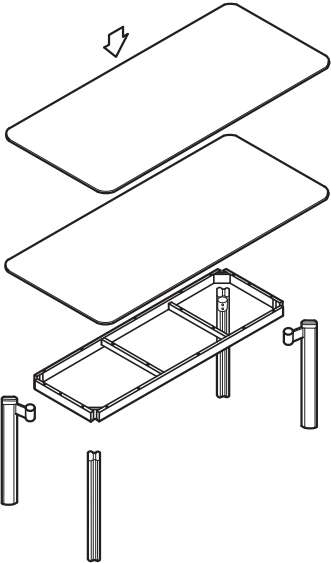
Light Brown Ash Legs

Product Id: 129314

Hardware List			
A		Allen Key 5mm	1 pc
B		Allen Key 4mm	1 pc
C		Allen Bolt M8*90	16 pcs
D		Allen Bolt M8*50	12 pcs
E		Allen Bolt 6*16	10 pcs
F		Washer 8*20	8 pcs



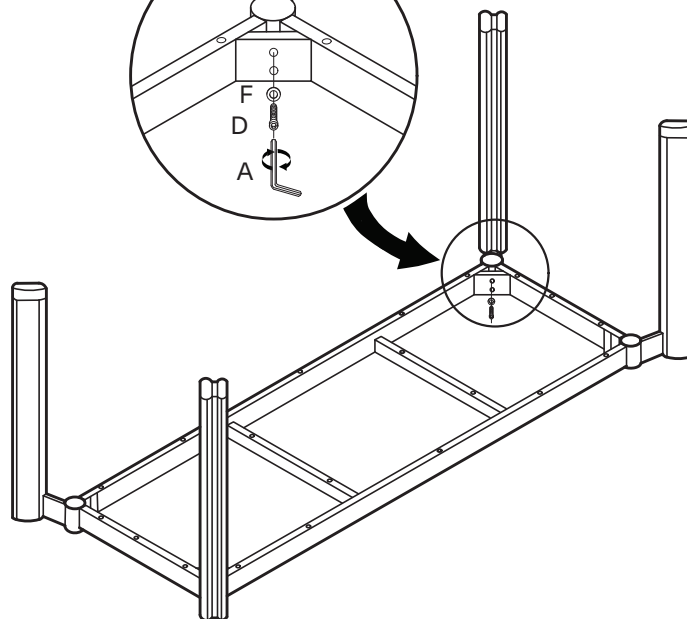
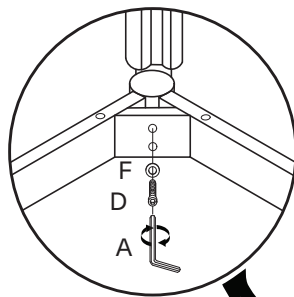
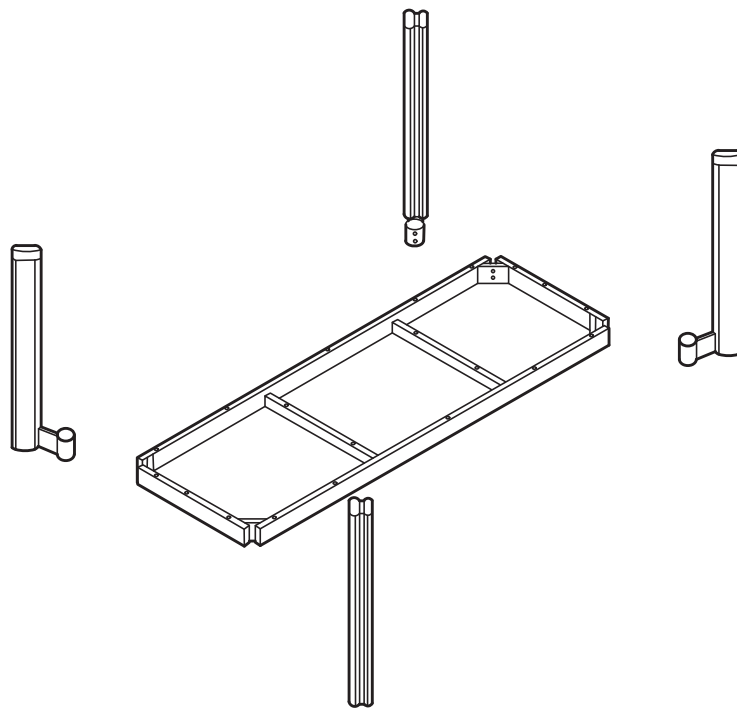


Part List				
				
1 pc	1 pc	1 pc	4 pcs	

Note

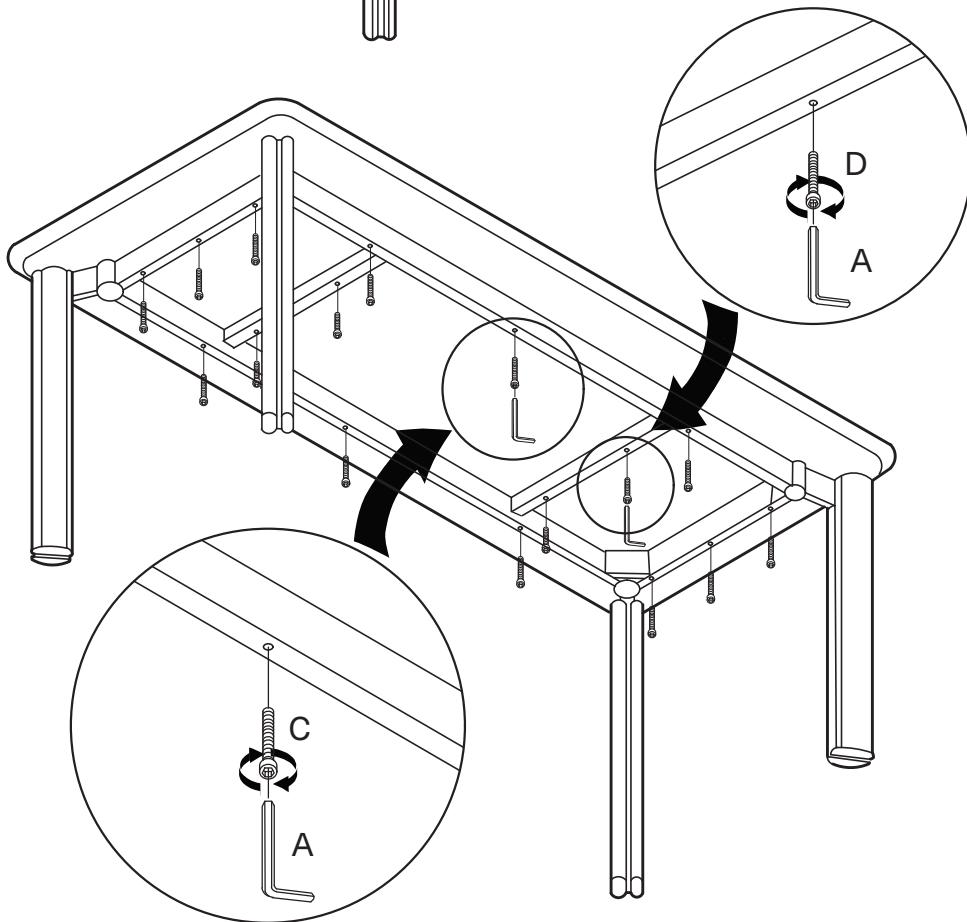
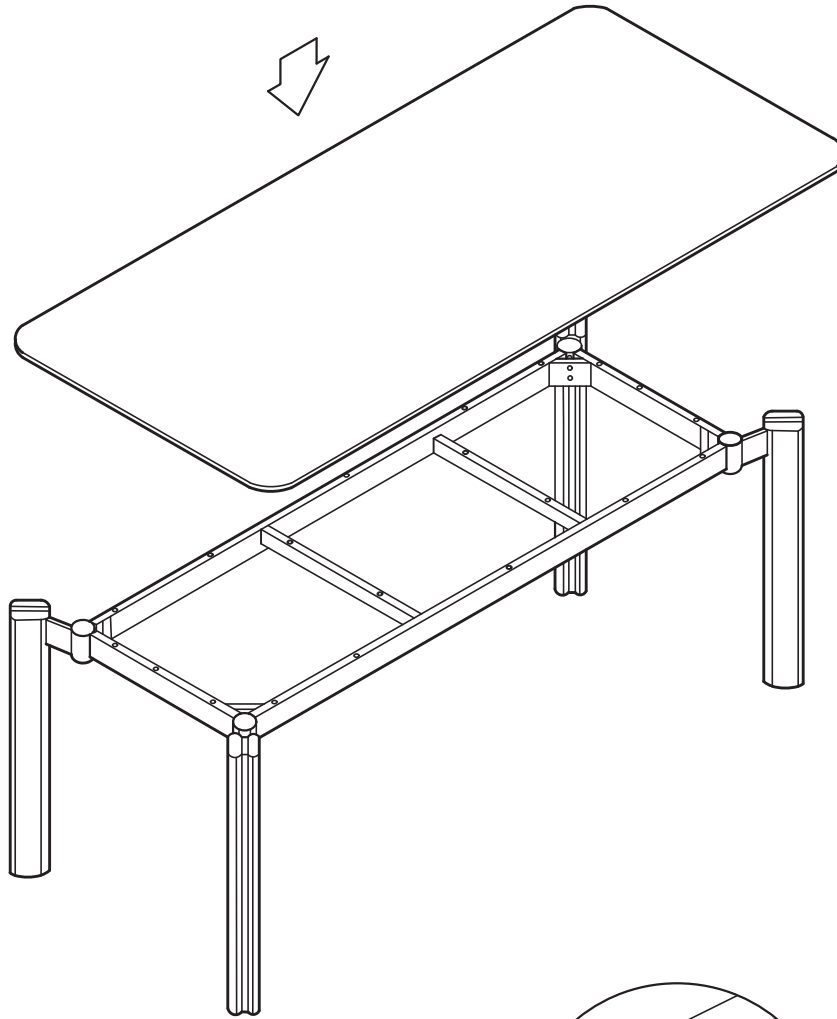
1. Assemble the item on a soft, well-lit surface like cardboard or carpet.
2. For safety and efficiency, it's best to have two or more people assist with assembly to handle heavy parts safely and collaborate effectively.
3. Keep all packaging materials intact until assembly is complete.
4. Before assembling the item, carefully read all provided instructions.
5. Handle tools with care during assembly to prevent injuries.

1



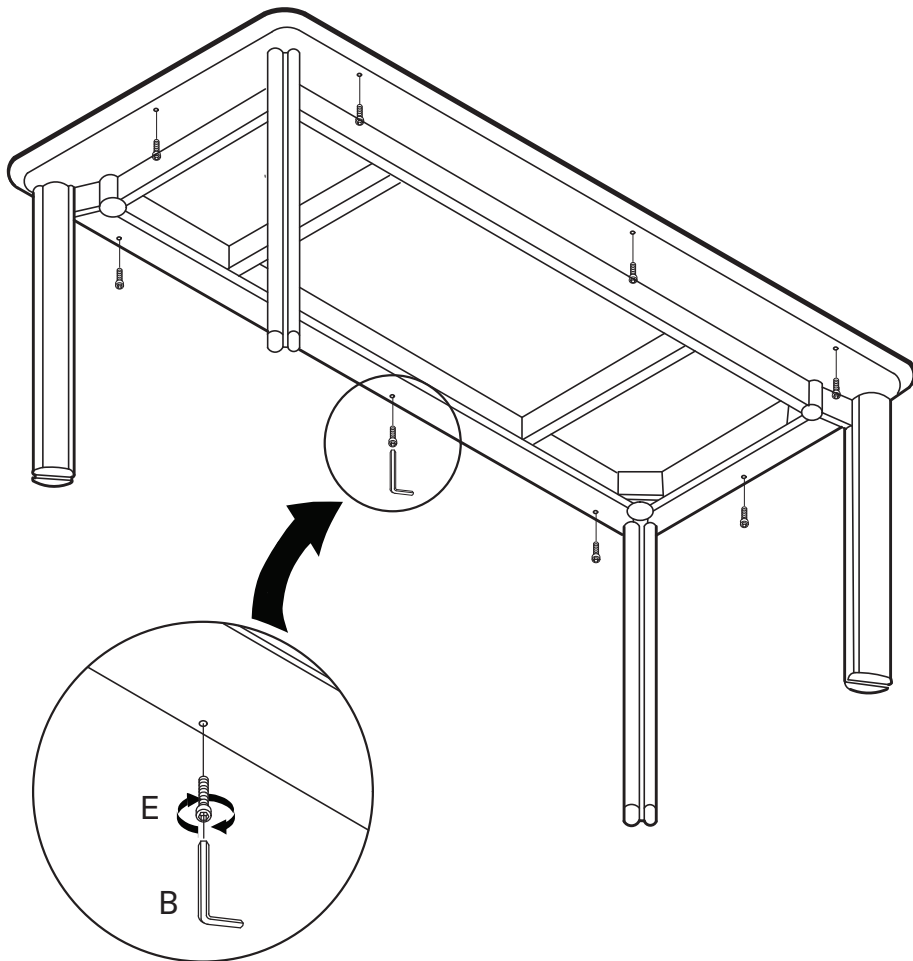
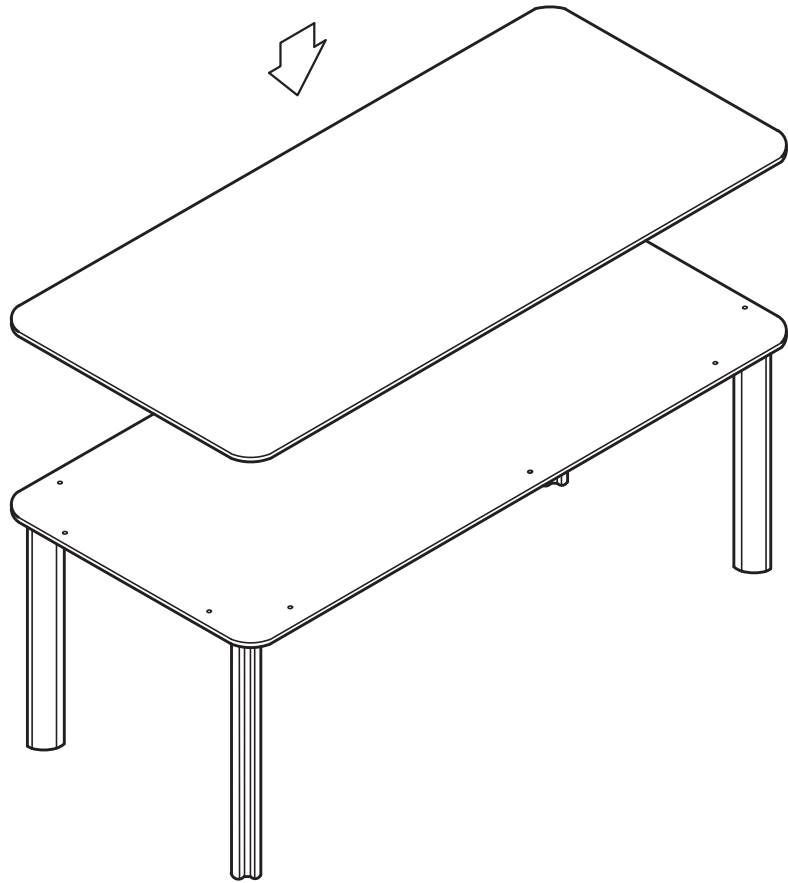
2

3



4

5



6