




KOALA

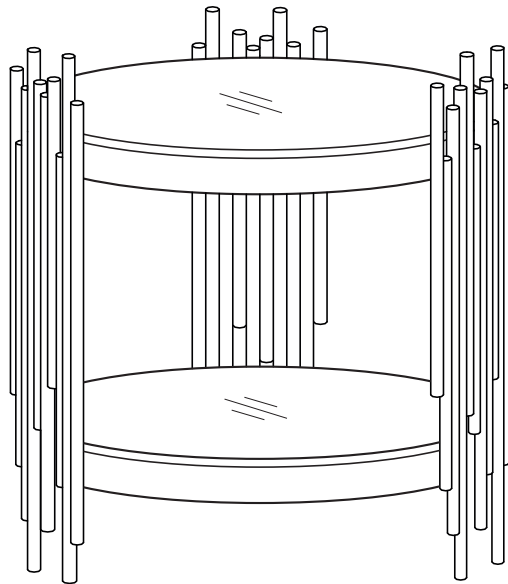
L I V I N G

Assembly Instruction

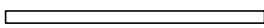
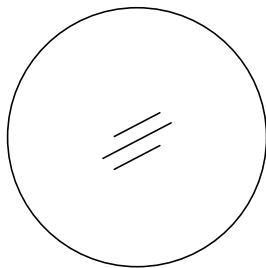
Product Name: Lindsay Polished Champagne Gold Stainless Steel
Round Side Table - Smoke Glass Top
Product Id: 129234

Hardware List

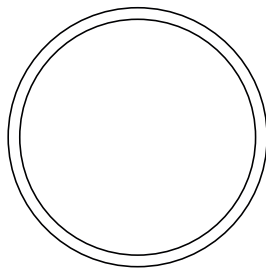
- A  Allen Key 1 pc
- B  Allen Bolt M6x10mm 12 pcs
- C  Silicon Pad 12x2mm 8 pcs



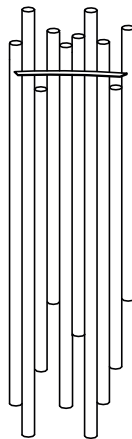
Part List



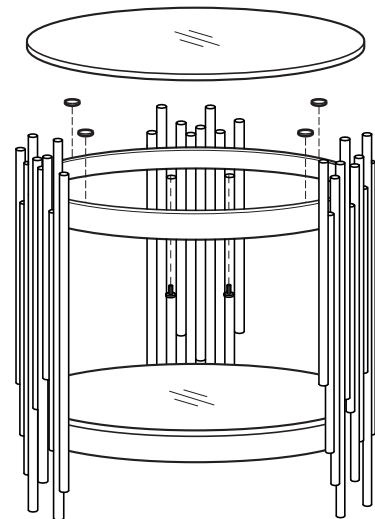
Smoke Glass Top
2 pcs



Steel Frame
2 pcs



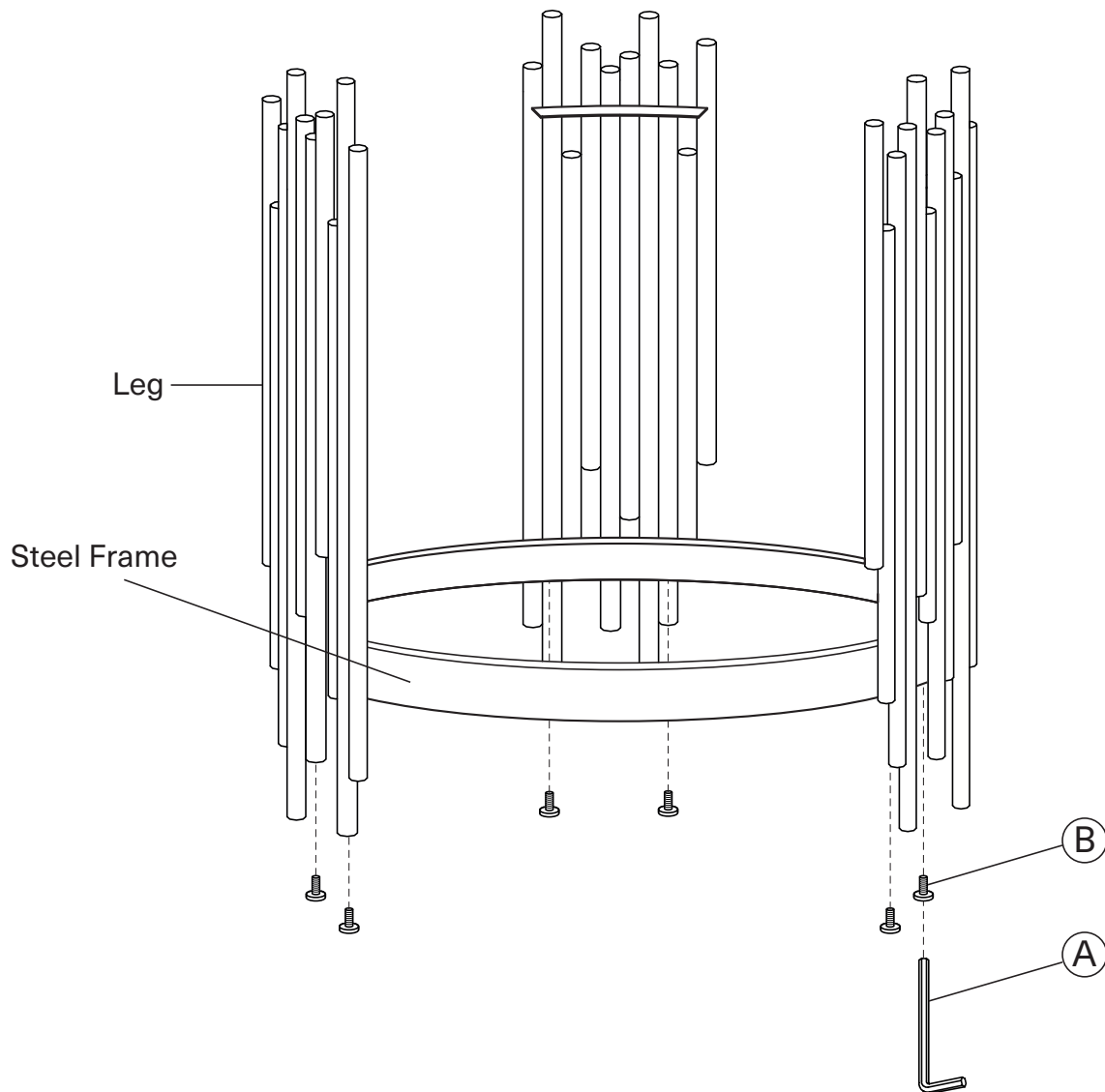
Leg
3 pcs



Note

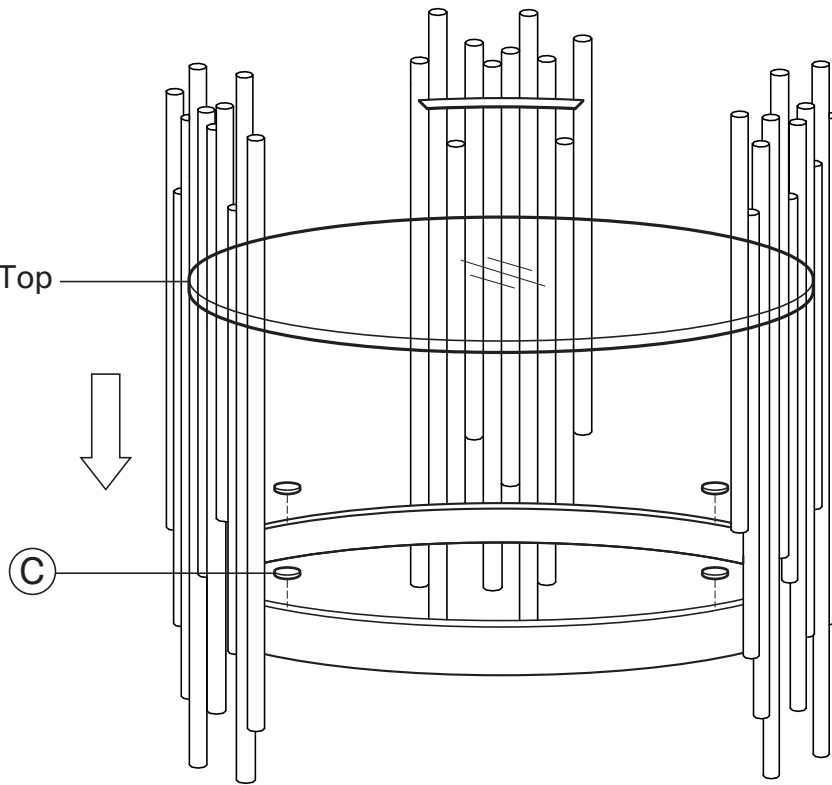
1. Assemble the item on a soft, well-lit surface like cardboard or carpet.
2. For safety and efficiency, it's best to have two or more people assist with assembly to handle heavy parts safely and collaborate effectively.
3. Keep all packaging materials intact until assembly is complete.
4. Before assembling the item, carefully read all provided instructions.
5. Handle tools with care during assembly to prevent injuries.

1

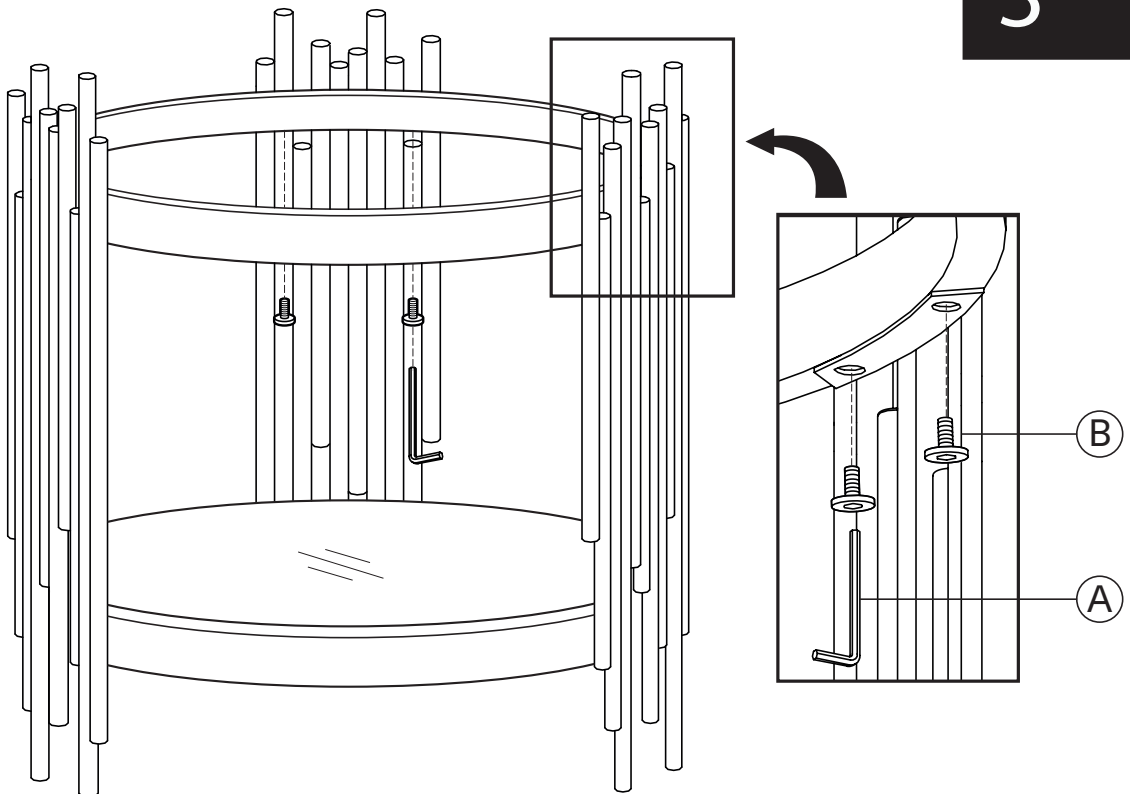


2

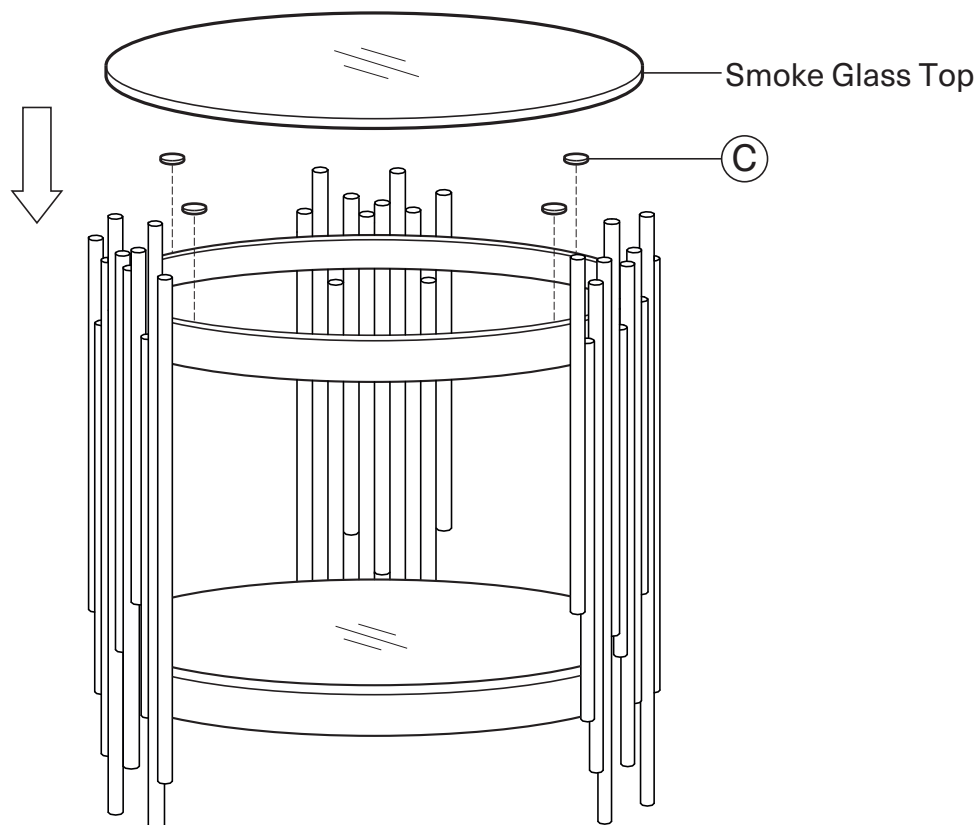
Smoke Glass Top



3



4



5

