

KOALA

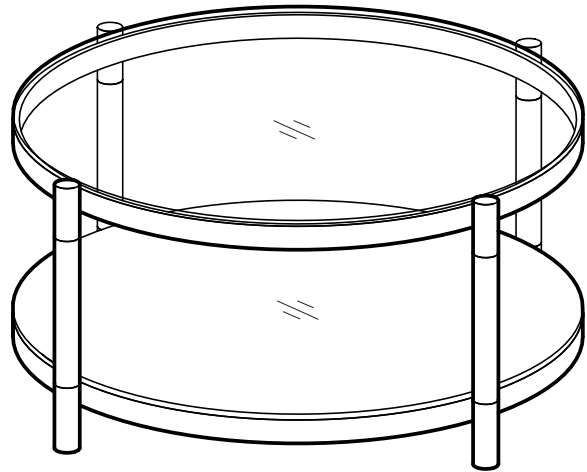
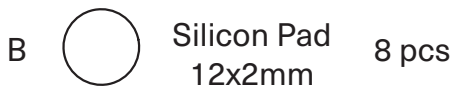
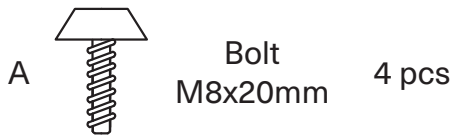
L I V I N G

Assembly Instruction

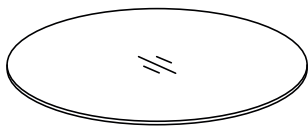
Product Name: Aurn Polished Champagne Gold Stainless Steel Coffee Table

Product Id: 129225

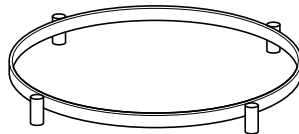
Hardware List



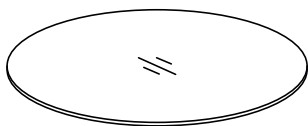
Part List



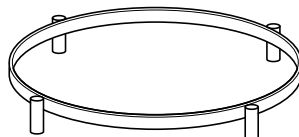
Glass
1 pc



Top Steel Frame
1 pc



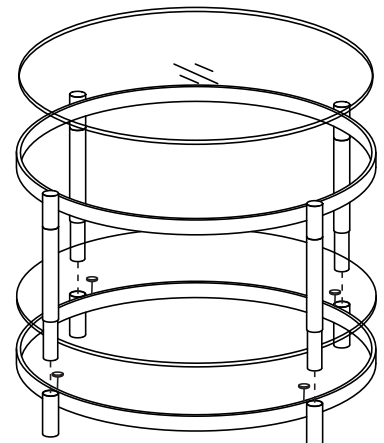
Mirror
1 pc



Bottom Steel Frame
1 pc



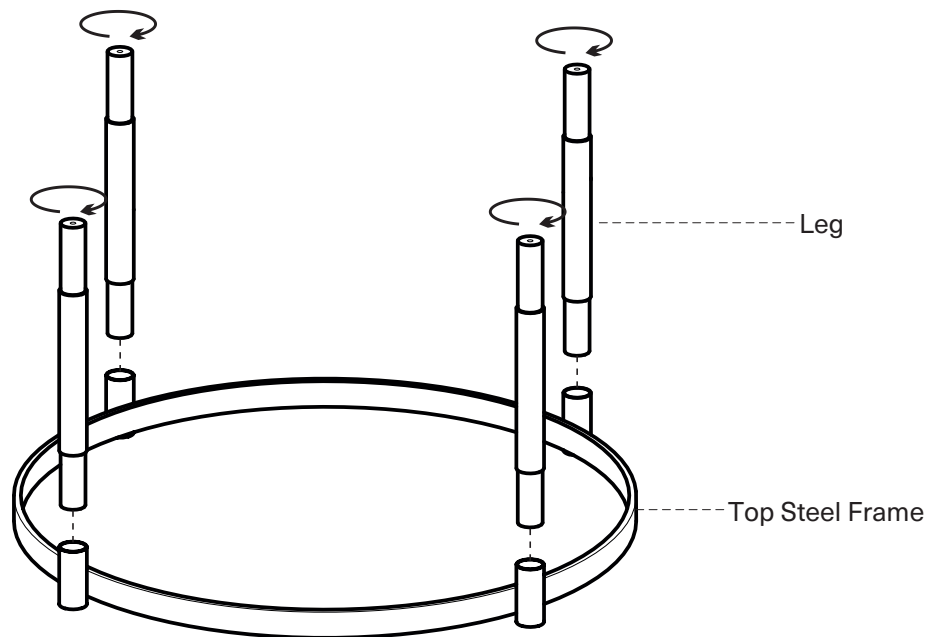
Leg
4 pcs



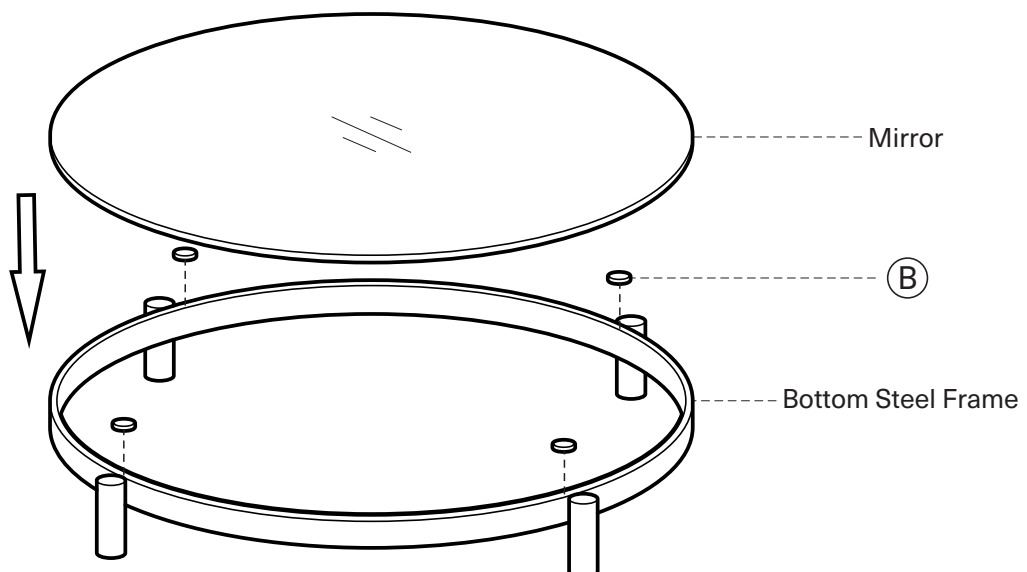
Note

1. Assemble the item on a soft, well-lit surface like cardboard or carpet.
2. For safety and efficiency, it's best to have two or more people assist with assembly to handle heavy parts safely and collaborate effectively.
3. Keep all packaging materials intact until assembly is complete.
4. Before assembling the item, carefully read all provided instructions.
5. Handle tools with care during assembly to prevent injuries.

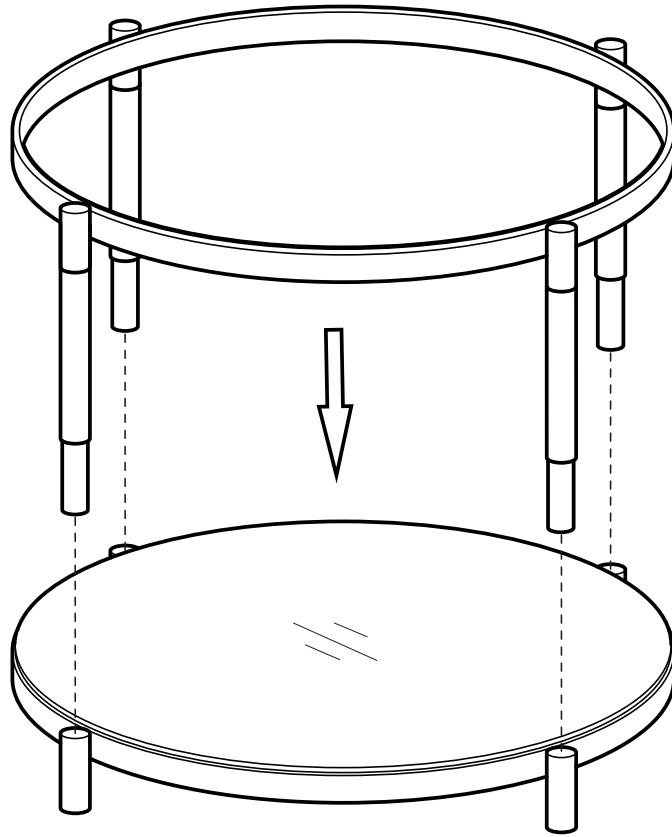
1



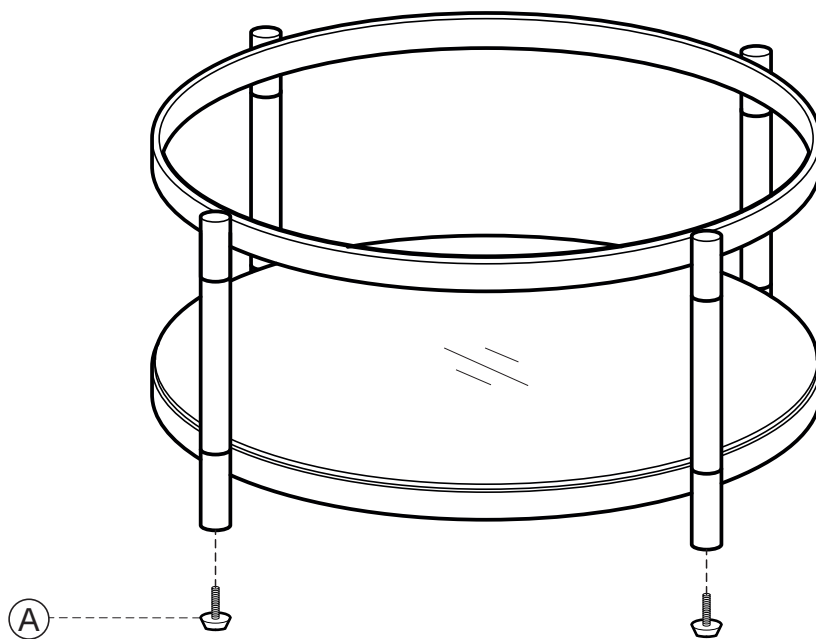
2



3

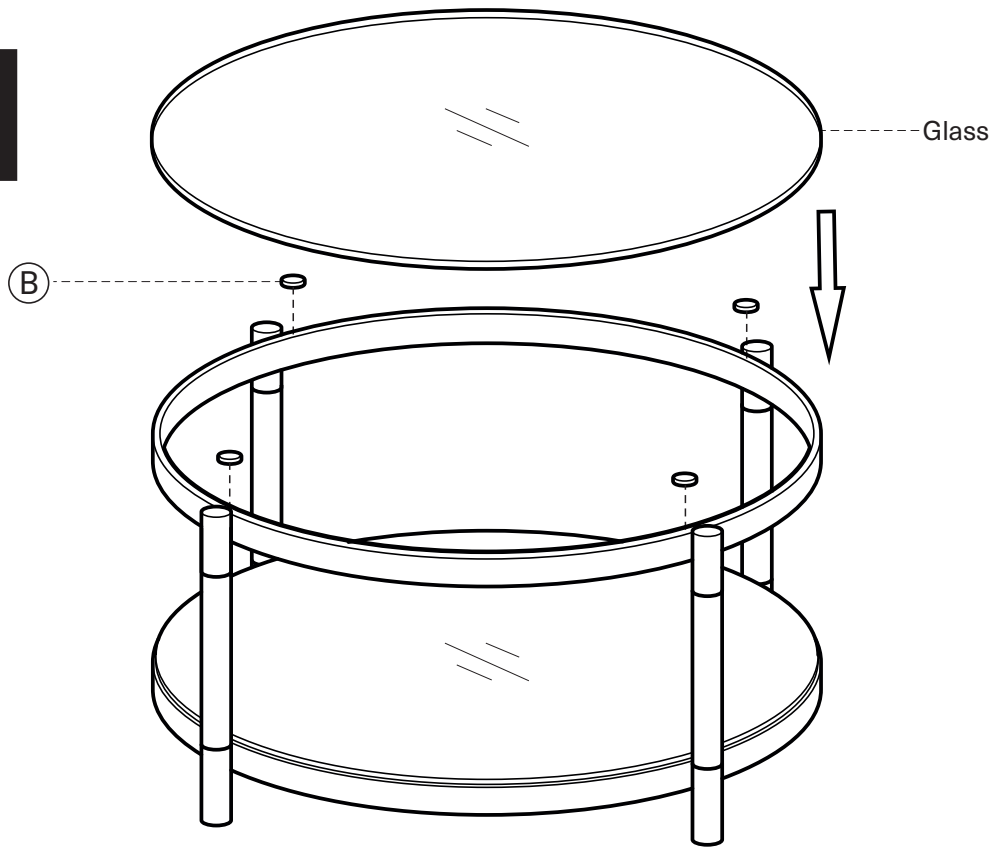


4



A

5



6

