






KOALA

L I V I N G

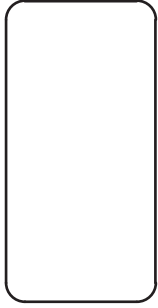



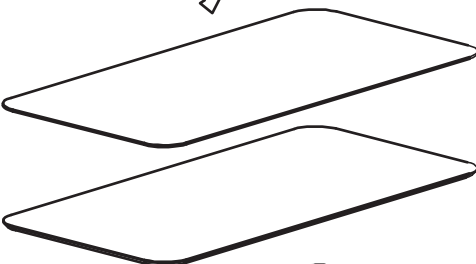
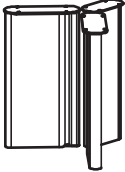
Assembly Instruction

Product Name: Sir Lionell Gliding White Sintered Stone Rectangular Dining Table
Walnut Brown Wooden Legs 240x120x75cm

Product Id: 129199

Hardware List			
A		Allen Key 5mm	1 pc
B		Allen Key 4mm	1 pc
C		Allen Bolt 8*20	24 pcs
D		Washer 6*16	10 pcs
E		Allen Bolt 6*25	10 pcs

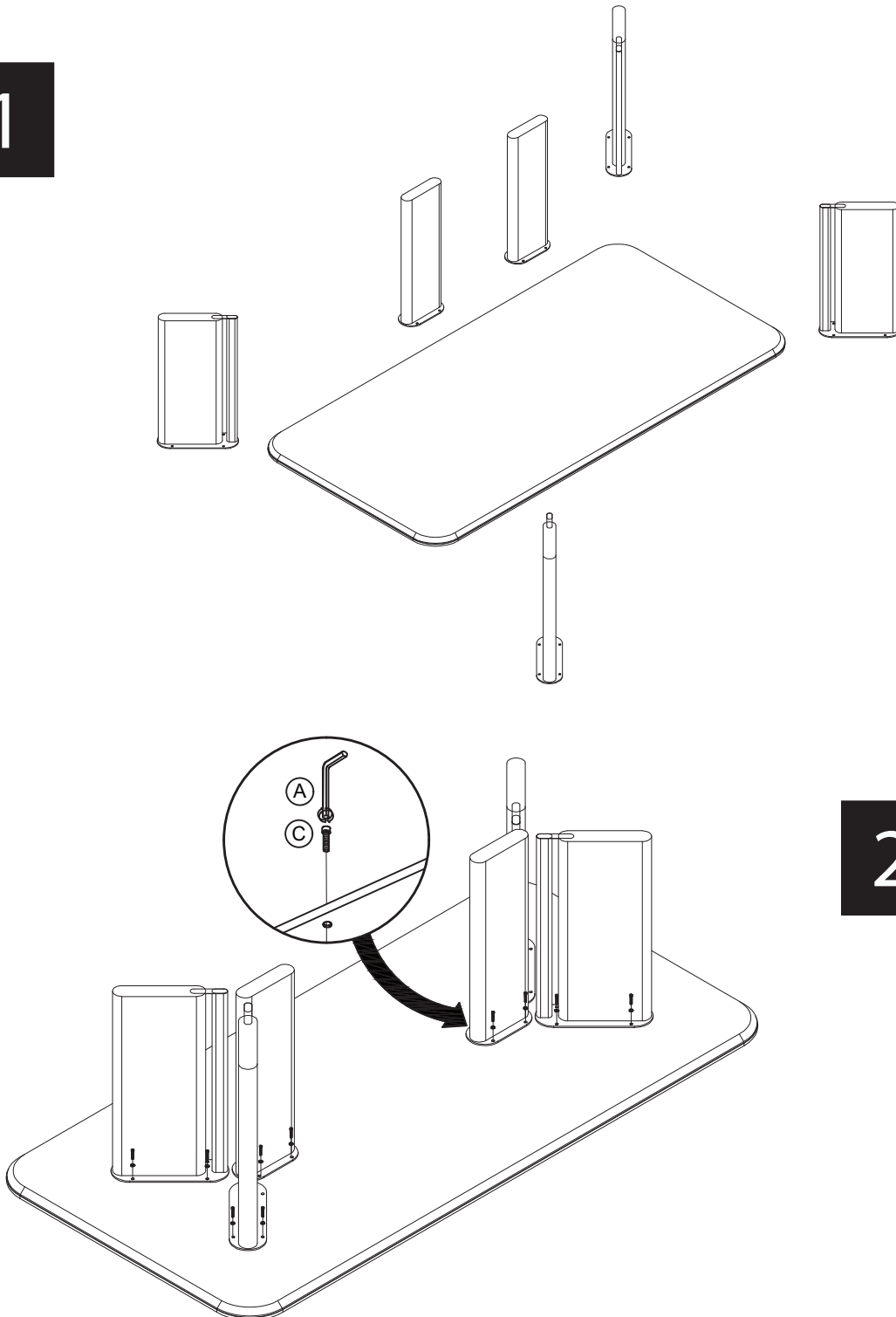


Part List					
					
1 pcs	1 pcs	2 pcs	4 pcs		

Note

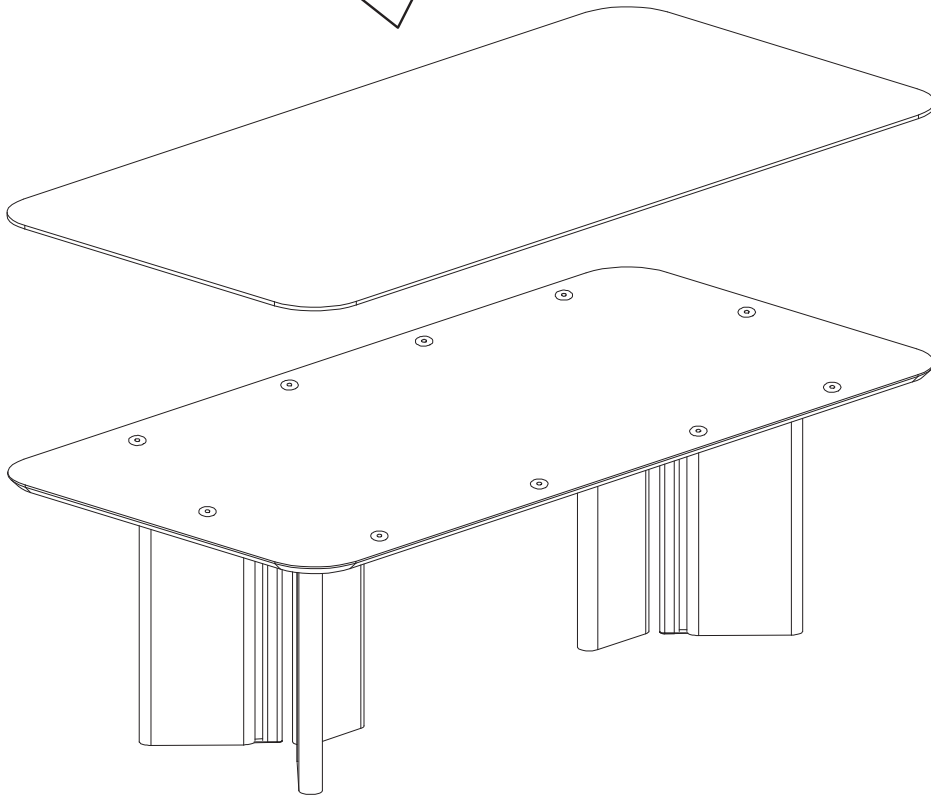
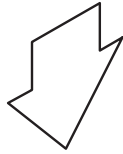
1. Assemble the item on a soft, well-lit surface like cardboard or carpet.
2. For safety and efficiency, it's best to have two or more people assist with assembly to handle heavy parts safely and collaborate effectively.
3. Keep all packaging materials intact until assembly is complete.
4. Before assembling the item, carefully read all provided instructions.
5. Handle tools with care during assembly to prevent injuries.

1



2

3



4

