

# KOALA







## L I V I N G


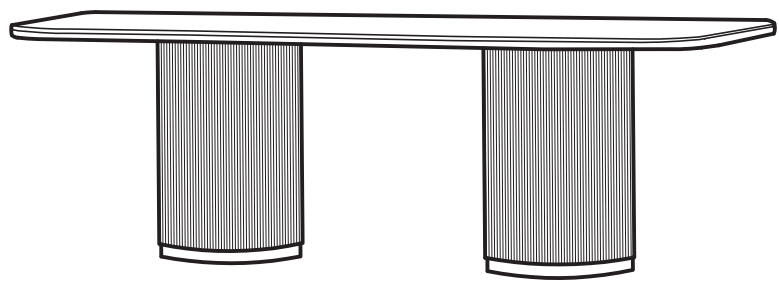
### Assembly Instruction

Product Name: San Pierre Walnut Veneer Dining Table - Two Legs - Travertine Finish Sintered Stone Top


Product Id: 129168

#### Hardware List

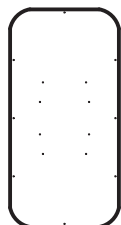
A		Allen Key 5mm	1 pc
D		Allen Key 4mm	1 pc
C		Allen Bolt M8*40	8 pcs
B		Allen Bolt M6*25	10 pcs
E		Washer 8*19	8 pcs
F		Washer 6*16	10 pcs


#### Part List



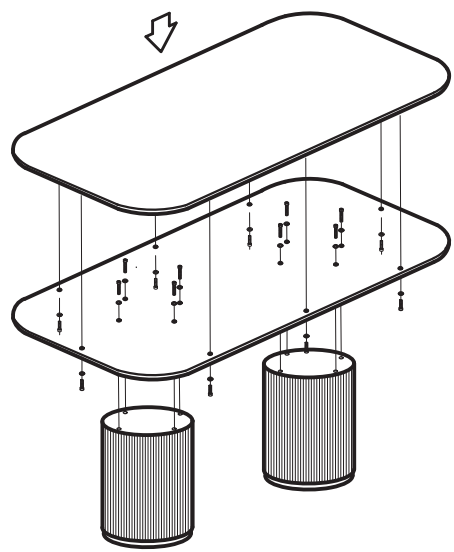
1 pc



1 pc



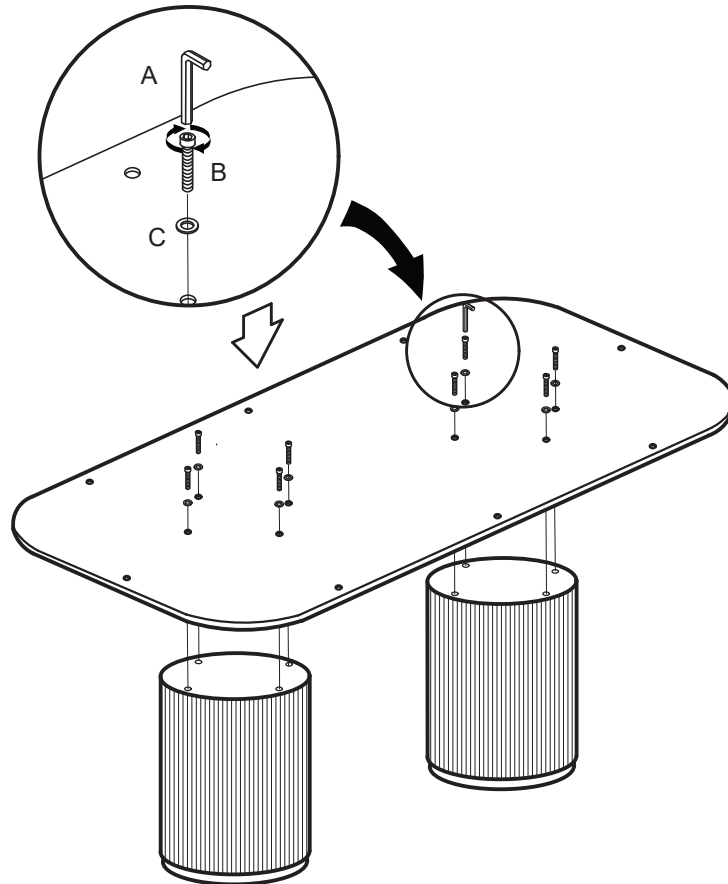
2 pcs



## Note

1. Assemble the item on a soft, well-lit surface like cardboard or carpet.
2. For safety and efficiency, it's best to have two or more people assist with assembly to handle heavy parts safely and collaborate effectively.
3. Keep all packaging materials intact until assembly is complete.
4. Before assembling the item, carefully read all provided instructions.
5. Handle tools with care during assembly to prevent injuries.

1



2

