





KOALA

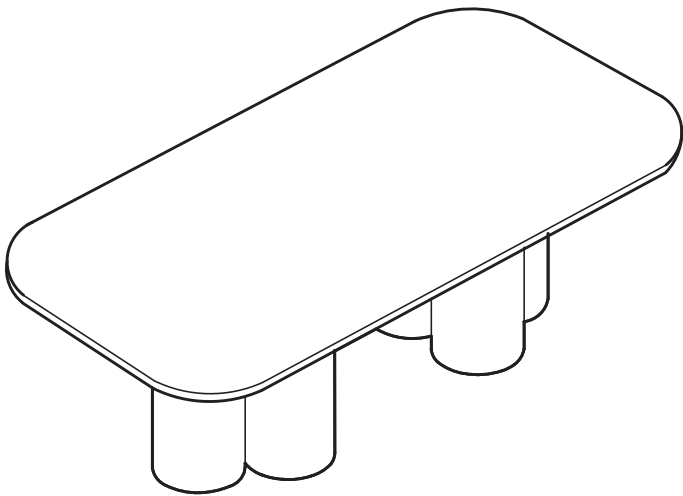
L I V I N G

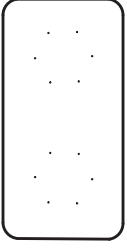



Assembly Instruction

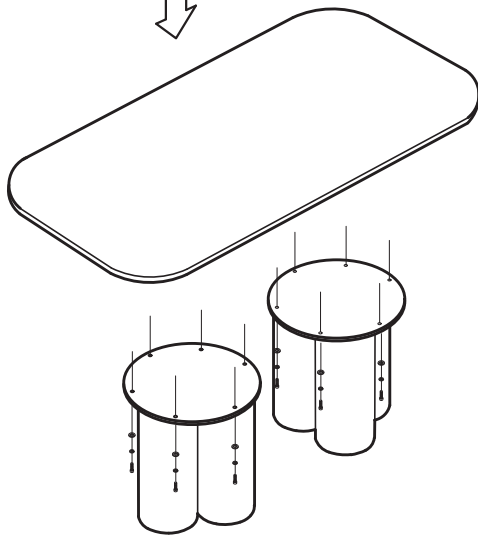
Product Name: Terzetto Pandora Medium Brown Sintered Stone Rectangular Dining Table

Product Id: 129135

Hardware List			
A		Allen Key 5mm	1 pc
B		Allen Bolt 35mm	12 pcs
C		Washer 13mm	12 pcs
D		Washer 19mm	12 pcs



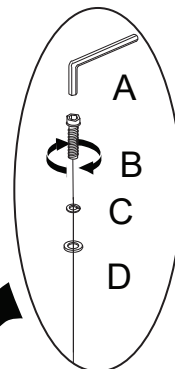
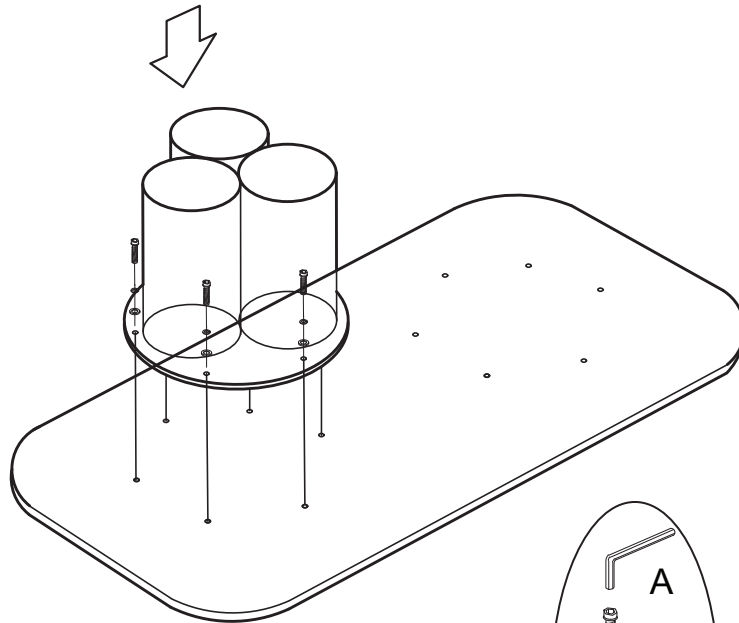
Part List	
	
	
1 pc	2 pcs



Note

1. Assemble the item on a soft, well-lit surface like cardboard or carpet.
2. For safety and efficiency, it's best to have two or more people assist with assembly to handle heavy parts safely and collaborate effectively.
3. Keep all packaging materials intact until assembly is complete.
4. Before assembling the item, carefully read all provided instructions.
5. Handle tools with care during assembly to prevent injuries.

1



2