

KOALA




L I V I N G

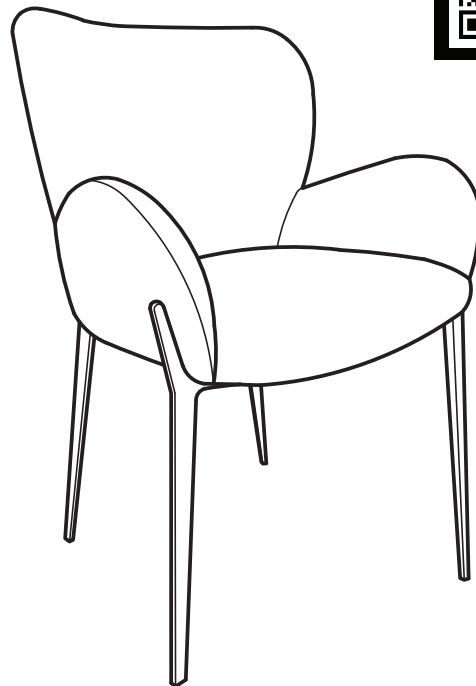
Assembly Instruction

Product Name: Milana Sand Beige Vegan Leather Dining Chair - Bronze Legs

Product Id: 129121

Hardware List

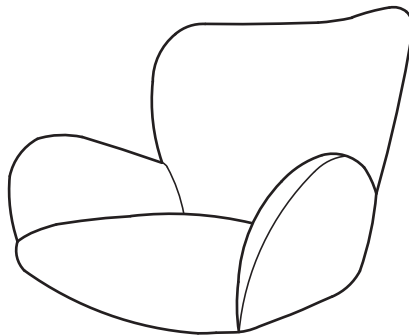
- | | | | |
|---|---|----------------------|-------|
| A |  | Allen Key
4mm | 1 pc |
| B |  | Allen Bolt
M6xL20 | 4 pcs |
| C |  | Washer
Ø6xØ16 | 4 pcs |



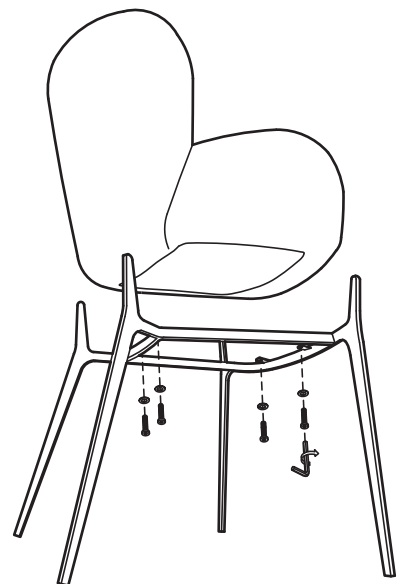
Part List



Legs
1 pc



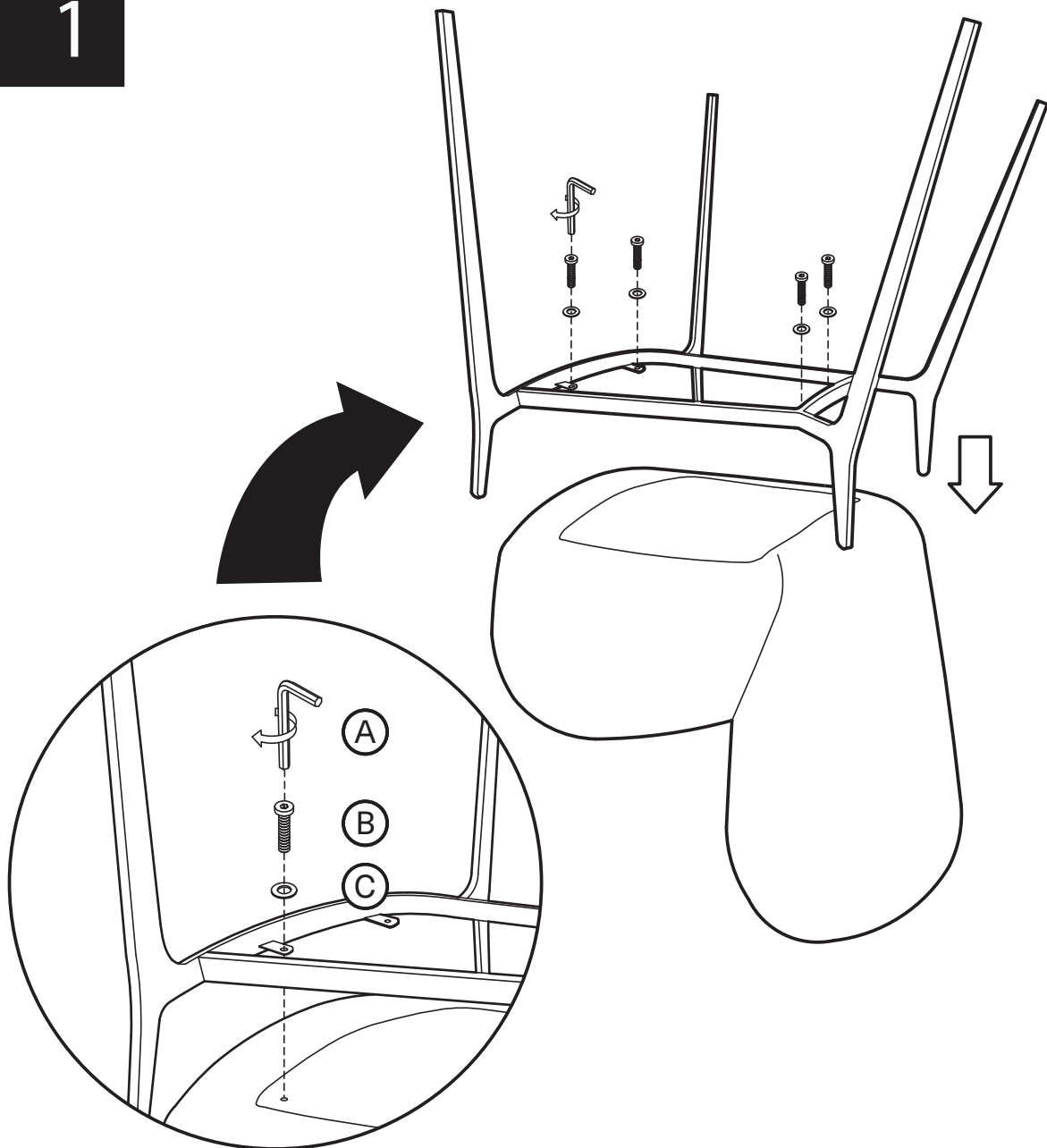
Seat
1 pc



Note

1. Assemble the item on a soft, well-lit surface like cardboard or carpet.
2. For safety and efficiency, it's best to have two or more people assist with assembly to handle heavy parts safely and collaborate effectively.
3. Keep all packaging materials intact until assembly is complete.
4. Before assembling the item, carefully read all provided instructions.
5. Handle tools with care during assembly to prevent injuries.

1



2

