

# KOALA

## L I V I N G

### Assembly Instruction


Product Name: SSan Pierre Light Brown Ash Veneer Coffee Table High  
Travertine Finish Sintered Stone Top

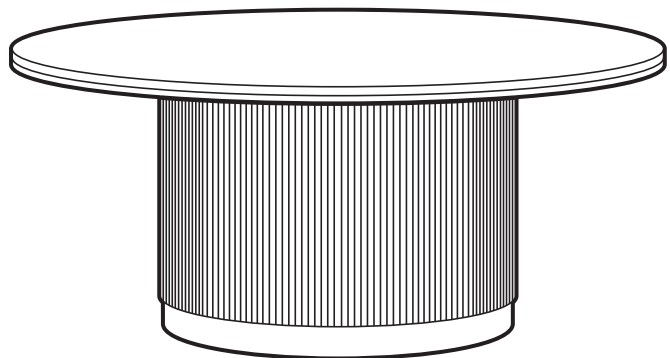
Product Id: 129109

#### Hardware List

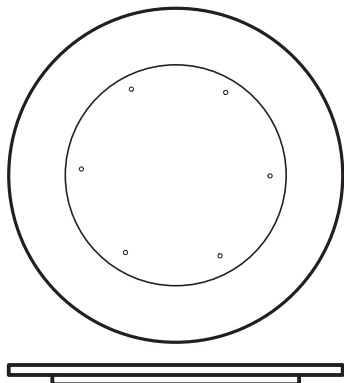
A  Washer 8\*20 6 pcs

B  Allen Bolt M8\*30mm 6 pcs

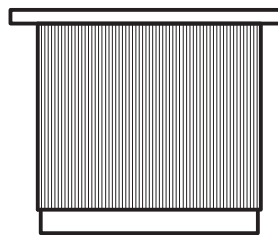
C  Allen Key 5mm 1 pc



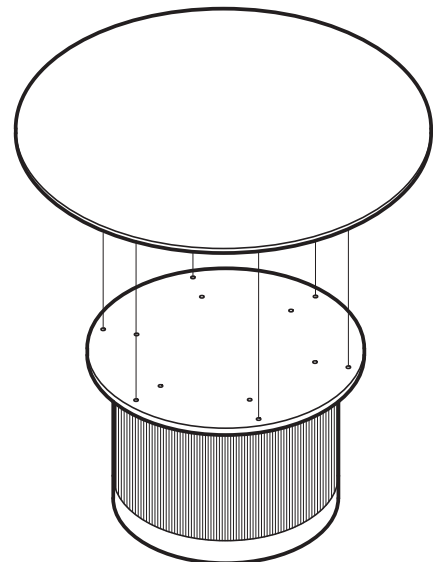
#### Part List



1 pc



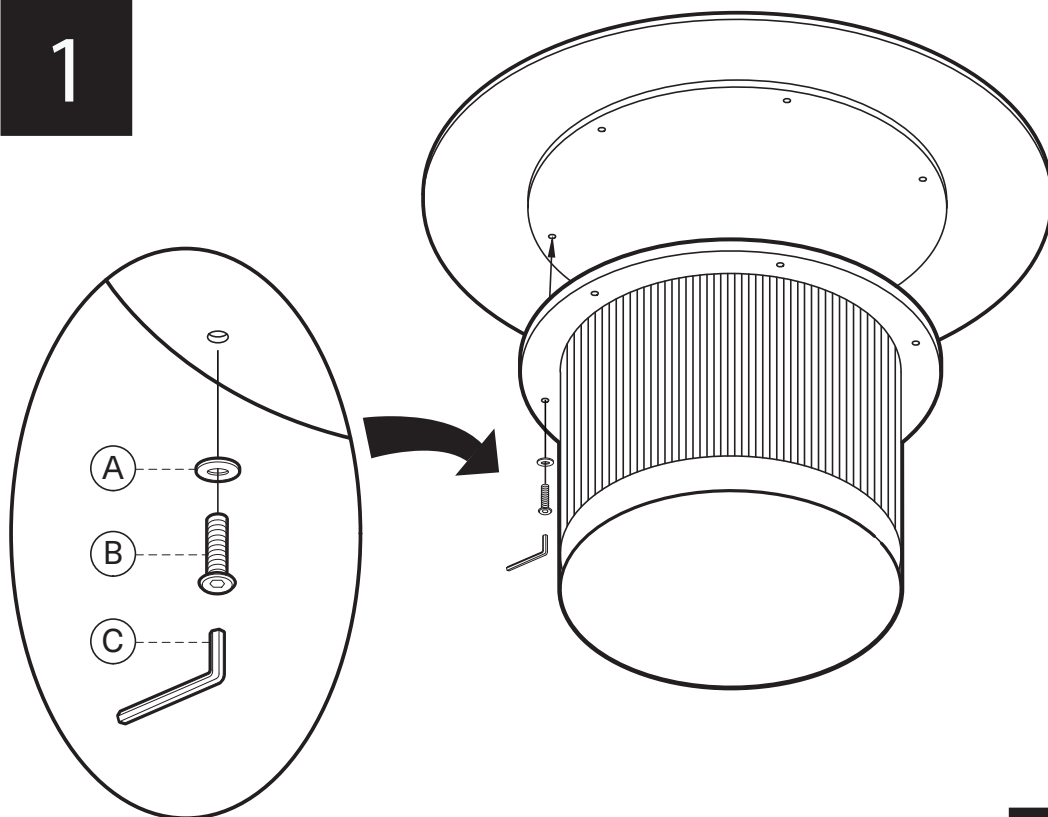
1 pc



## Note

1. Assemble the item on a soft, well-lit surface like cardboard or carpet.
2. For safety and efficiency, it's best to have two or more people assist with assembly to handle heavy parts safely and collaborate effectively.
3. Keep all packaging materials intact until assembly is complete.
4. Before assembling the item, carefully read all provided instructions.
5. Handle tools with care during assembly to prevent injuries.

1



2

