


KOALA

L I V I N G

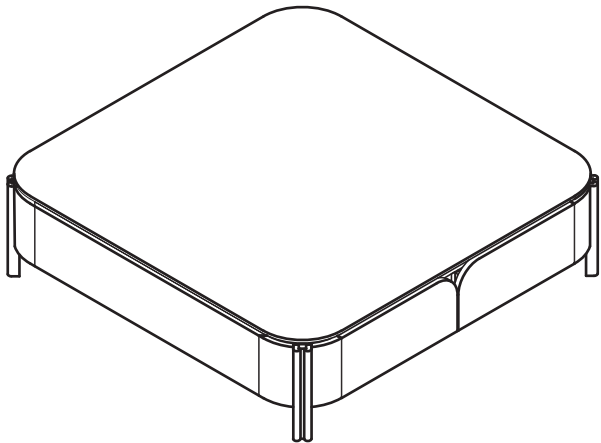
Assembly Instruction

Product Name: Portobello Toffee Brown Ash Veneer Coffee Table
Pandora Brown Sintered Stone Top
Product Id: 129100

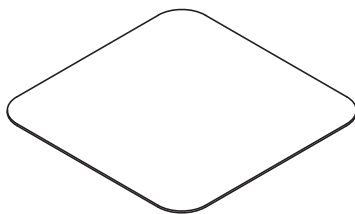
Hardware List

A  Screw 4*40 12 pc

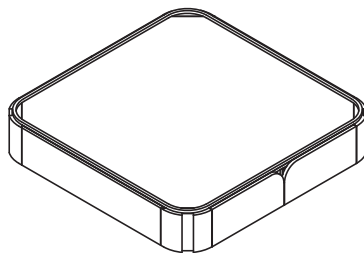
B  Metal Dowel 8* 30 16 pcs



Part List



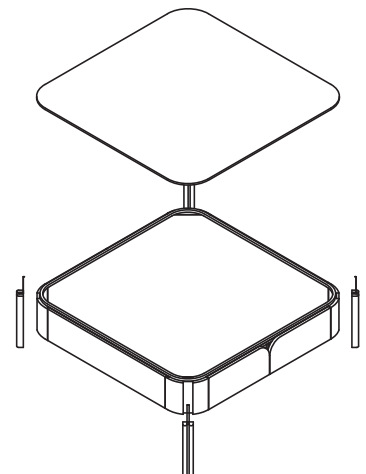
Top
1 pc



Base
1 pc



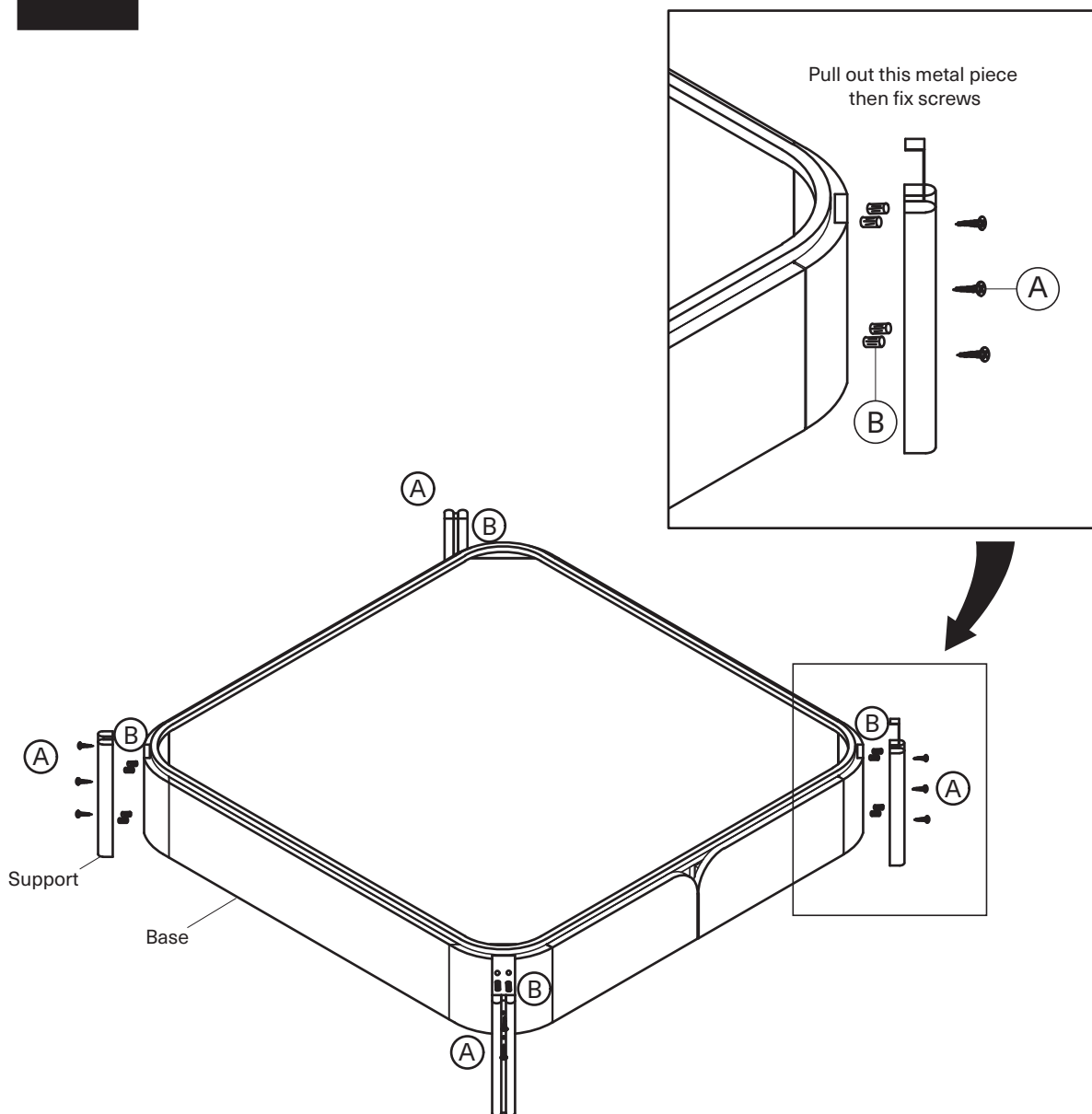
Support
4 pcs



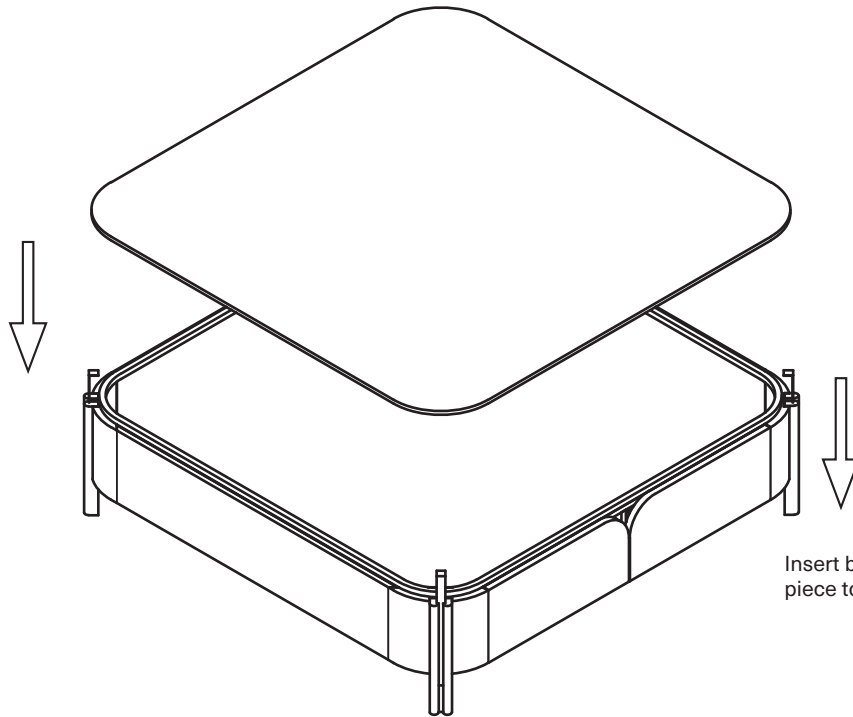
Note

1. Assemble the item on a soft, well-lit surface like cardboard or carpet.
2. For safety and efficiency, it's best to have two or more people assist with assembly to handle heavy parts safely and collaborate effectively.
3. Keep all packaging materials intact until assembly is complete.
4. Before assembling the item, carefully read all provided instructions.
5. Handle tools with care during assembly to prevent injuries.

1



2



3

