

KOALA



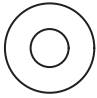

L I V I N G

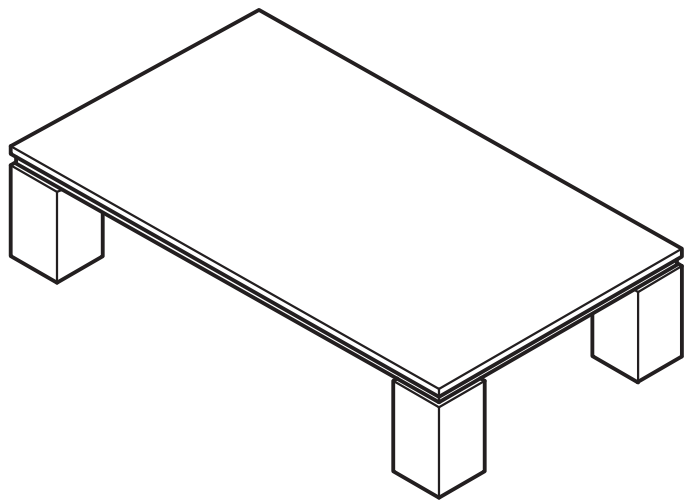
Assembly Instruction

Product Name: Monolith Natural Cream Travertine Coffee Table

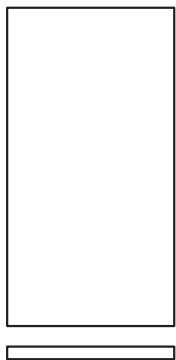
Product Id: 129042

Hardware List

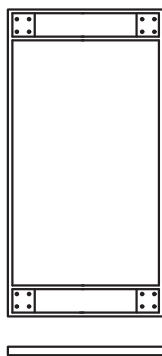
- A  Allen Key 5mm 1 pc
- B  Allen Bolt 5/16" * 30mm 18 pcs
- C  Washer \varnothing 19mm 18 pcs
- D  Washer \varnothing 13mm 18 pcs



Part List



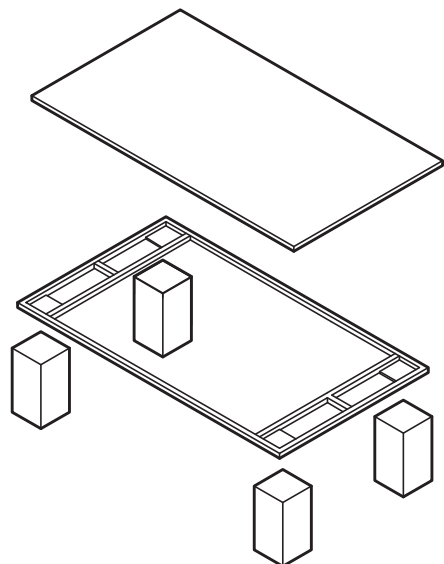
Top
1 pc



Metal Frame
1 pc



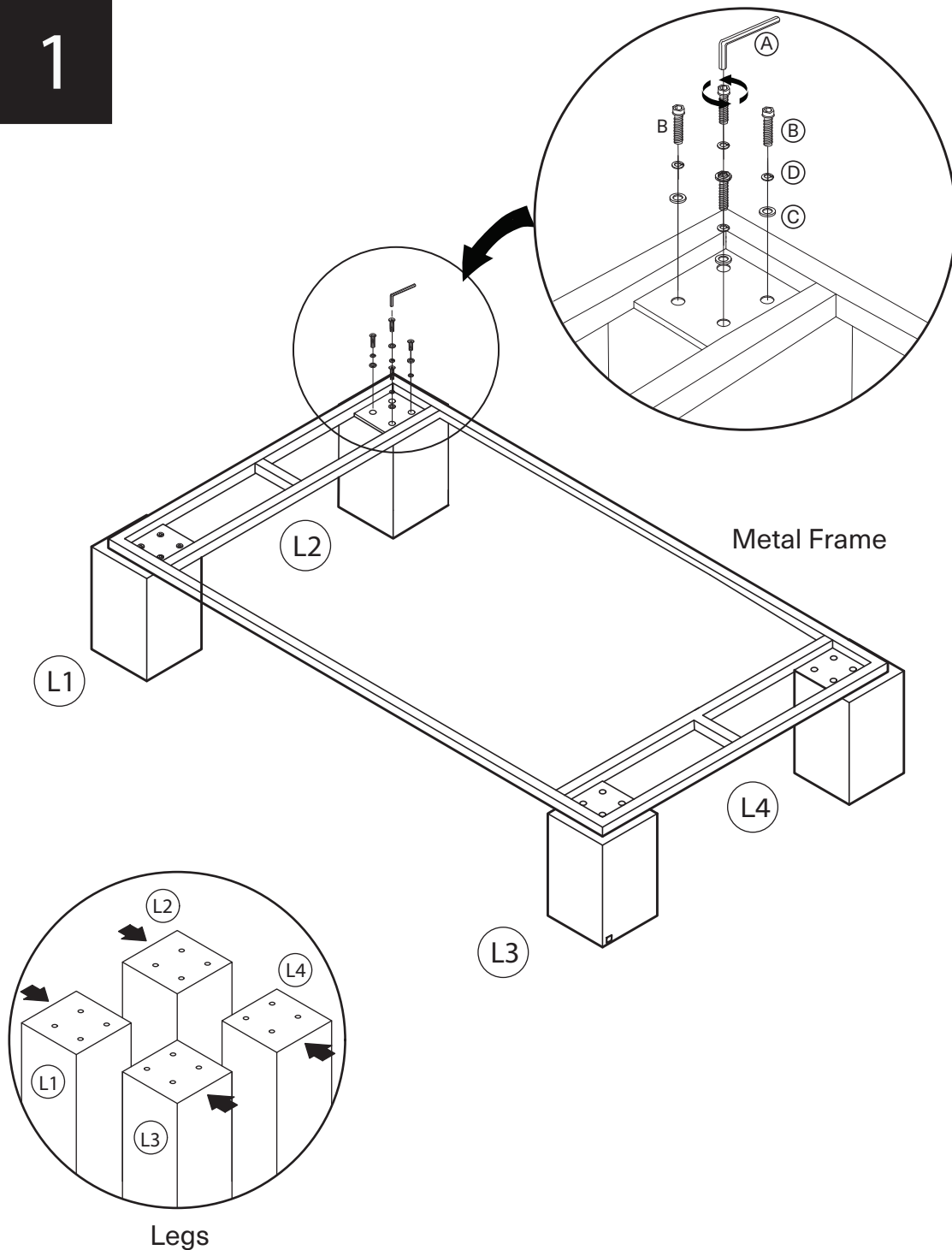
Legs
4 pcs



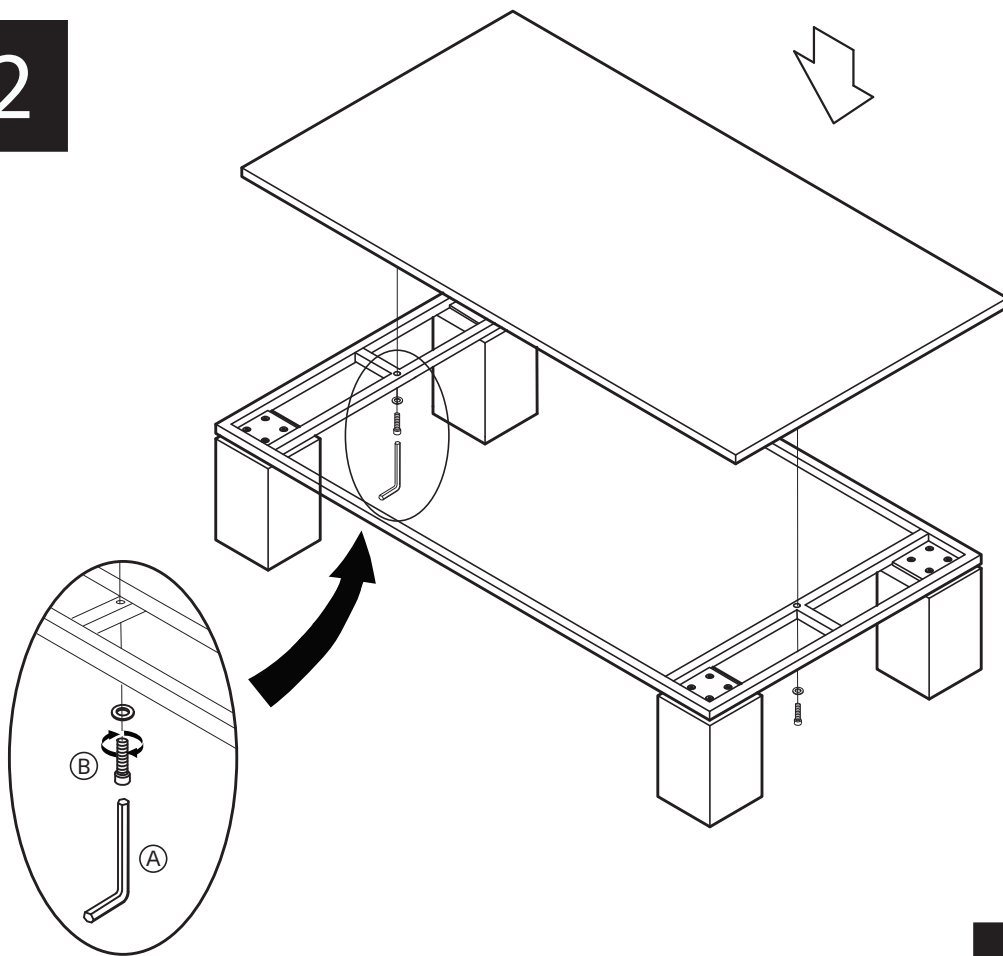
Note

1. Assemble the item on a soft, well-lit surface like cardboard or carpet.
2. For safety and efficiency, it's best to have two or more people assist with assembly to handle heavy parts safely and collaborate effectively.
3. Keep all packaging materials intact until assembly is complete.
4. Before assembling the item, carefully read all provided instructions.
5. Handle tools with care during assembly to prevent injuries.

1



2



3

