




KOALA

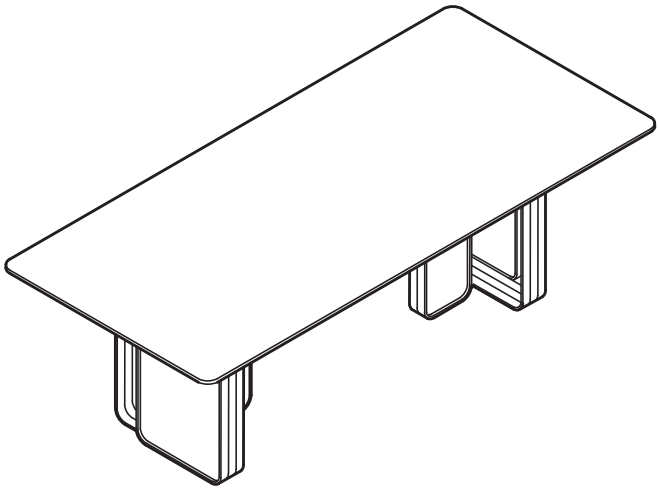

L I V I N G

Assembly Instruction

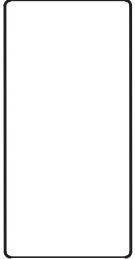
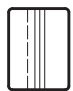







Product Name: Marbella Cold Calacatta White Sintered Stone Dining Table - Black Nickel Frame
Product Id: 128990

Hardware List

A		Allen Key	1 pc
B		Allen Bolt	8 pcs
C		Washer	8 pcs



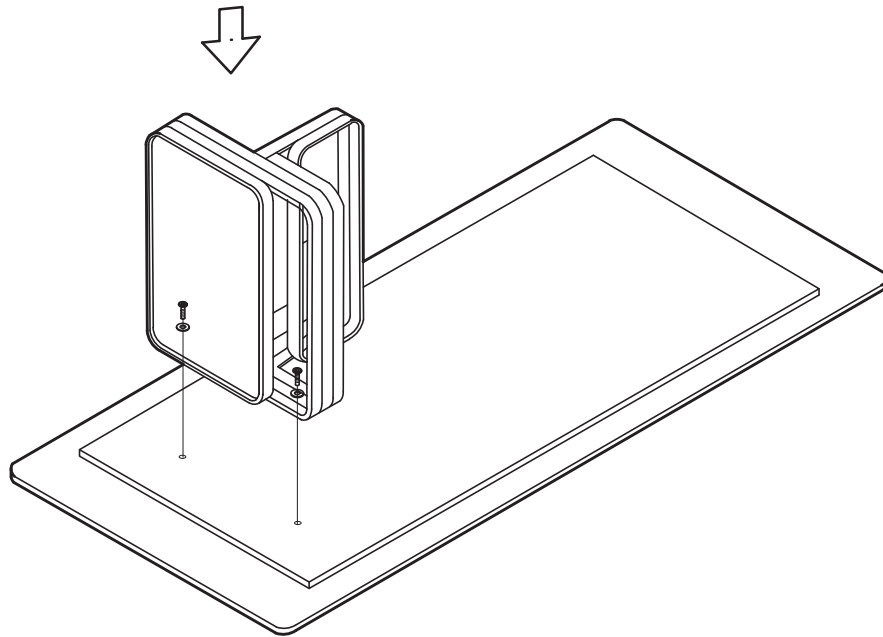
Part List

				
				
1 pc	1 pc	1 pc		

Note

1. Assemble the item on a soft, well-lit surface like cardboard or carpet.
2. For safety and efficiency, it's best to have two or more people assist with assembly to handle heavy parts safely and collaborate effectively.
3. Keep all packaging materials intact until assembly is complete.
4. Before assembling the item, carefully read all provided instructions.
5. Handle tools with care during assembly to prevent injuries.

1



2

