

KOALA





L I V I N G

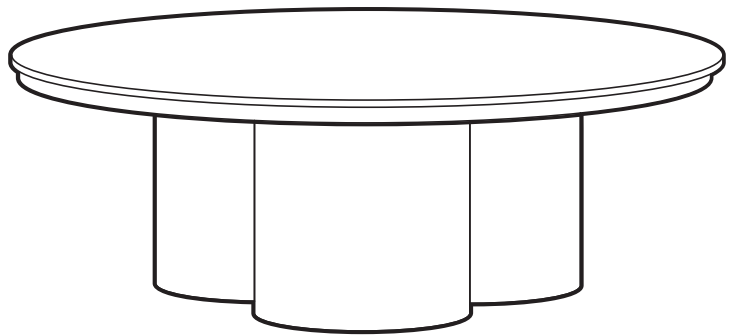
Assembly Instruction

Product Name: Terzetto Pandora Brown Sintered Stone Round Coffee Table Low
Dark Brown Wooden Legs

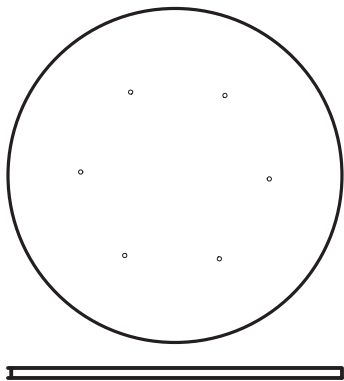
Product Id: 128895

Hardware List

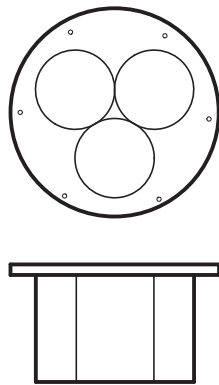
- A  Allen Key 5mm 1 pc
- B  Allen Bolt 5/16*35mm 6 pcs
- C  Spring Washer 13mm 6 pcs
- D  Washer 19mm 6 pcs



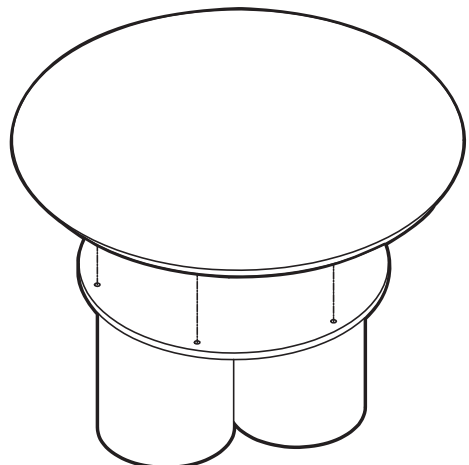
Part List



1 pc



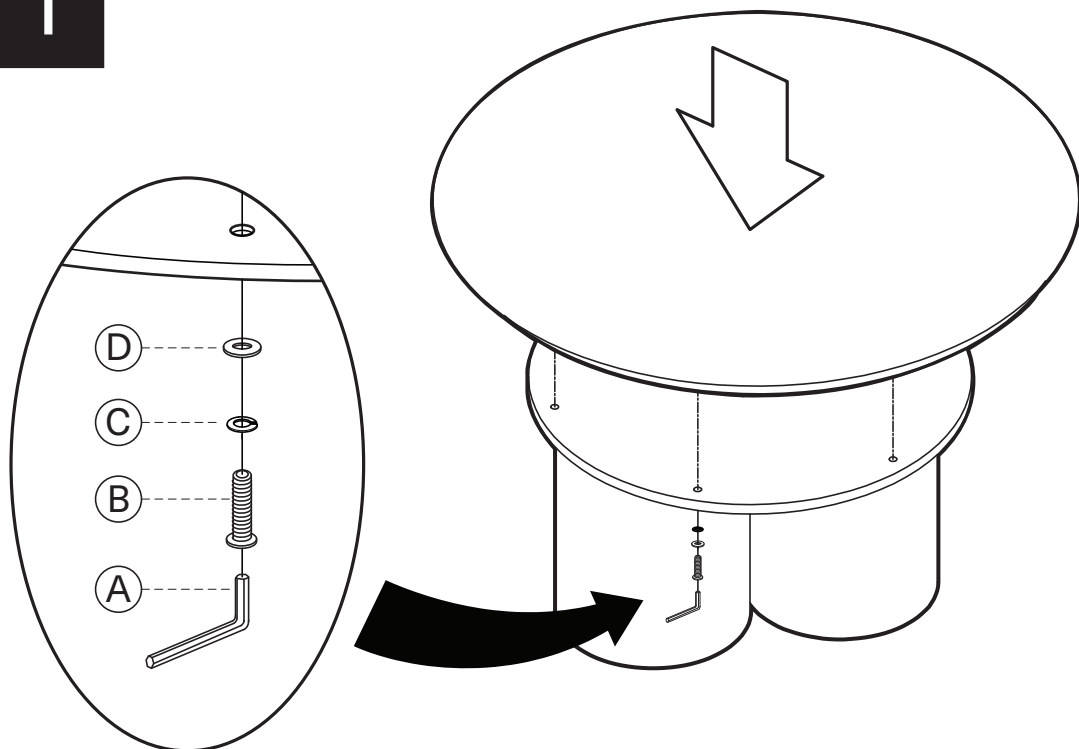
1 pc



Note

1. Assemble the item on a soft, well-lit surface like cardboard or carpet.
2. For safety and efficiency, it's best to have two or more people assist with assembly to handle heavy parts safely and collaborate effectively.
3. Keep all packaging materials intact until assembly is complete.
4. Before assembling the item, carefully read all provided instructions.
5. Handle tools with care during assembly to prevent injuries.

1



2

