

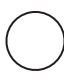



KOALA

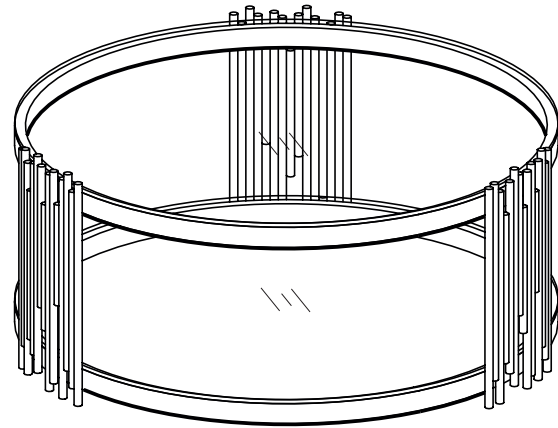
L I V I N G

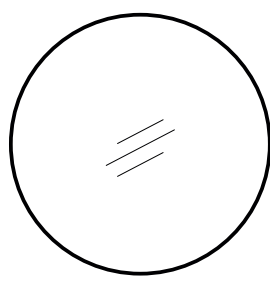
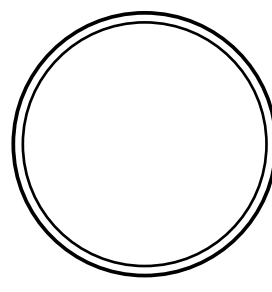
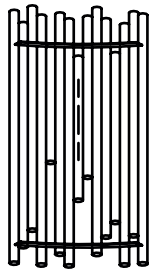
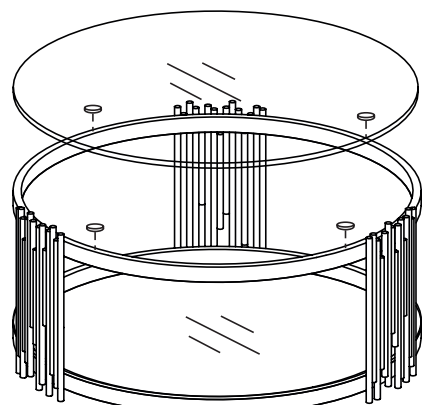
Assembly Instruction

Product Name: Lindsay Polished Stainless Steel Round Coffee Table - Clear Glass Top
Product Id: 128806

Hardware List		
A		Allen Key 1 pc
B		Allen Bolt M6x10mm 12 pcs
C		Silicon Pad 12x2mm 8 pcs



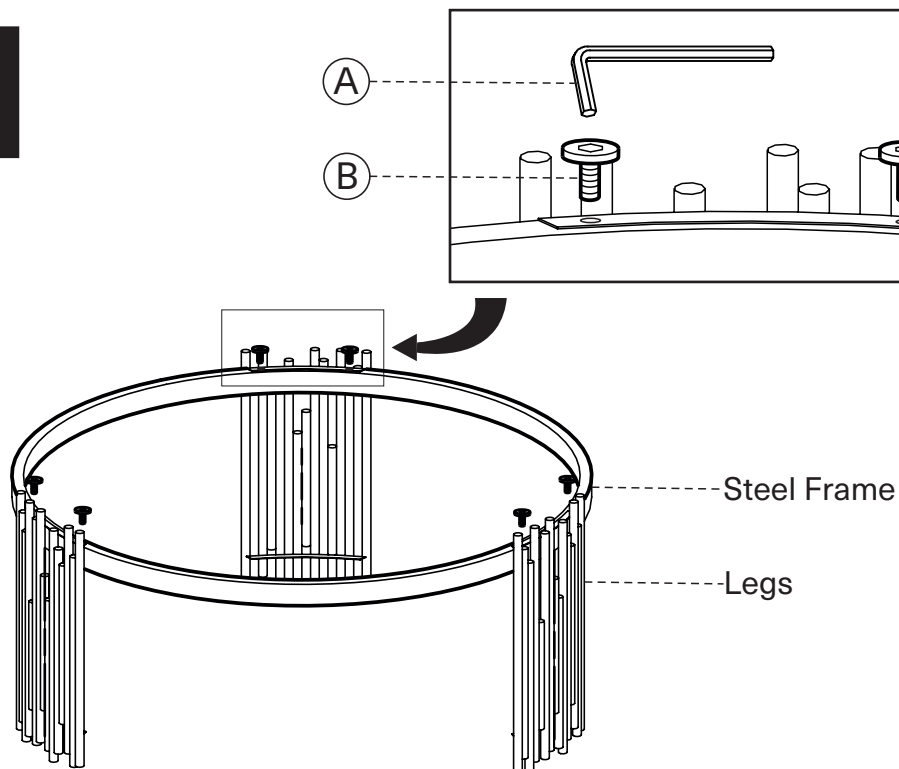


Part List			
			
Glass Top 2 pcs	Steel Frame 2 pcs	Legs 3 pcs	

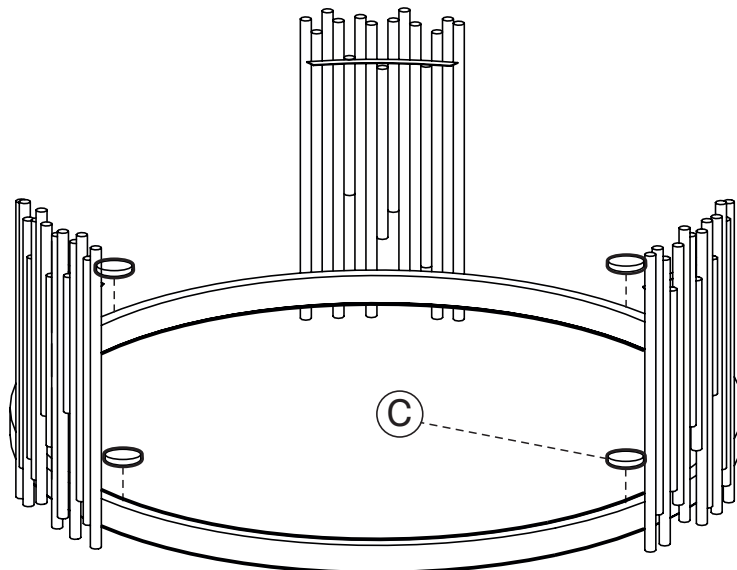
Note

1. Assemble the item on a soft, well-lit surface like cardboard or carpet.
2. For safety and efficiency, it's best to have two or more people assist with assembly to handle heavy parts safely and collaborate effectively.
3. Keep all packaging materials intact until assembly is complete.
4. Before assembling the item, carefully read all provided instructions.
5. Handle tools with care during assembly to prevent injuries.

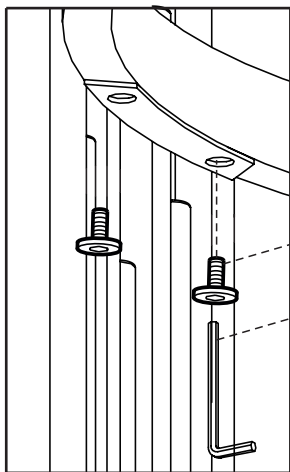
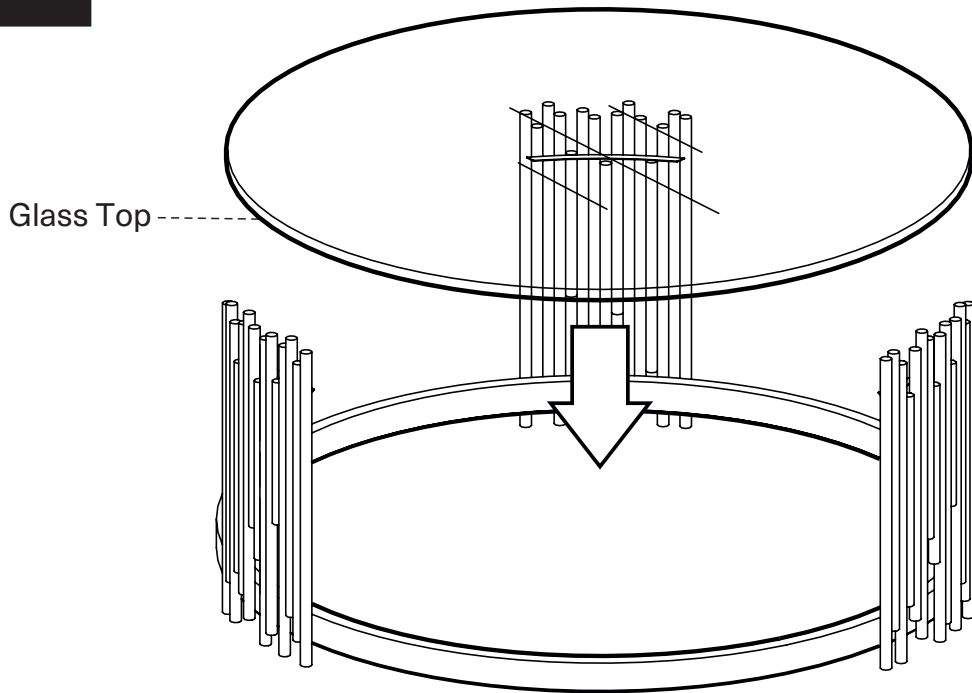
1



2

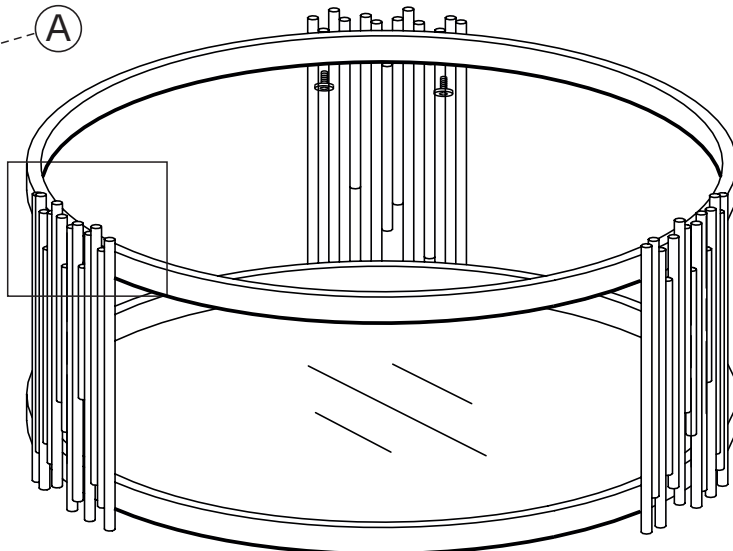


3



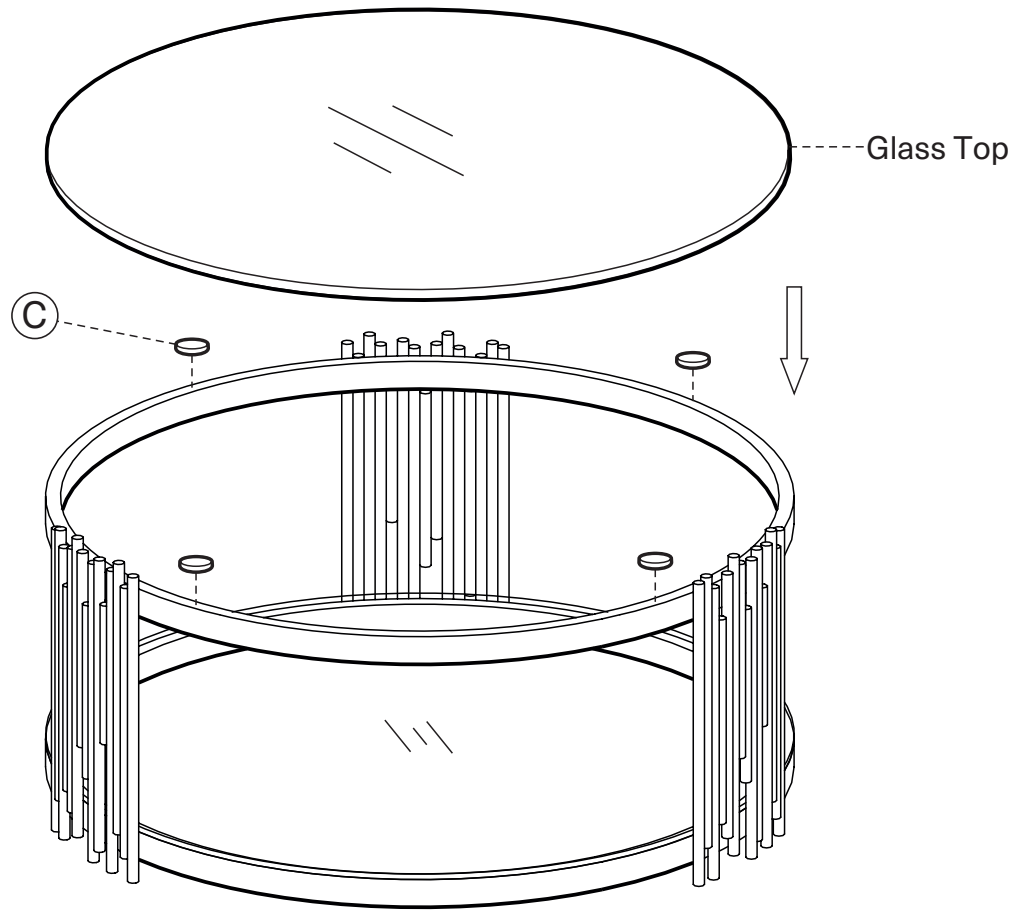
B

A



4

5



6

