

# KOALA








## L I V I N G

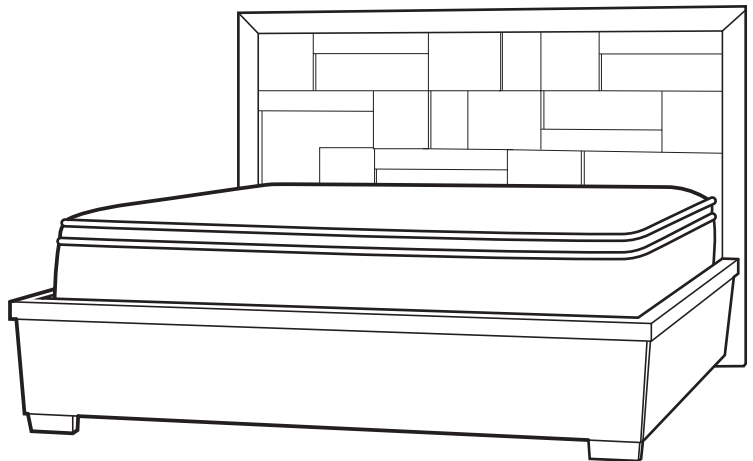
### Assembly Instruction

Product Name: Montana Deep Brown Wooden King Bed

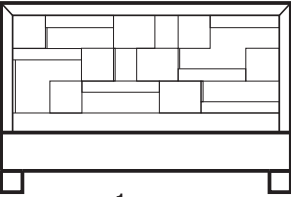
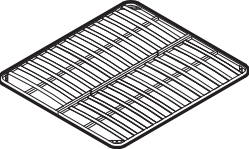
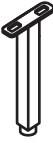
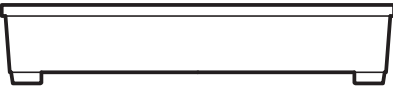

Product Id: 128643

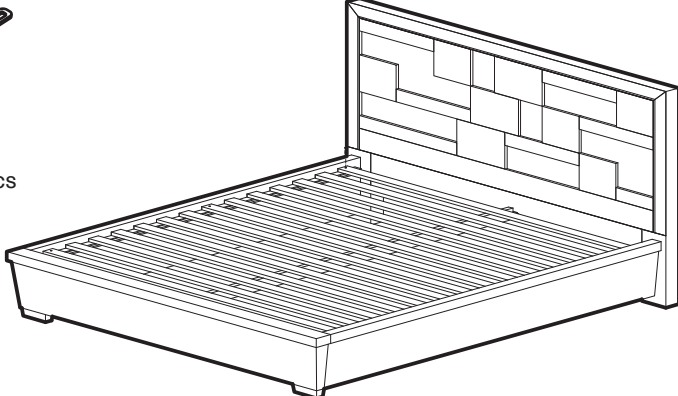
#### Hardware List

|   |   |                   |        |
|---|---|-------------------|--------|
| A |    | Metal "U" Bracket | 2 pcs  |
| B |    | C.B.S. M3.5X16    | 8 pcs  |
| C |   | JCBC Bolt 6X40    | 6 pcs  |
| D |  | Nut 5X6           | 6 pcs  |
| E |  | C.B.S. M4X30      | 6 pcs  |
| F |  | Nut Screw M8X16   | 16 pcs |
| G |  | Allen Key         | 1 pc   |



#### Part List

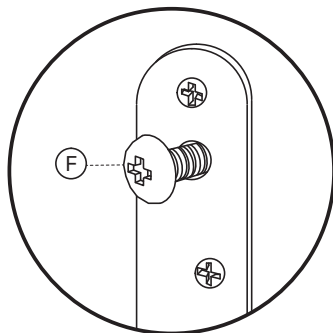
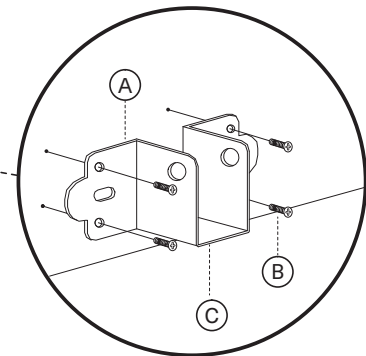
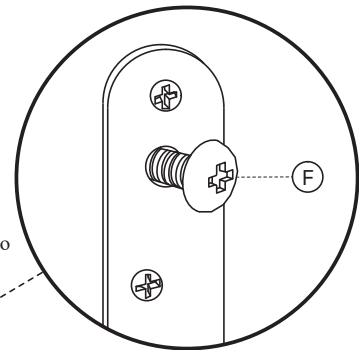
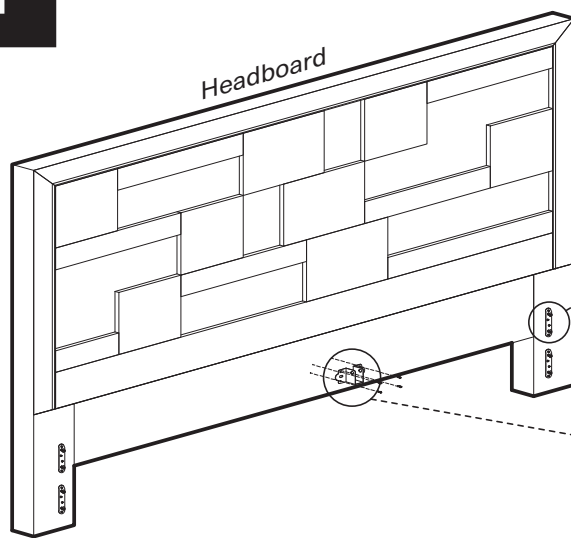
|            |   |       |
|------------|---|-------|
| Headboard  |  | 1 pc  |
| Bedstead   |  | 1 pc  |
| Middle Leg |  | 2 pcs |
| Footboard  |  | 1 pc  |
| Side Rail  |  | 2 pcs |



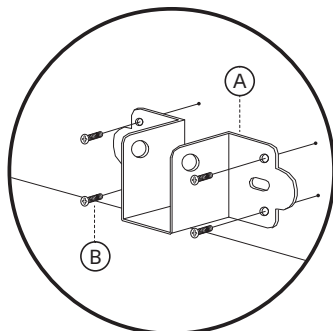
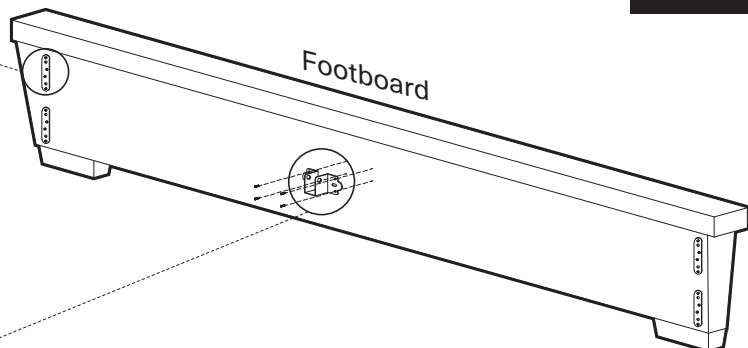
## Note

1. Assemble the item on a soft, well-lit surface like cardboard or carpet.
2. For safety and efficiency, it's best to have two or more people assist with assembly to handle heavy parts safely and collaborate effectively.
3. Keep all packaging materials intact until assembly is complete.
4. Before assembling the item, carefully read all provided instructions.
5. Handle tools with care during assembly to prevent injuries.

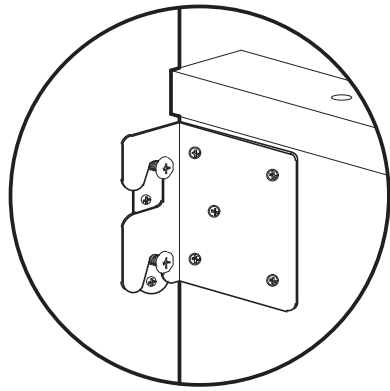
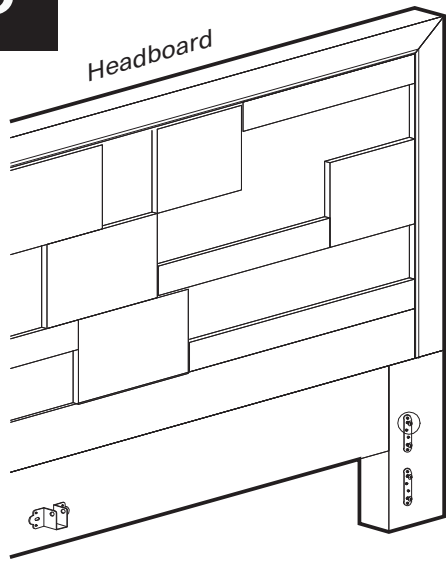
1



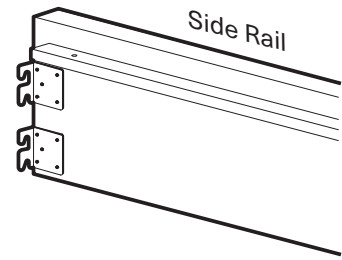
\* Loosen bolt to install side rail brackets.



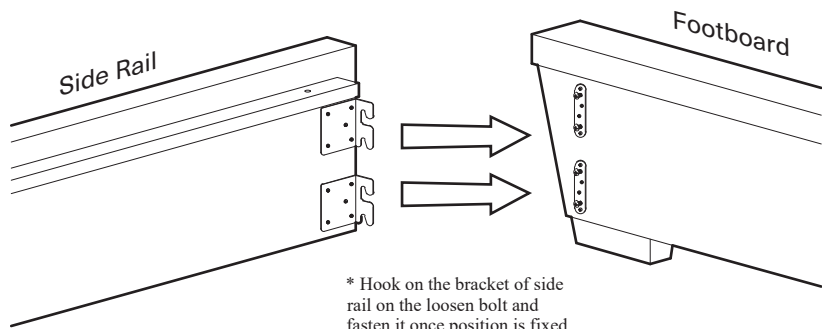
3



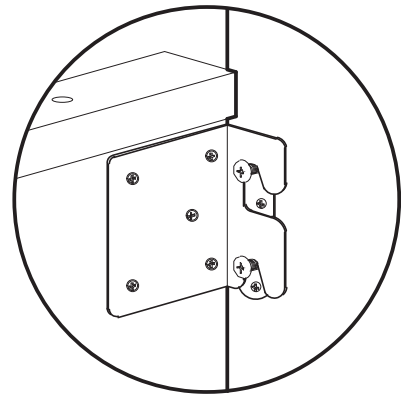
\* Hook on the bracket of side rail on the loosen bolt and fasten it once position is fixed.



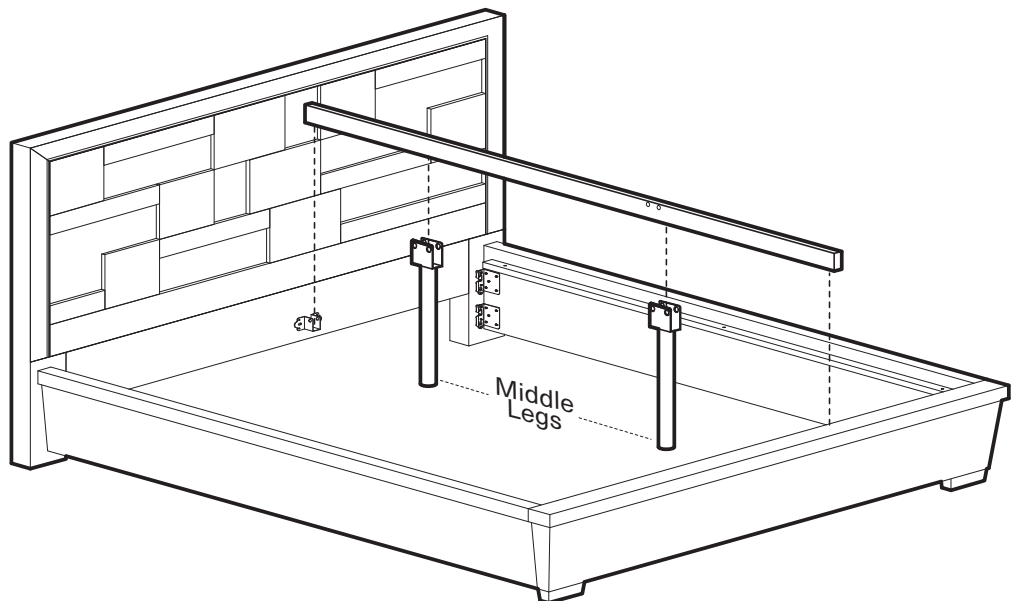
4



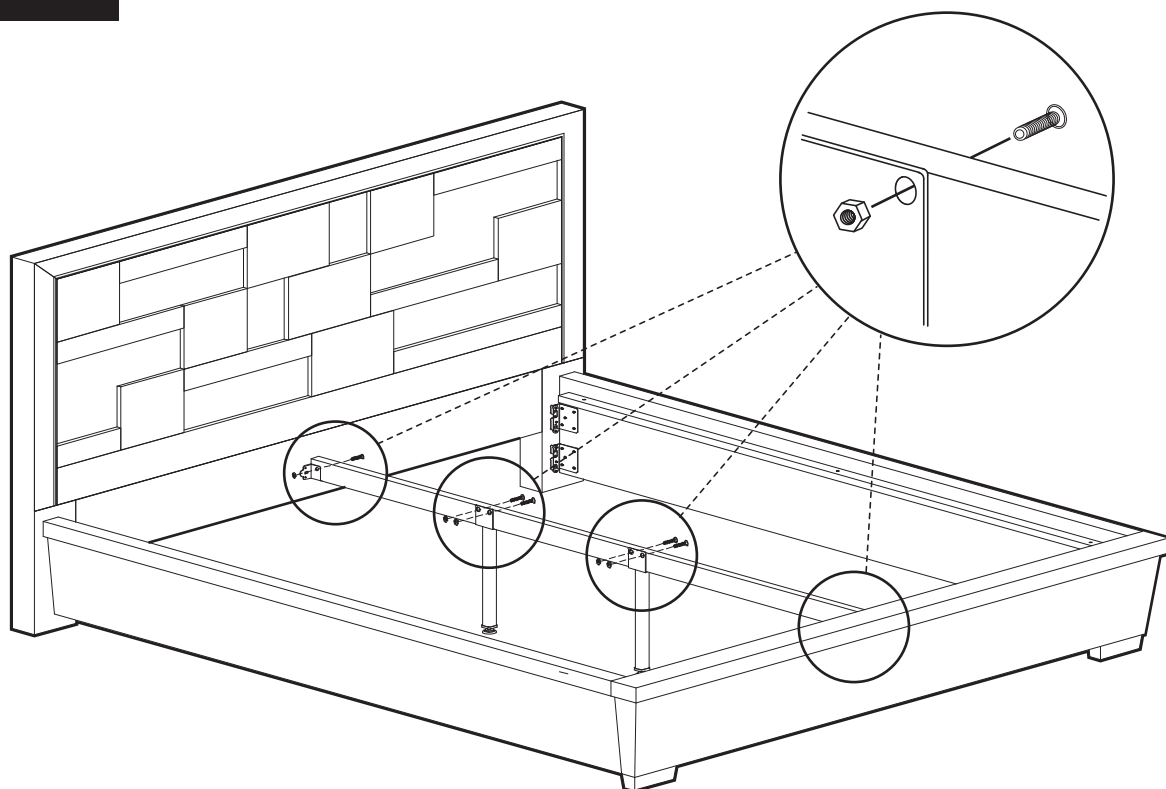
\* Hook on the bracket of side rail on the loosen bolt and fasten it once position is fixed.



3



4



5

