

KOALA





L I V I N G

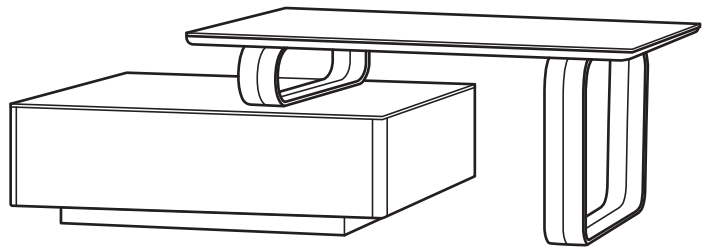
Assembly Instruction

Product Name: Marbella 2-Layered Cold Calacatta White Sintered
Coffee Table - Brushed Gold Frame

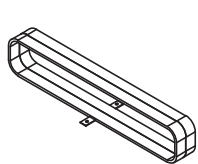
Product Id: 128604

Hardware List

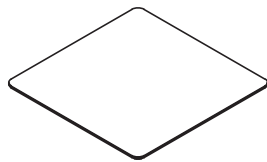
- | | | | |
|---|---|--------------------------|-------|
| A |  | Allen Key
24x65x5mm | 1 pc |
| B |  | Allen Bolt
16x16x8mm | 6 pcs |
| C |  | Washer
20x1x9mm | 6 pcs |
| D |  | Foot Stopper
15x8x6mm | 8 pcs |



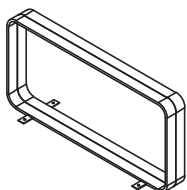
Part List



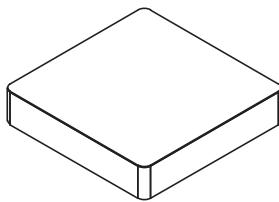
Support
1 pc



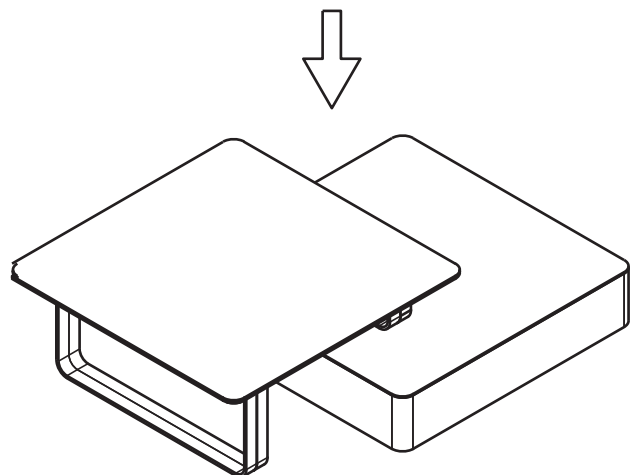
Top
1 pc



Leg
1 pc



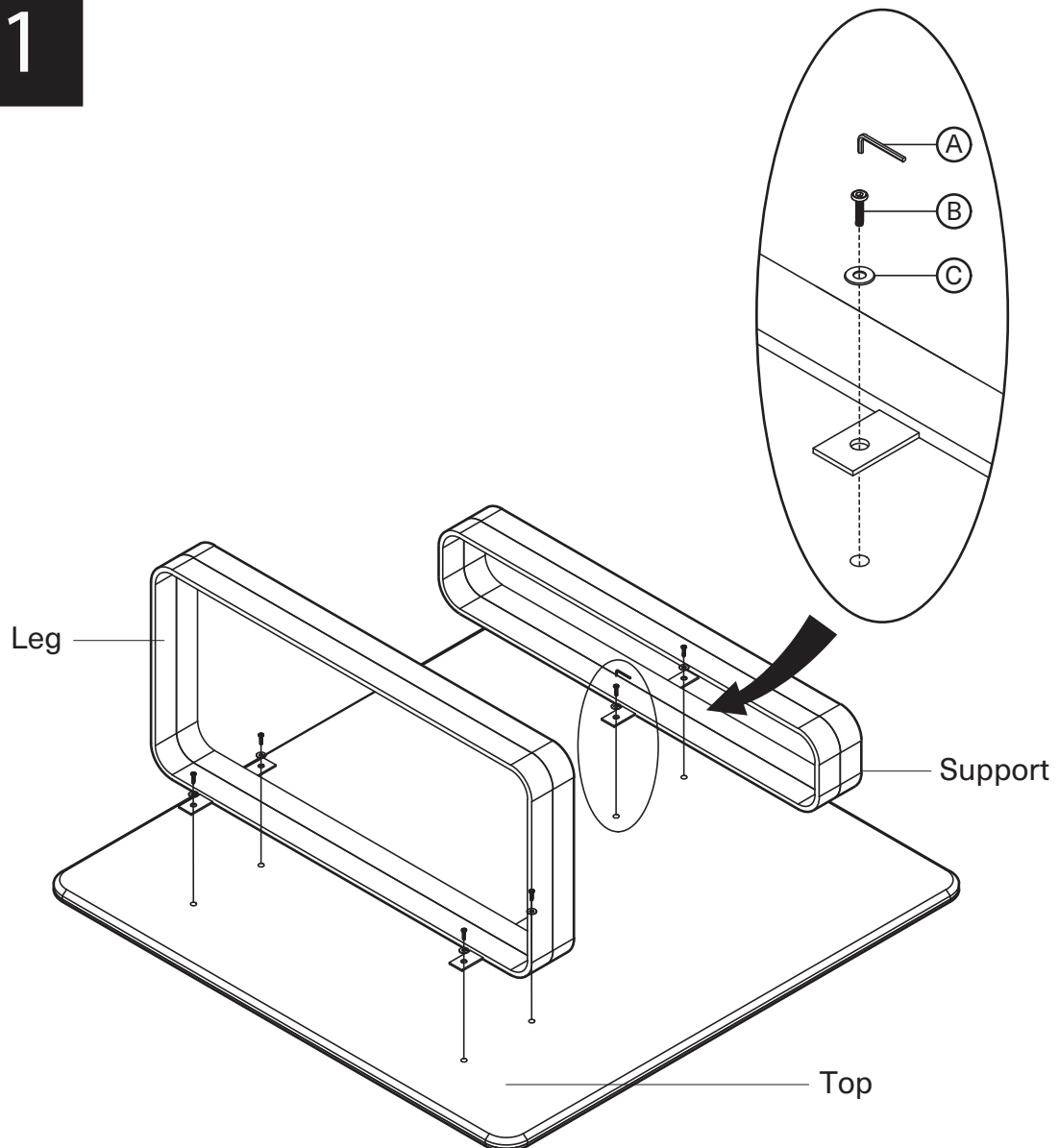
Base
1 pc



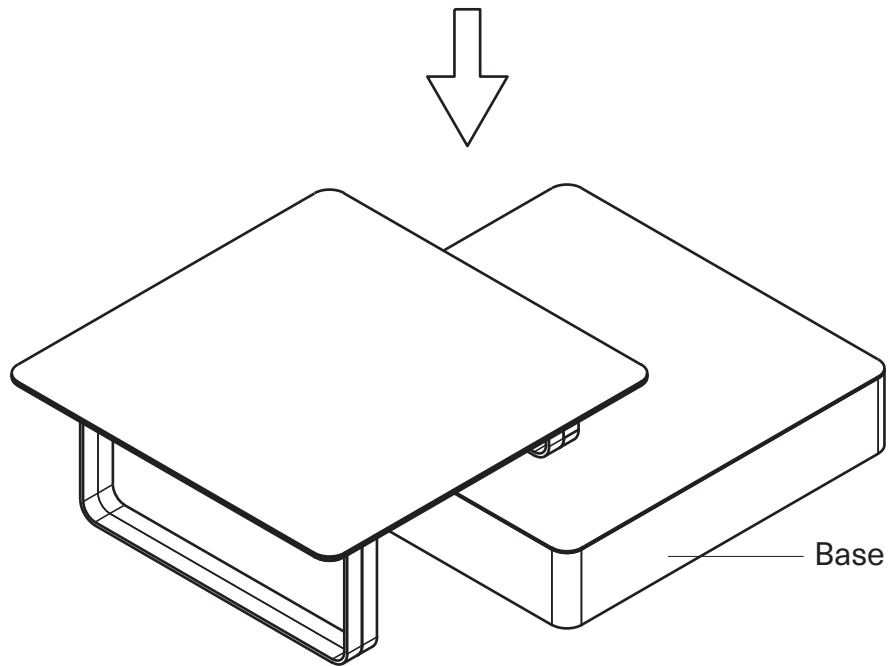
Note

1. Assemble the item on a soft, well-lit surface like cardboard or carpet.
2. For safety and efficiency, it's best to have two or more people assist with assembly to handle heavy parts safely and collaborate effectively.
3. Keep all packaging materials intact until assembly is complete.
4. Before assembling the item, carefully read all provided instructions.
5. Handle tools with care during assembly to prevent injuries.

1



2



3

