

KOALA





L I V I N G

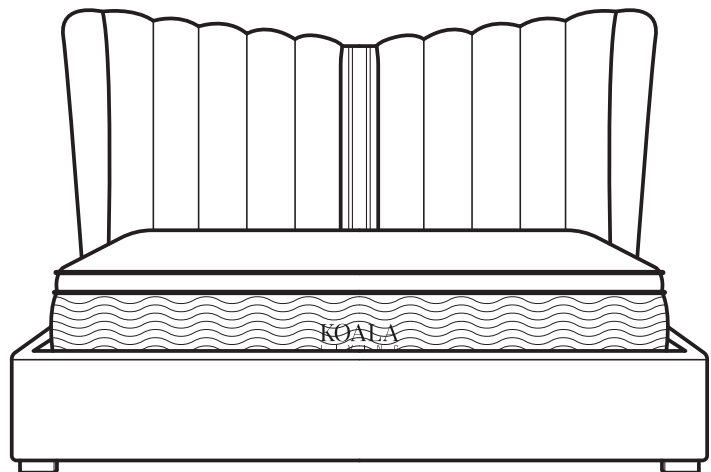
Assembly Instruction

Product Name: Madrid Cream Velvet King Bed

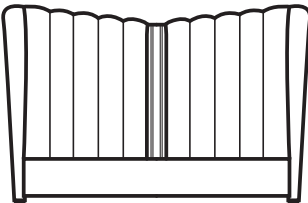
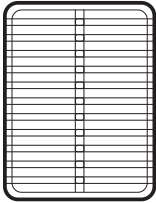

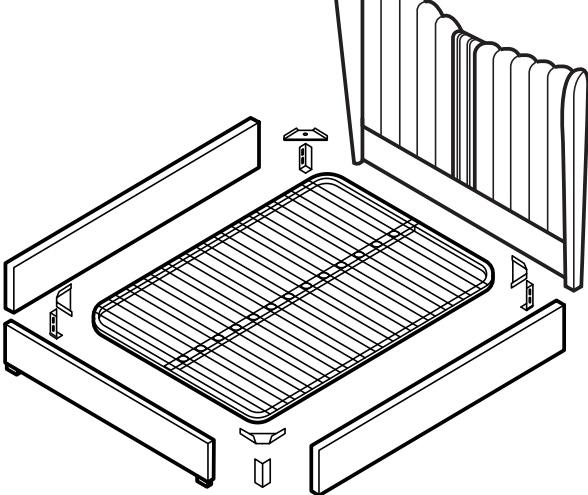

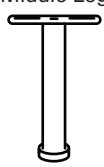

Product Id: 128475

Hardware List

- A  Bolt 5X66X23mm 1 pc
- B  Bolt M8X35mm 32 pcs
- C  Bolt M8X50mm 4 pcs
- D  Nut 4 pcs



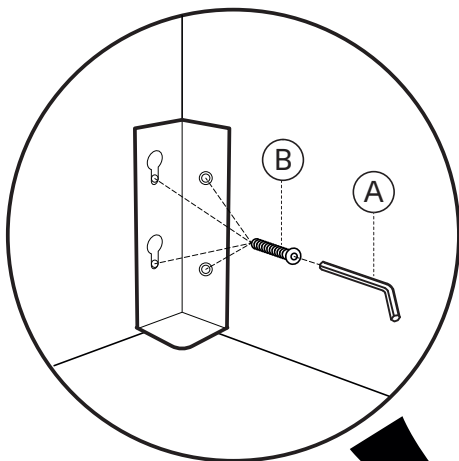
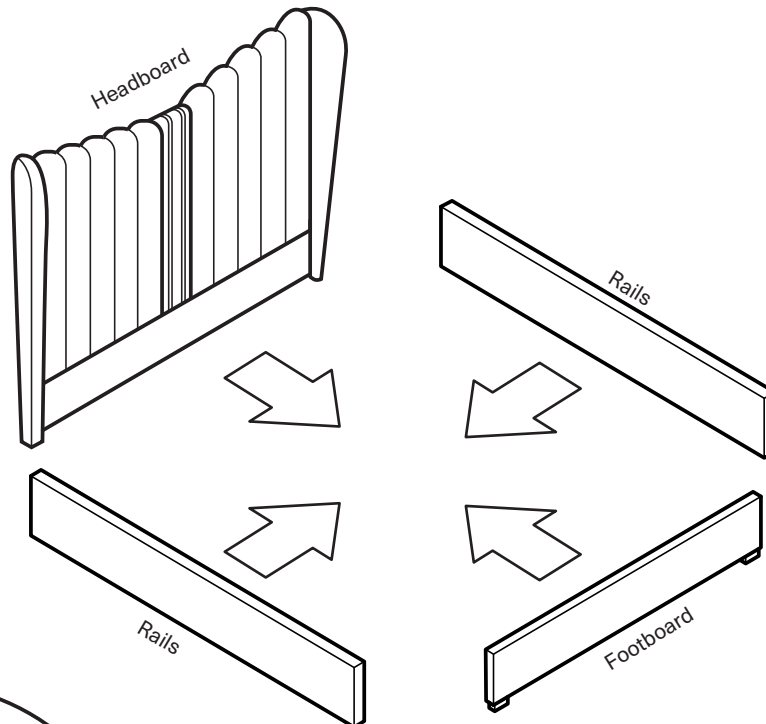
Part List

- | | | | |
|------------------------------------------------------------------------------------------------------------------|--------------------------------------------------------------------------------------------------------------------|-------------------------------------------------------------------------------------------------------------------|--------------------------------------------------------------------------------------|
| <p>Headboard</p>  <p>1 pc</p> | <p>Bedstead</p>  <p>1 pc</p> | <p>Rails</p>  <p>2 pcs</p> |  |
| <p>Footboard</p>  <p>1 pc</p> | <p>Middle Leg</p>  <p>2 pcs</p> | <p>Accessory</p>  <p>4 pcs</p> | |

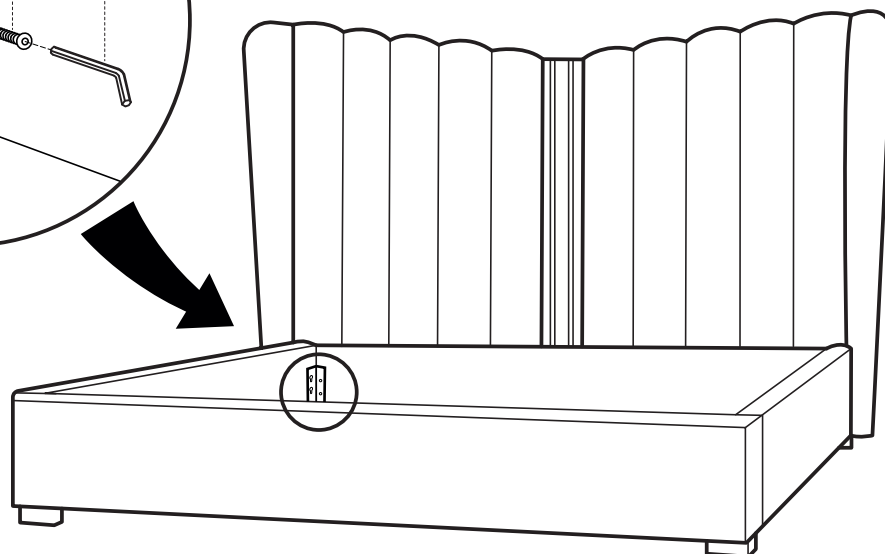
Note

1. Assemble the item on a soft, well-lit surface like cardboard or carpet.
2. For safety and efficiency, it's best to have two or more people assist with assembly to handle heavy parts safely and collaborate effectively.
3. Keep all packaging materials intact until assembly is complete.
4. Before assembling the item, carefully read all provided instructions.
5. Handle tools with care during assembly to prevent injuries.

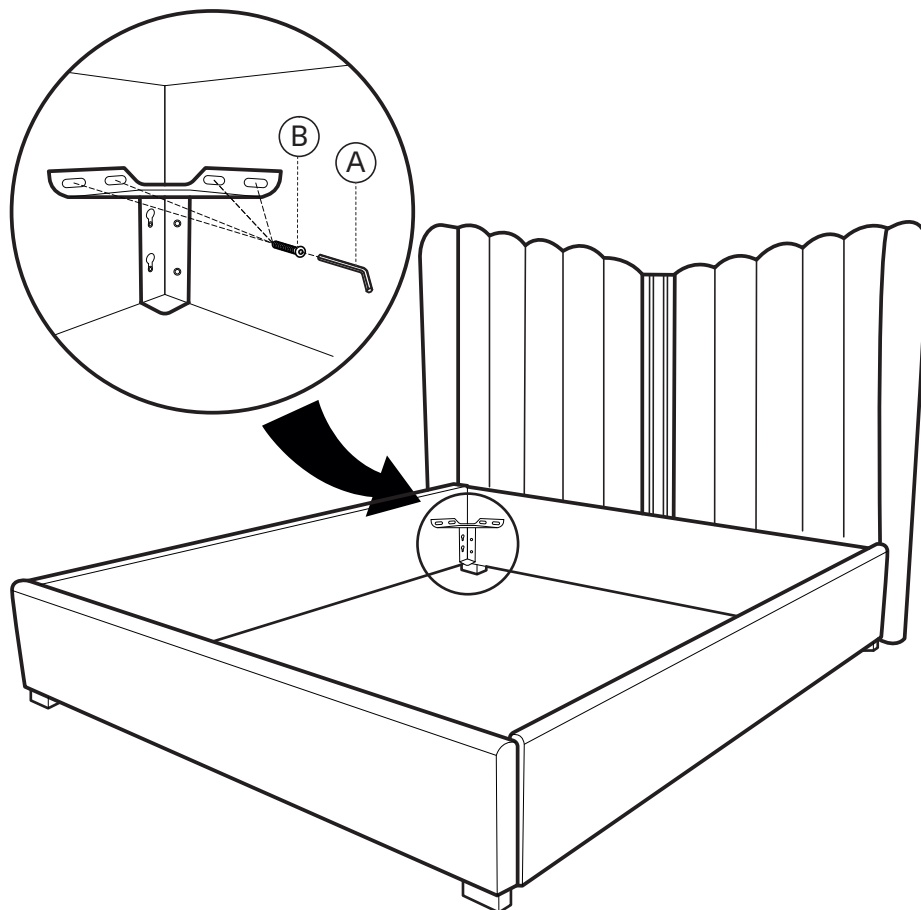
1



2



3



4

