

# KOALA





## L I V I N G

### Assembly Instruction

Product Name: Madrid Charcoal Velvet King Bed

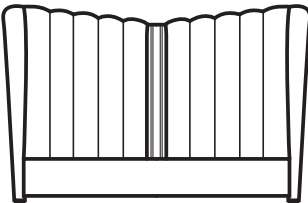
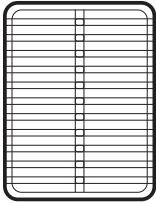


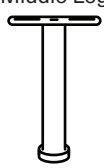

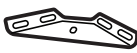
Product Id: 128473

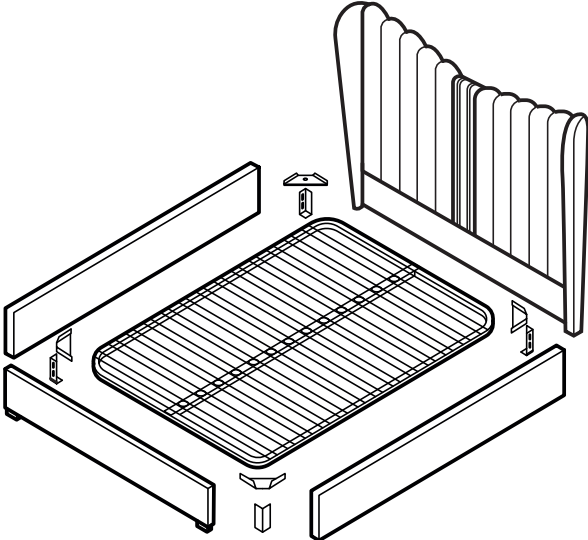
#### Hardware List

A		Bolt 5X66X23mm	1 pc
B		Bolt M8X35mm	32 pcs
C		Bolt M8X50mm	4 pcs
D		Nut	4 pcs




#### Part List

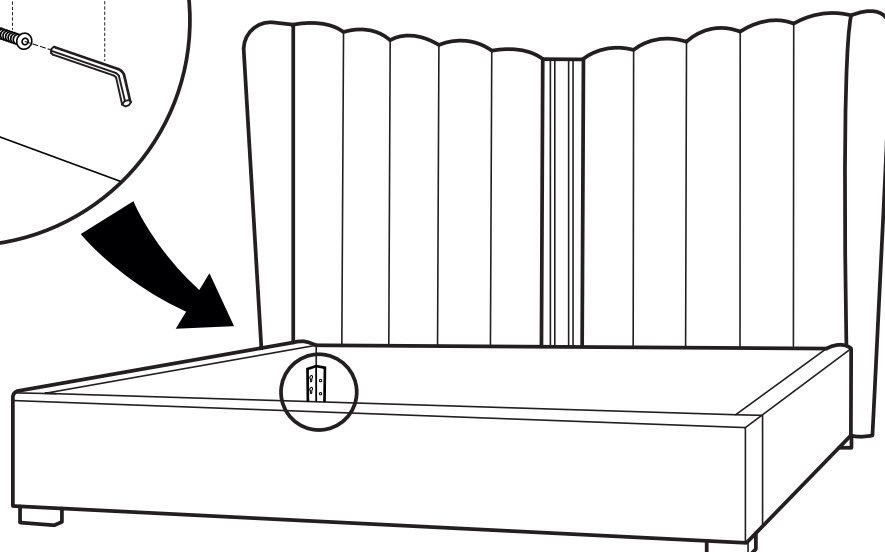
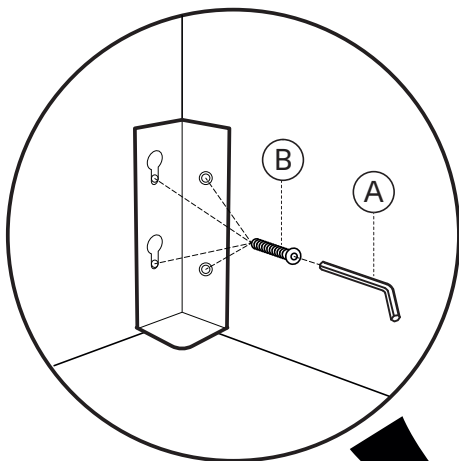
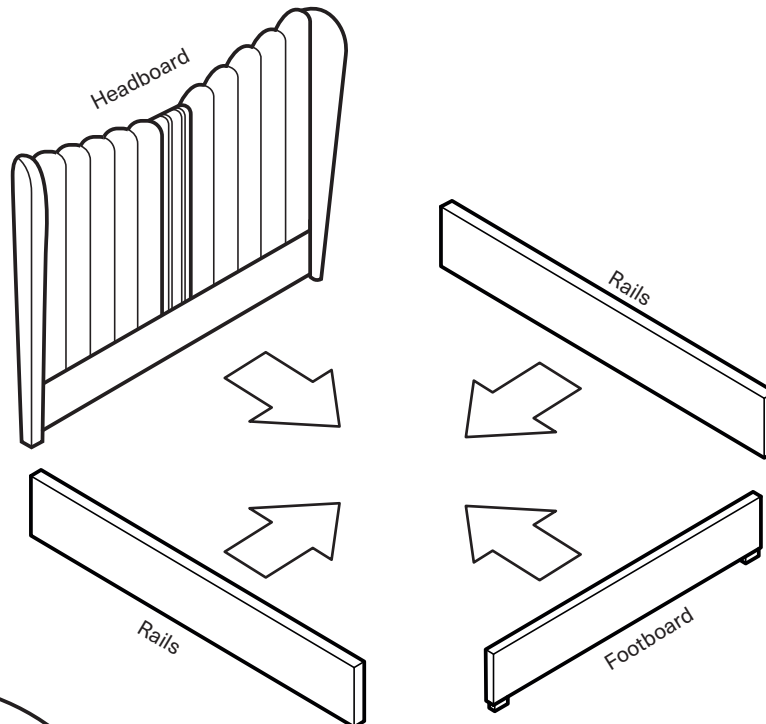
			
Headboard	Bedstead	Rails	
1 pc	1 pc	2 pcs	
			
Footboard	Middle Leg	Accessory	Accessory
1 pc	2 pcs	4 pcs	4 pcs



## Note

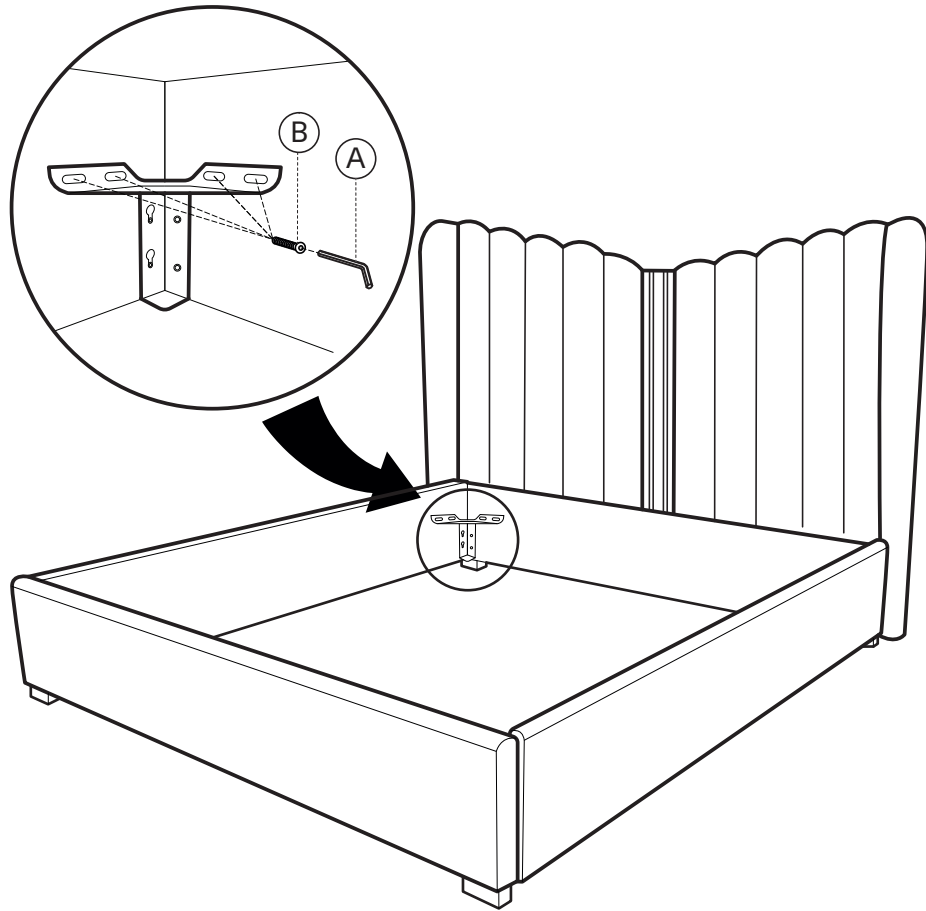
1. Assemble the item on a soft, well-lit surface like cardboard or carpet.
2. For safety and efficiency, it's best to have two or more people assist with assembly to handle heavy parts safely and collaborate effectively.
3. Keep all packaging materials intact until assembly is complete.
4. Before assembling the item, carefully read all provided instructions.
5. Handle tools with care during assembly to prevent injuries.

1



2

3



4

