

KOALA







L I V I N G

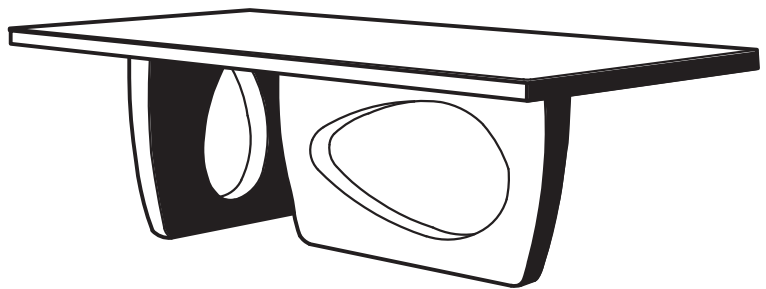
Assembly Instruction

Product Name: Aspen III White Sintered Stone Dining Table - Matte Black Legs

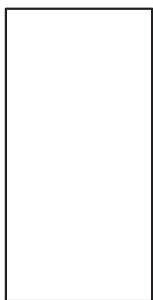
Product Id: 128386

Hardware List

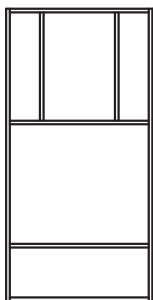
A		Allen Key 5mm	1 pc
B		Allen Key 4mm	1 pc
C		Allen Bolt M8*55	8 pcs
D		Allen Bolt M6*16	3 pcs
E		Stopper	10 pcs
F		Glider	8 pcs



Part List



1 pc



1 pc



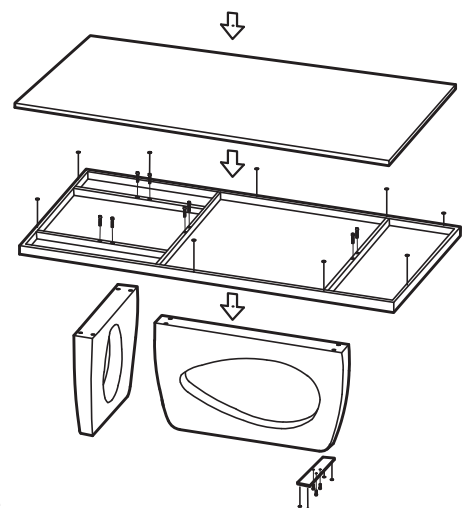
1 pc



1 pc



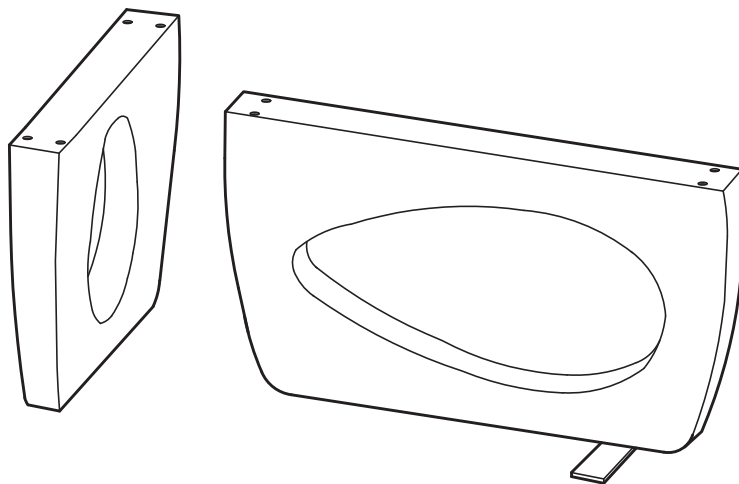
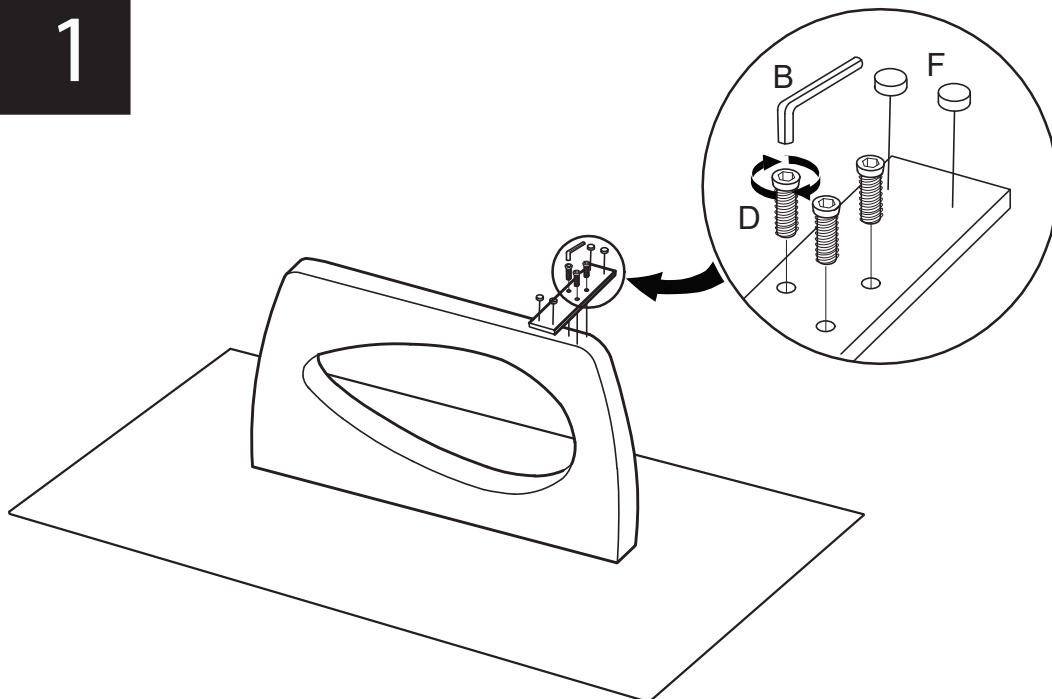
1 pc



Note

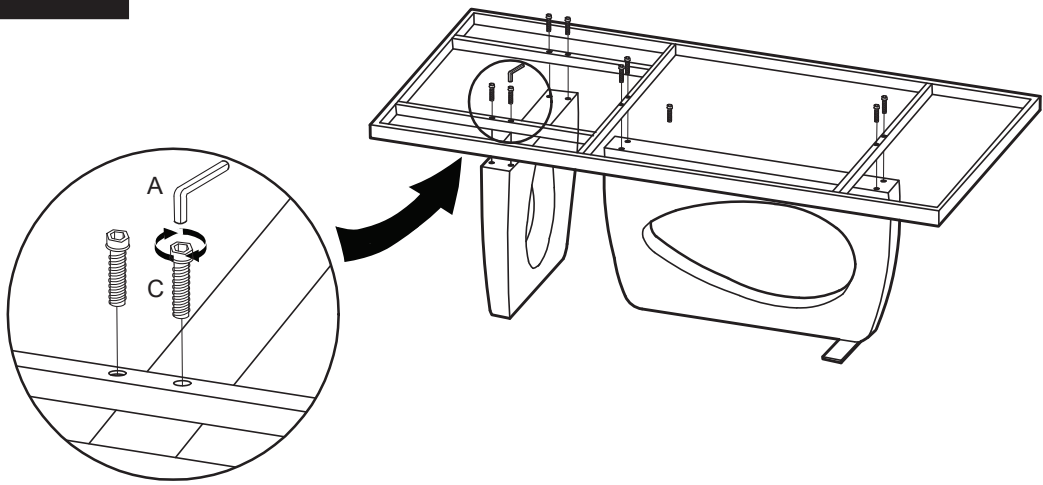
1. Assemble the item on a soft, well-lit surface like cardboard or carpet.
2. For safety and efficiency, it's best to have two or more people assist with assembly to handle heavy parts safely and collaborate effectively.
3. Keep all packaging materials intact until assembly is complete.
4. Before assembling the item, carefully read all provided instructions.
5. Handle tools with care during assembly to prevent injuries.

1

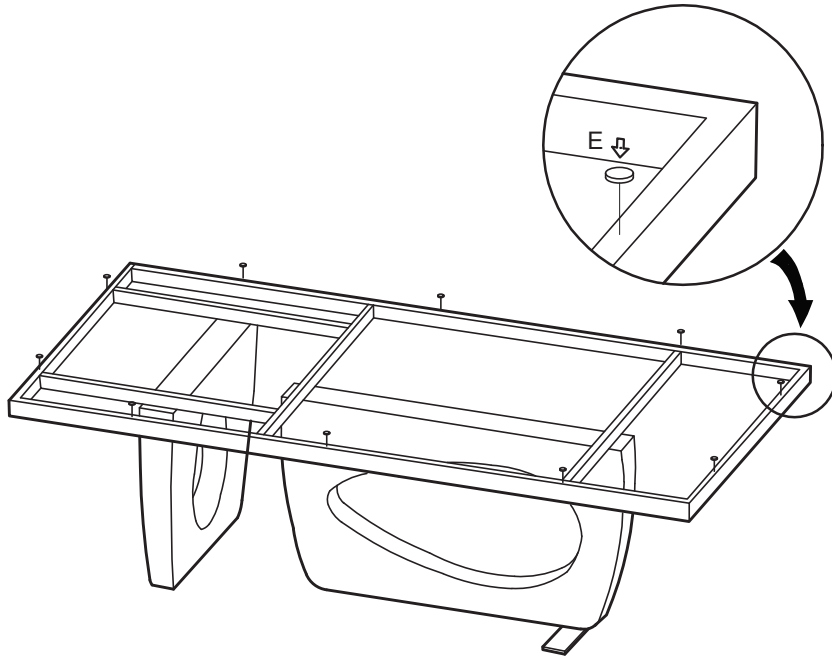


2

3



4



5

