





KOALA

L I V I N G

Assembly Instruction

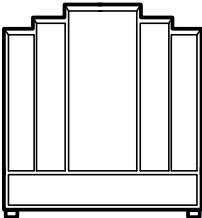
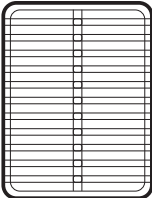

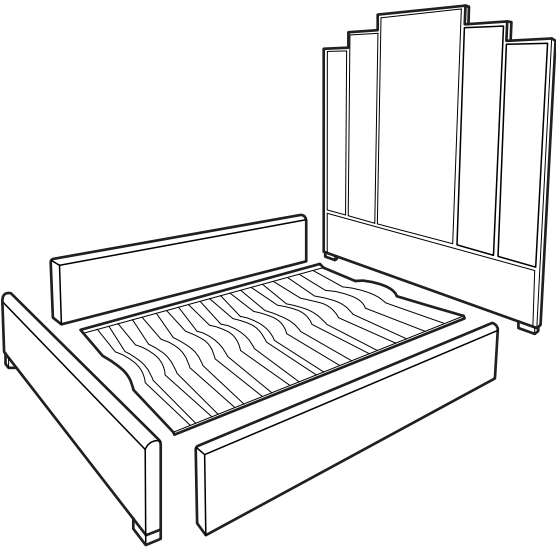

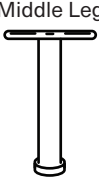

Product Name: Jacques Olive Green Velvet King Bed - Brushed Champagne Gold Frame
 Product Id: 128274

Hardware List

A		Bolt 5X66X23mm	1 pc
B		Bolt M8X35mm	32 pcs
C		Bolt M8X50mm	2 pcs
D		Nut	2 pcs



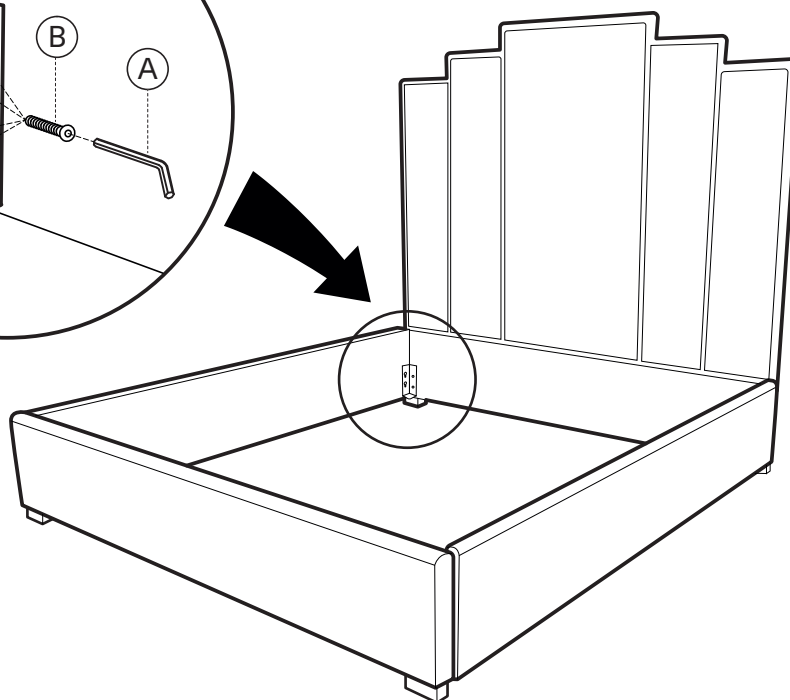
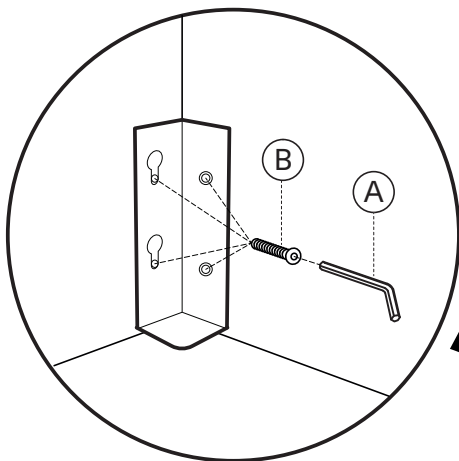
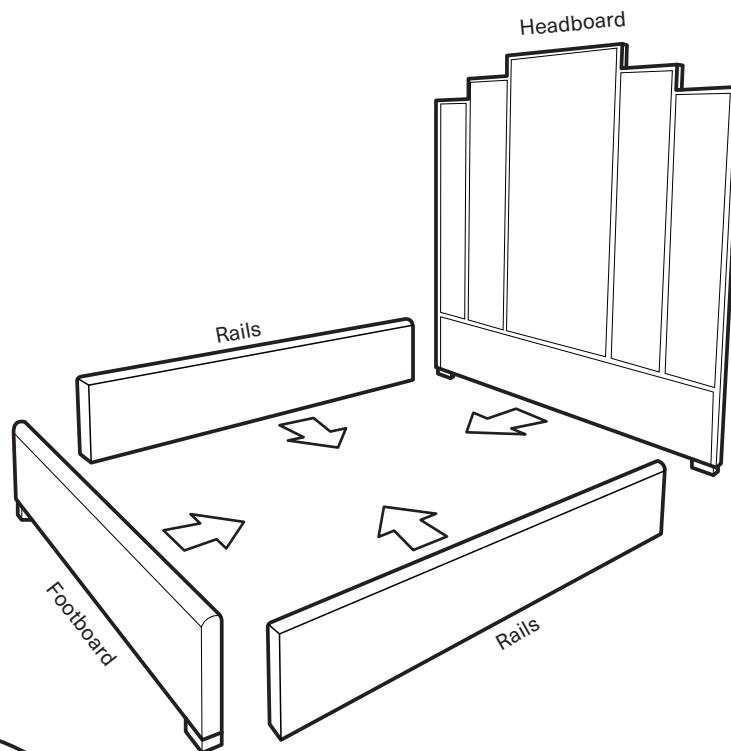

Part List

 Headboard 1 pc	 Bedstead 1 pc	 Rails 2 pcs	
 Footboard 1 pc	 Middle Leg 2 pcs	 Accessory 4 pcs	

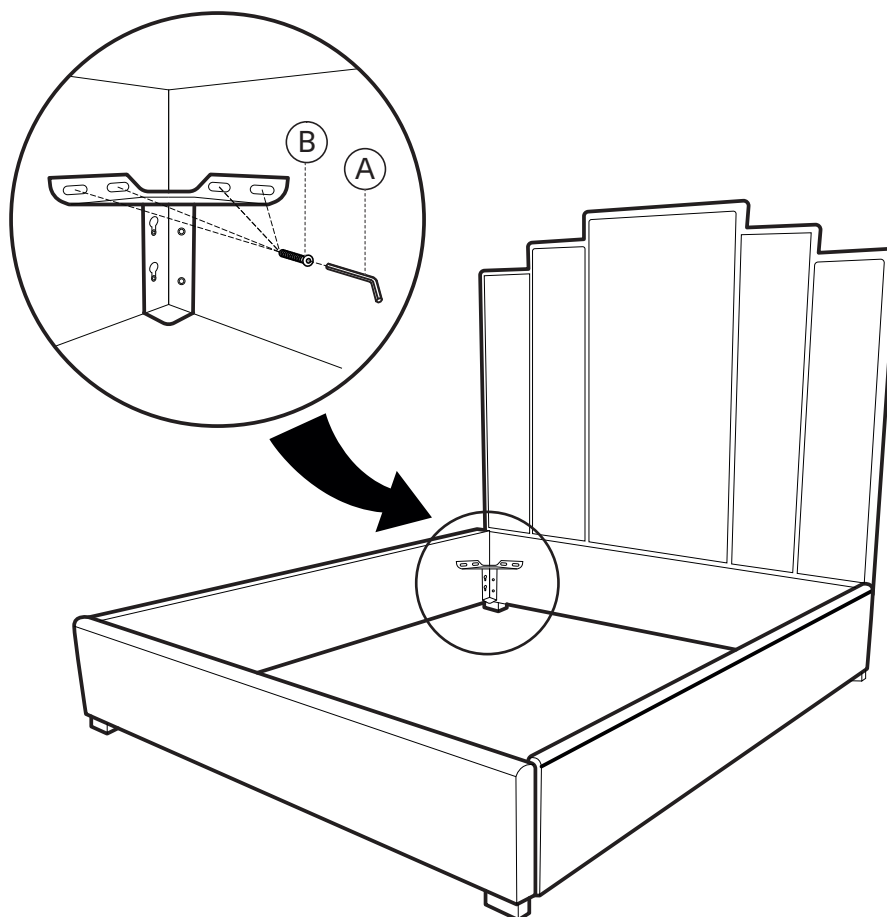
Note

1. Assemble the item on a soft, well-lit surface like cardboard or carpet.
2. For safety and efficiency, it's best to have two or more people assist with assembly to handle heavy parts safely and collaborate effectively.
3. Keep all packaging materials intact until assembly is complete.
4. Before assembling the item, carefully read all provided instructions.
5. Handle tools with care during assembly to prevent injuries.

1



3



4

