

KOALA





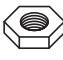




L I V I N G

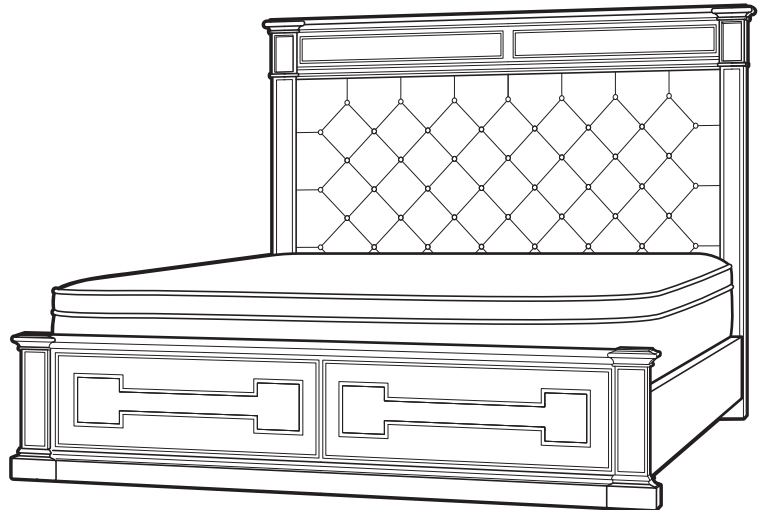
Assembly Instruction

Product Name: Solitude Brushed Black Queen Bed

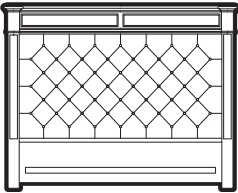
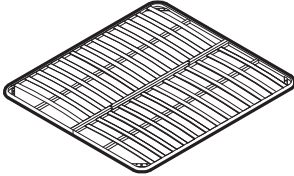
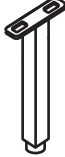
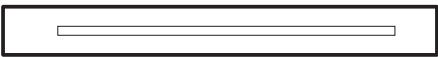
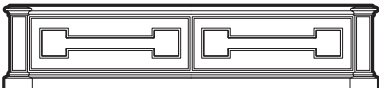
Product Id: 127877

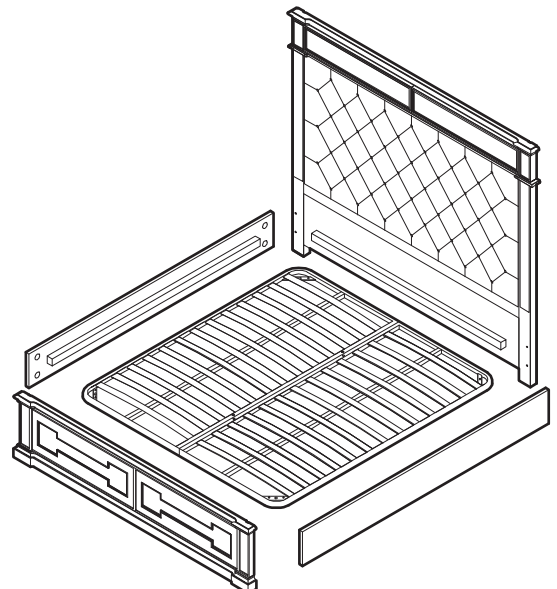
Hardware List

A		Allen Wrench 5mm	1 pc
B		Allen Bolt 5/16" * 50mm	6 pcs
C		Flat Washer 5/16" * 19mm	6 pcs
D		Spring Washer 5/16" * 12mm	14 pcs
E		Bolt 5/16" * 8mm	12 pcs
F		Full Tooth Screw 5/16" * 90mm	8 pcs
G		Half Crescent Pad 30 * 14 * 8mm	8 pcs
H		Flat Washer 5/16" * 16mm	8 pcs
I		Wrench 87 * 14 * 2mm	1 pc



Part List

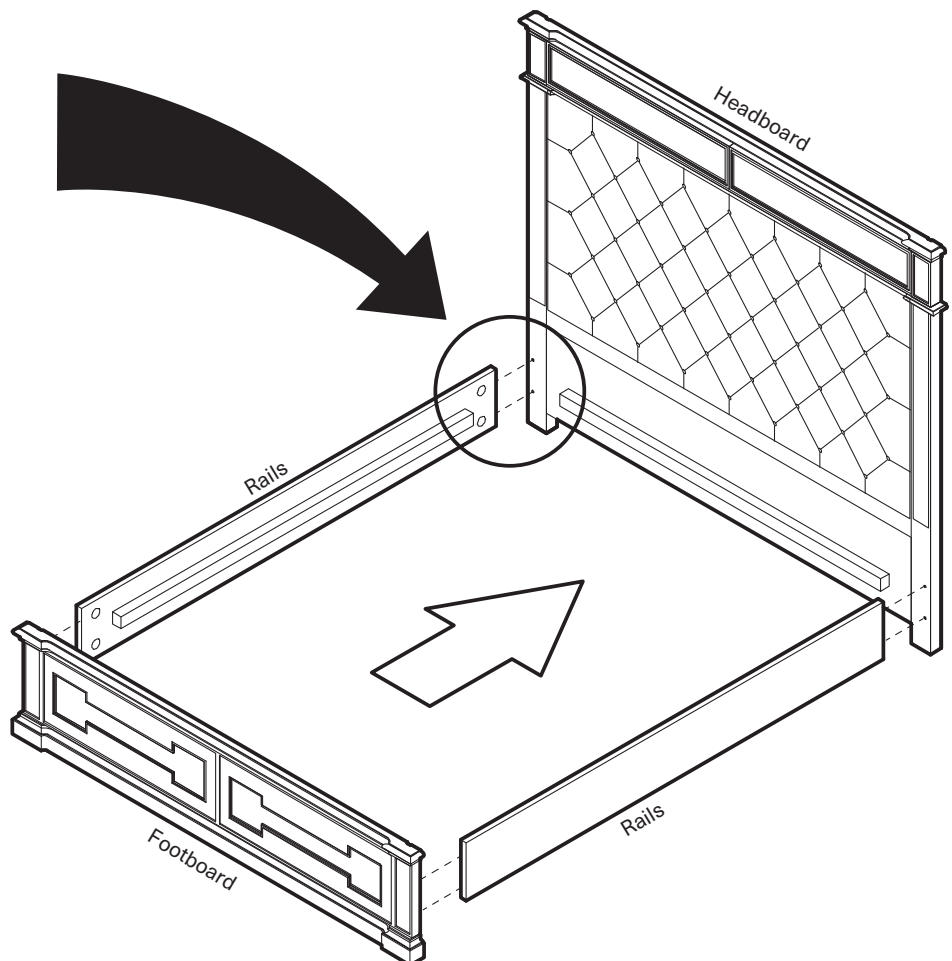
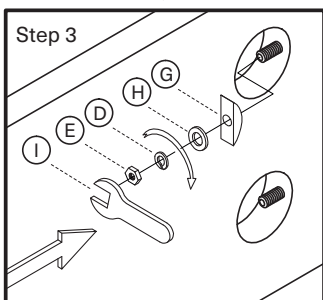
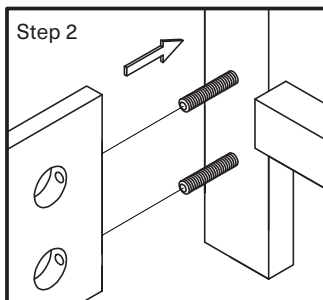
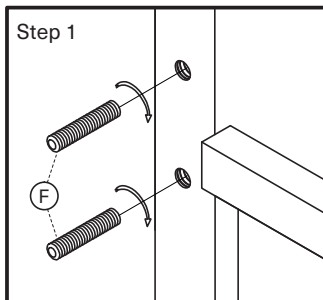
Headboard	Bedstead	Middle Leg
		
1 pc	1 pc	2 pcs
Rails		2 pcs
Footboard		1 pc



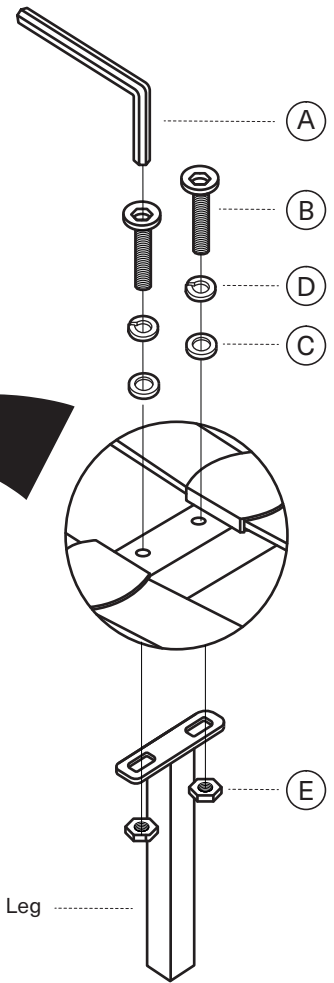
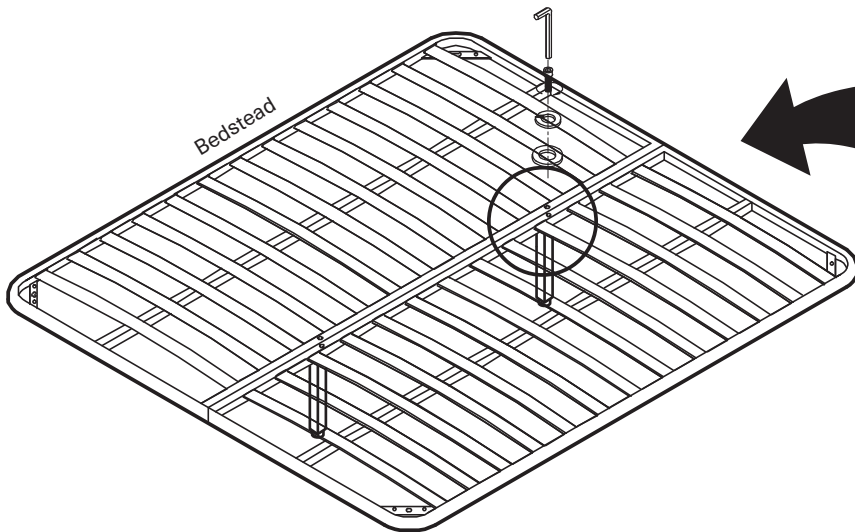
Note

1. Assemble the item on a soft, well-lit surface like cardboard or carpet.
2. For safety and efficiency, it's best to have two or more people assist with assembly to handle heavy parts safely and collaborate effectively.
3. Keep all packaging materials intact until assembly is complete.
4. Before assembling the item, carefully read all provided instructions.
5. Handle tools with care during assembly to prevent injuries.

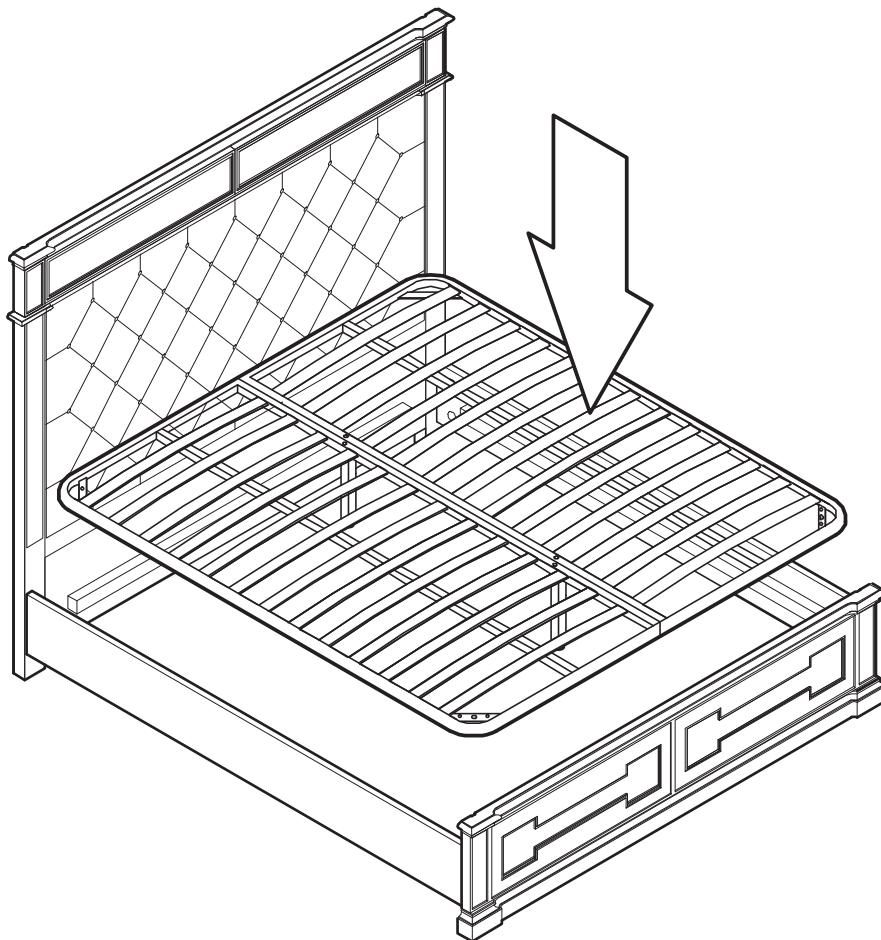
1



2

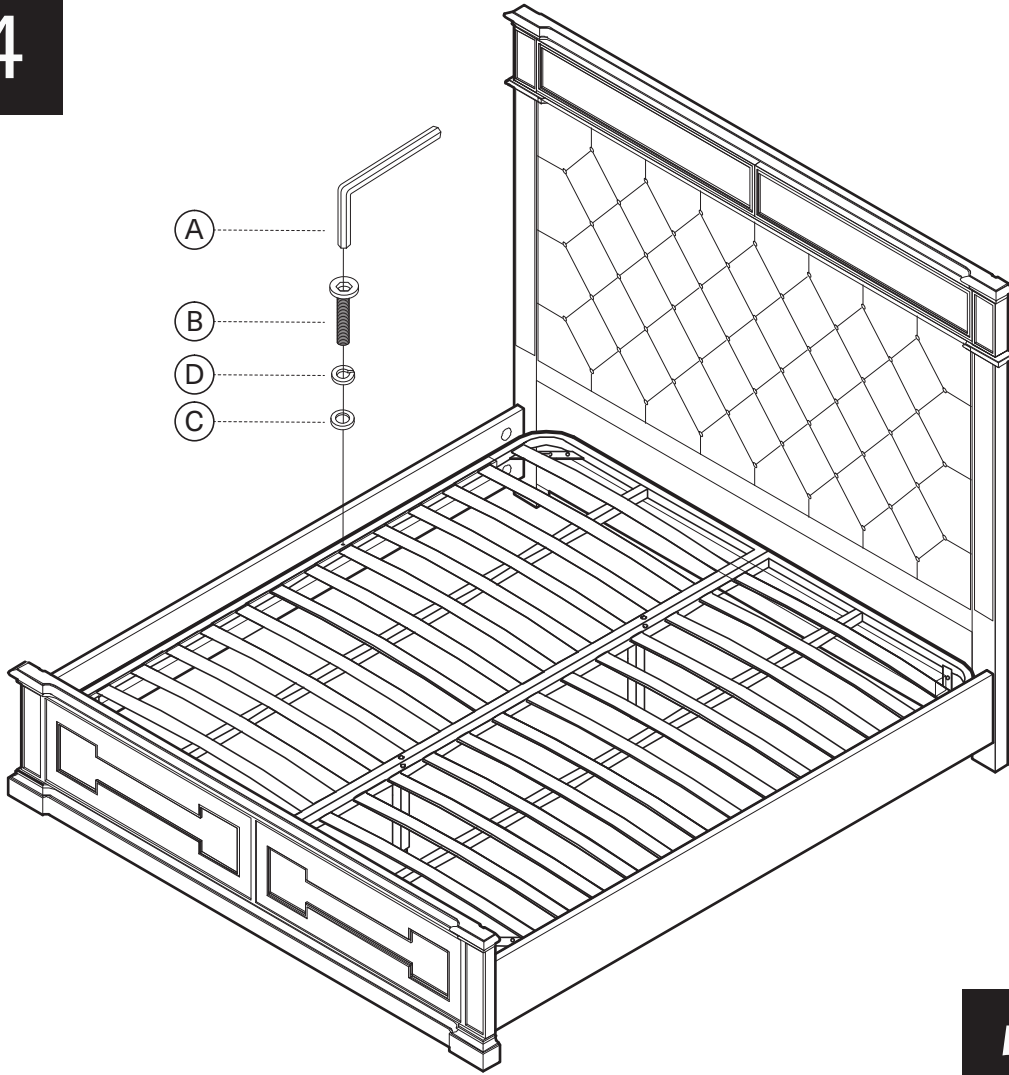


Middle Leg



3

4



5

