

# KOALA





## L I V I N G

### Assembly Instruction

Product Name: Gertrude Olive Green Velvet Queen Bed  
 Brushed Champagne Gold Stainless Steel Frame

Product Id: 127869

#### Hardware List

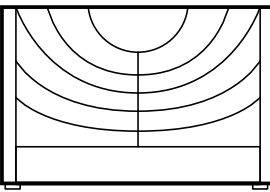
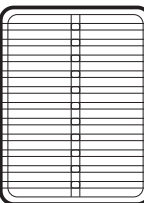

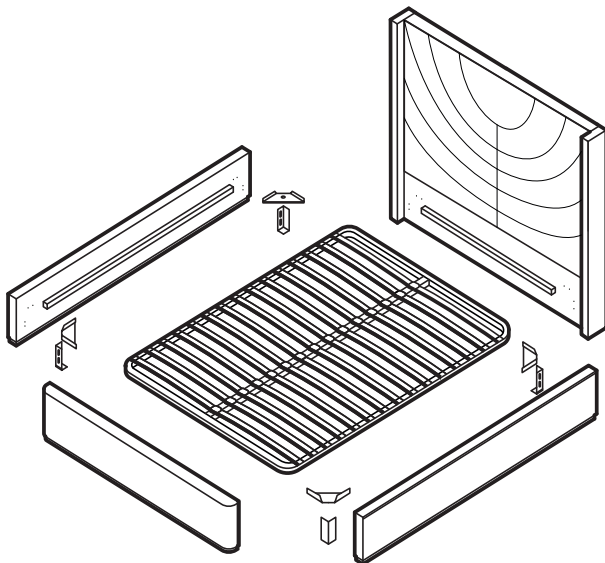

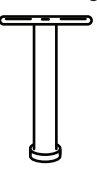


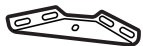
A		Allen Wrench 5X66X23mm	1 pc
B		Allen Bolt M8X35mm	32 pcs
C		Allen Bolt M8X50mm	2 pcs
D		Nut	2 pcs



**Note**

The bolts (B) are pre-installed on the bed head, side rails, footboard and bolts (C) is on the support legs. Please unscrew them to assemble the bed.

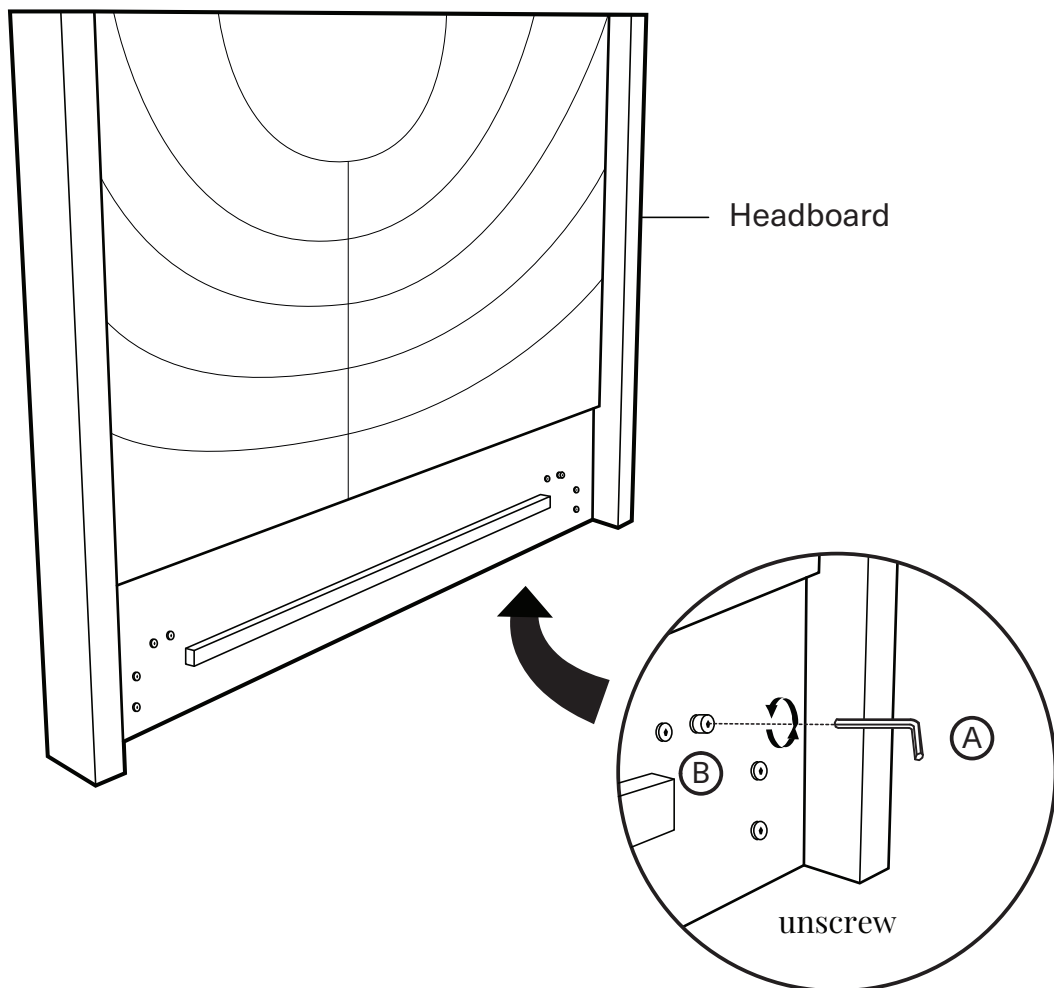
#### Part List

					
1 pc	1 pc	2 pcs			
					
1 pc	1 pc	2 pcs	2 pcs	4 pcs	

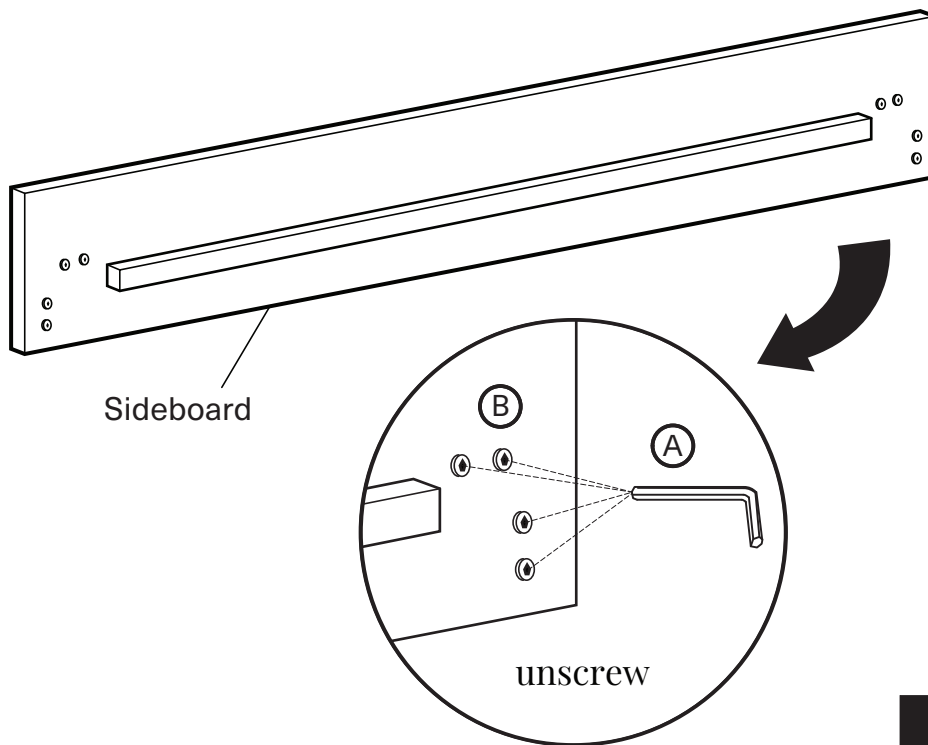
## Note

1. Assemble the item on a soft, well-lit surface like cardboard or carpet.
2. For safety and efficiency, it's best to have two or more people assist with assembly to handle heavy parts safely and collaborate effectively.
3. Keep all packaging materials intact until assembly is complete.
4. Before assembling the item, carefully read all provided instructions.
5. Handle tools with care during assembly to prevent injuries.

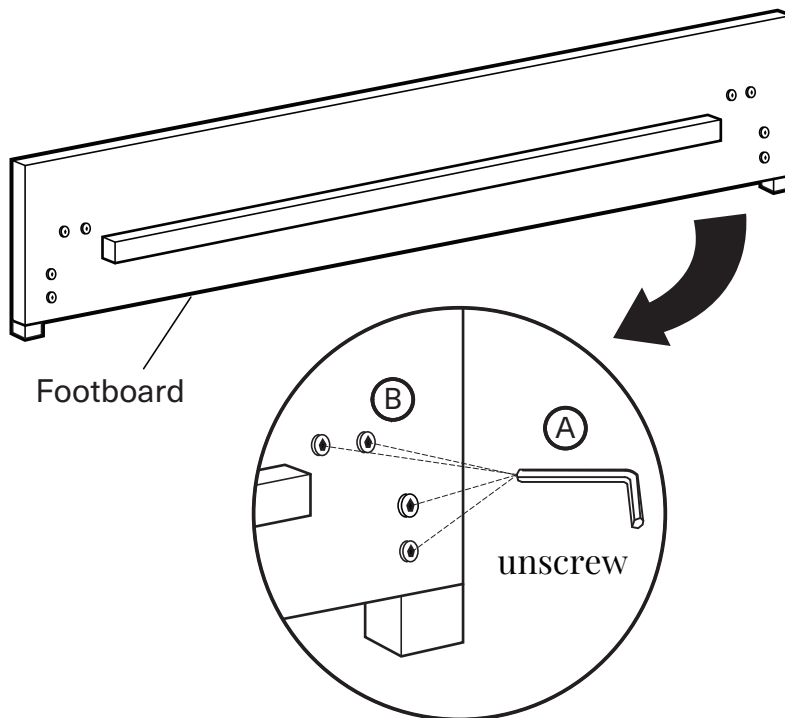
1



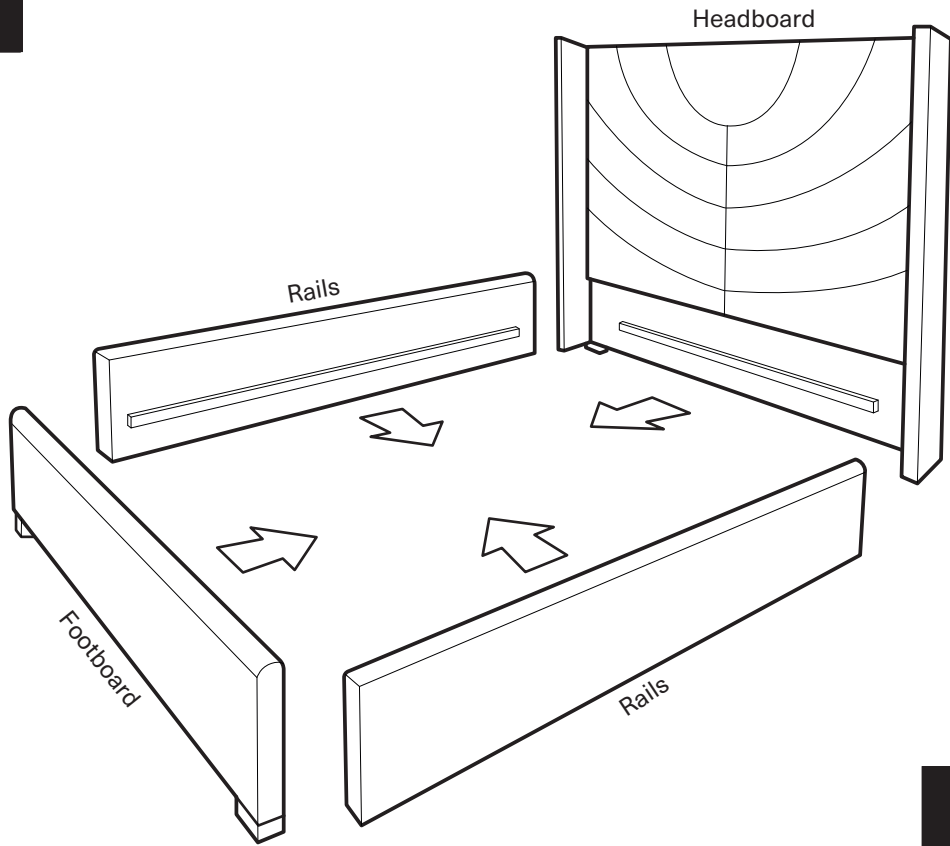
2



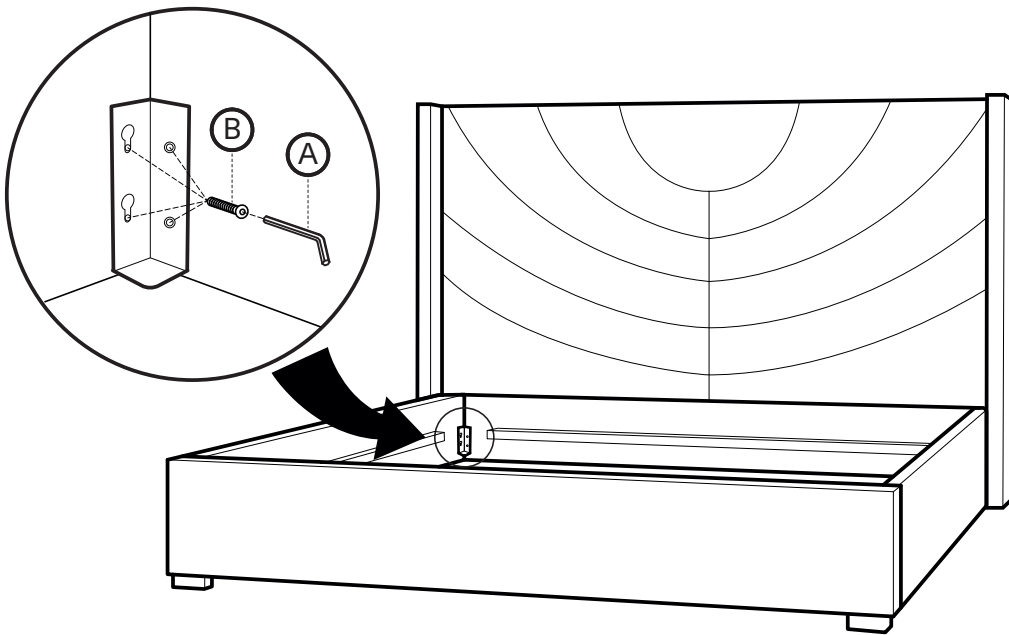
3



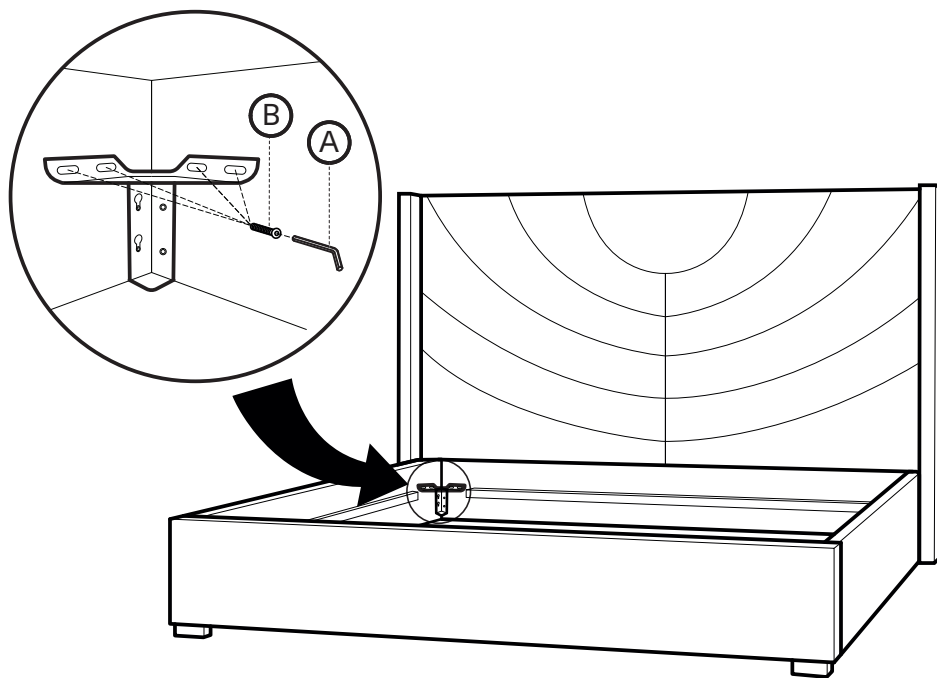
4



5



6



7

