





KOALA


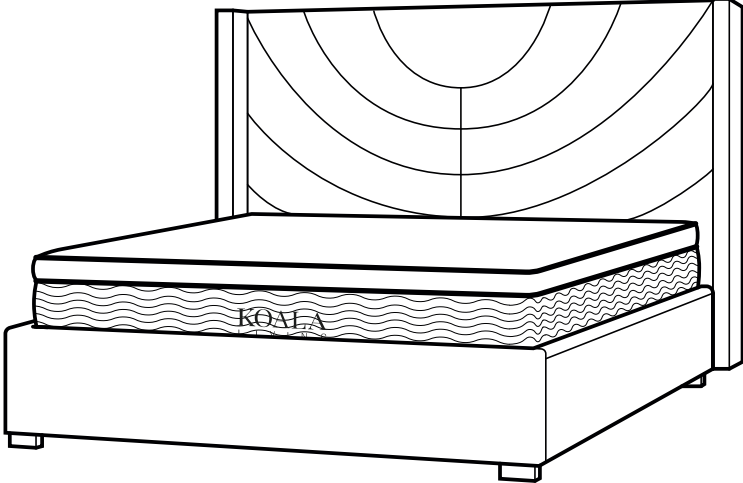
L I V I N G

Assembly Instruction

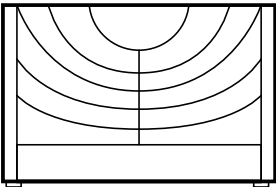
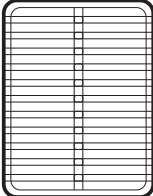



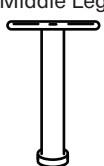

Product Name: Gertrude Olive Green Velvet King Bed
 Brushed Champagne Gold Stainless Steel Frame
 Product Id: 127868

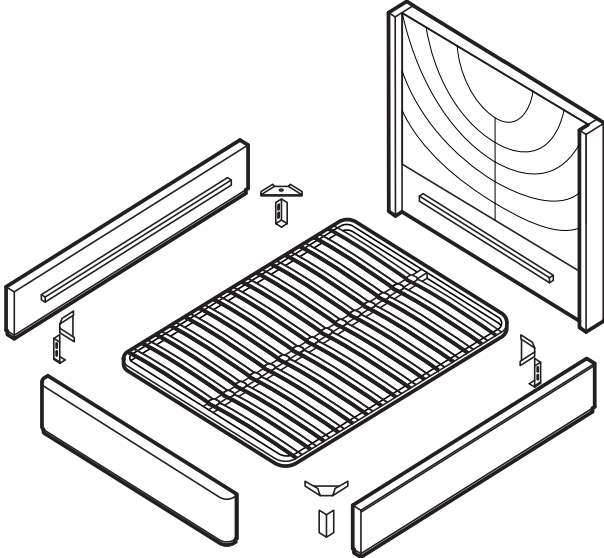
Hardware List

A		Bolt 5X66X23mm	1 pc
B		Bolt M8X35mm	32 pcs
C		Bolt M8X50mm	4 pcs
D		Nut	4 pcs

Part List

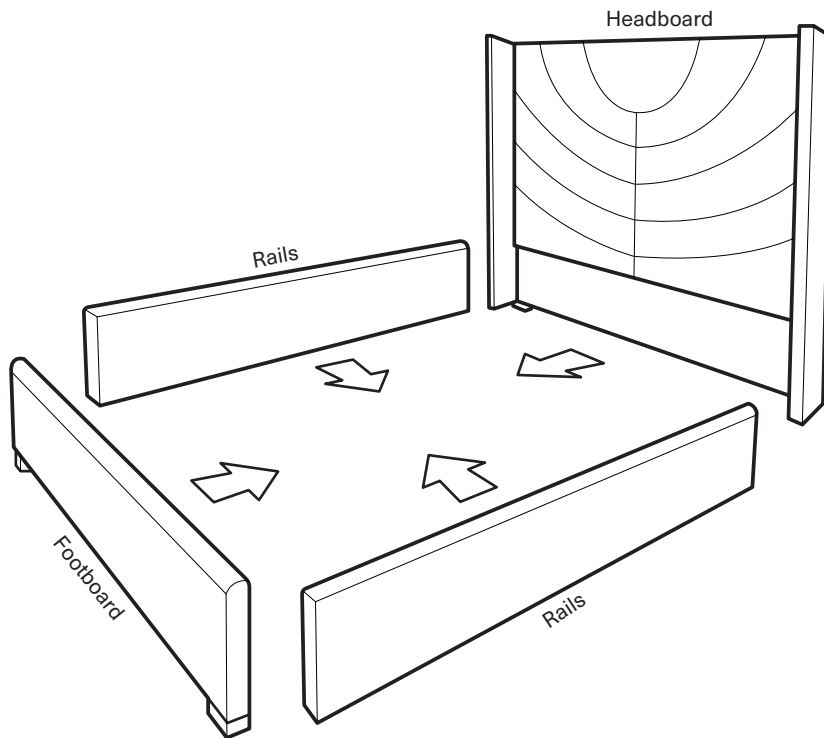
			
Headboard	Bedstead	Rails	
1 pc	1 pc	2 pcs	
			
Footboard	Middle Leg	Accessory	Accessory
1 pc	2 pcs	4 pcs	4 pcs



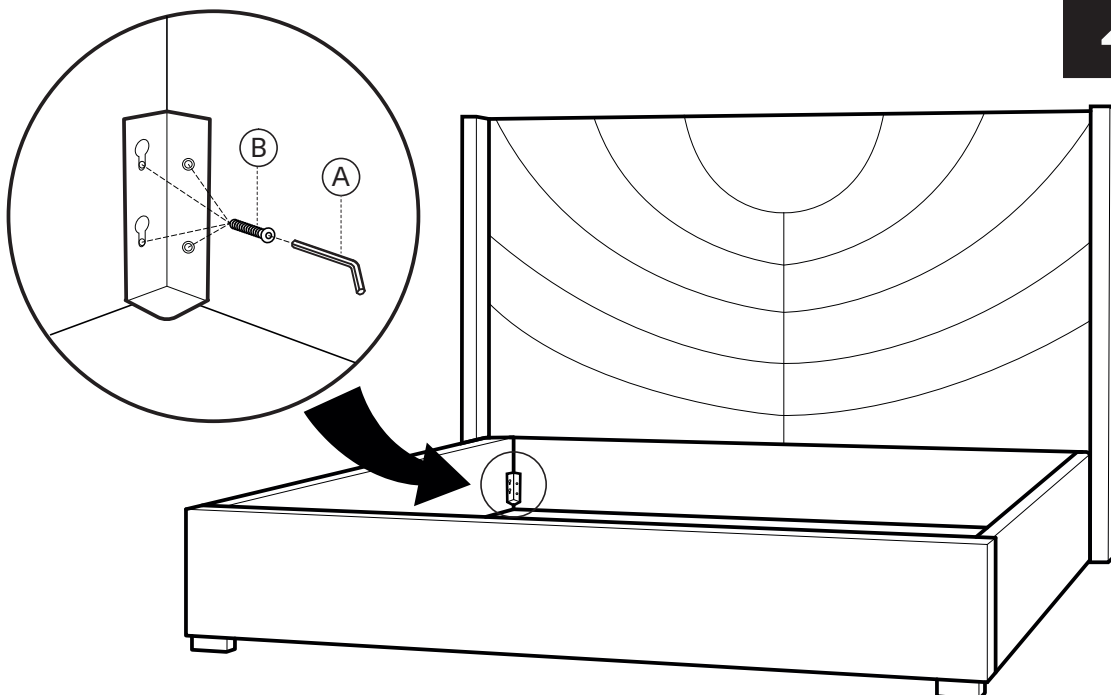
Note

1. Assemble the item on a soft, well-lit surface like cardboard or carpet.
2. For safety and efficiency, it's best to have two or more people assist with assembly to handle heavy parts safely and collaborate effectively.
3. Keep all packaging materials intact until assembly is complete.
4. Before assembling the item, carefully read all provided instructions.
5. Handle tools with care during assembly to prevent injuries.

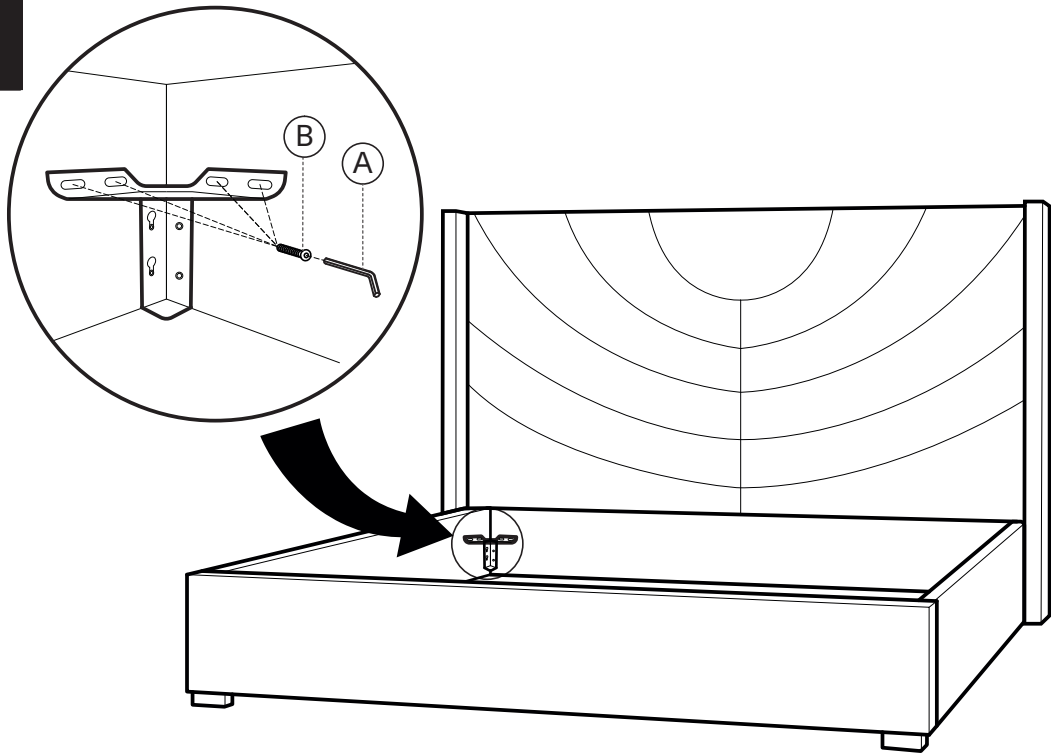
1



2



3



4

