





KOALA

L I V I N G

Assembly Instruction

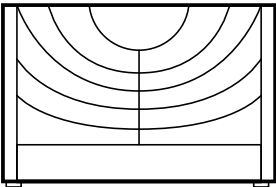
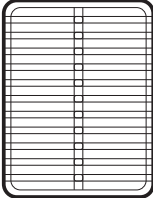


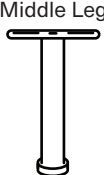


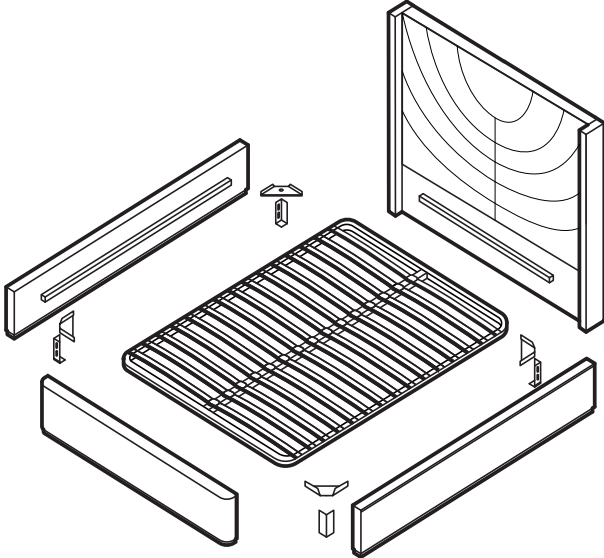
Product Name: Gertrude Charcoal Velvet Queen Bed
 Brushed Black Nickel Stainless Steel Frame
 Product Id: 127867

Hardware List

A		Bolt 5X66X23mm	1 pc
B		Bolt M8X35mm	32 pcs
C		Bolt M8X50mm	4 pcs
D		Nut	4 pcs



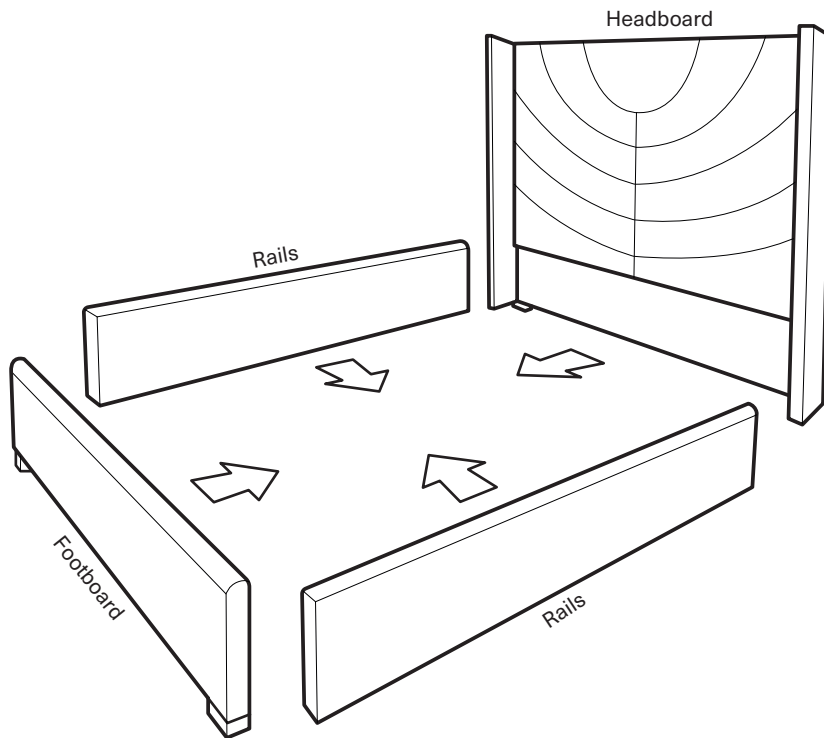

Part List

							
1 pc	1 pc	2 pcs	1 pc	2 pcs	4 pcs	4 pcs	

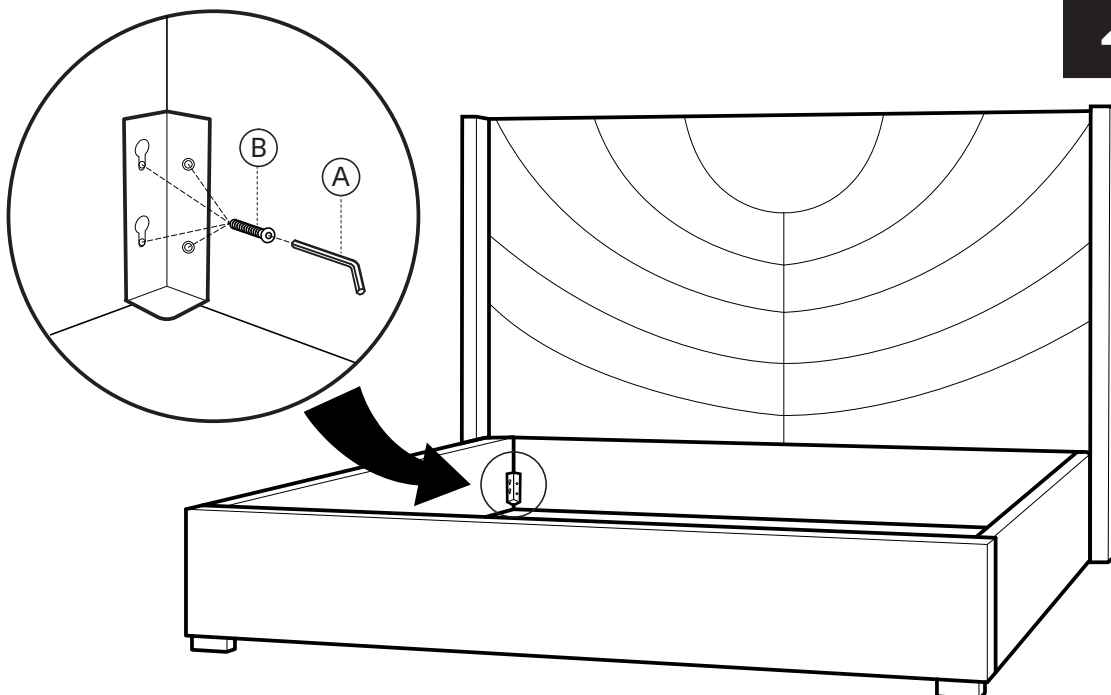
Note

1. Assemble the item on a soft, well-lit surface like cardboard or carpet.
2. For safety and efficiency, it's best to have two or more people assist with assembly to handle heavy parts safely and collaborate effectively.
3. Keep all packaging materials intact until assembly is complete.
4. Before assembling the item, carefully read all provided instructions.
5. Handle tools with care during assembly to prevent injuries.

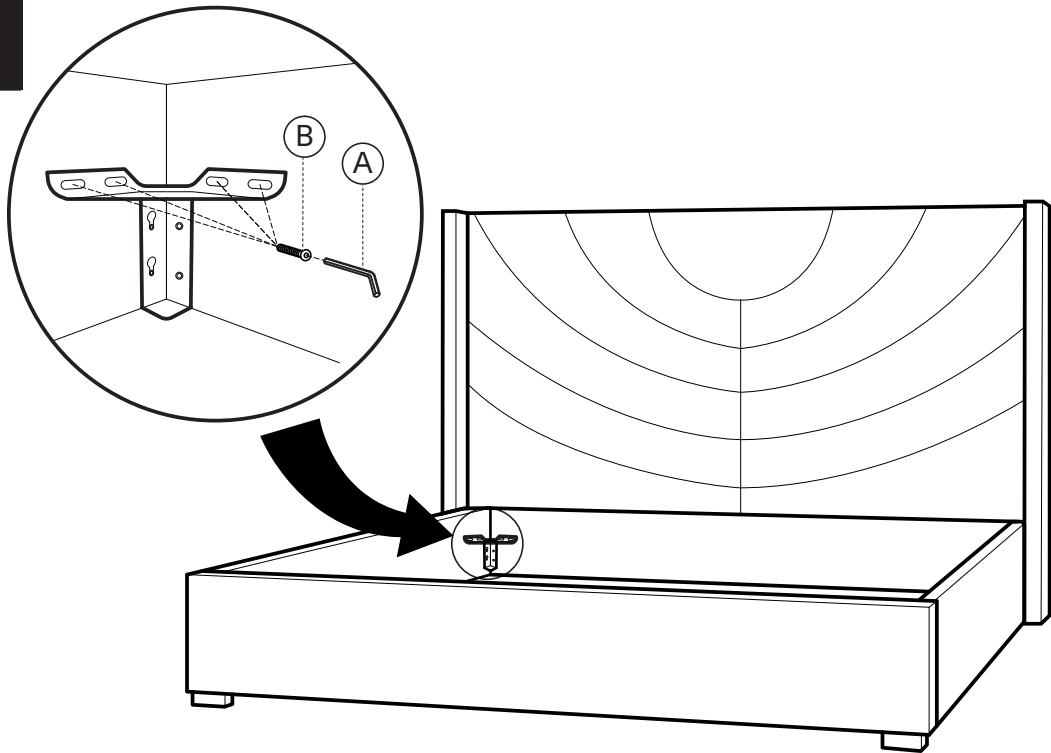
1



2



3



4

