





KOALA

L I V I N G

Assembly Instruction

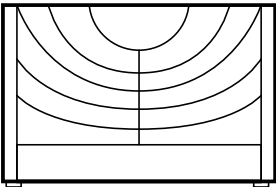
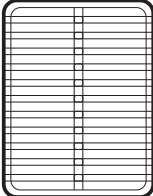



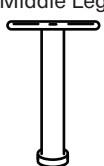

Product Name: Gertrude Charcoal Velvet King Bed
 Brushed Black Nickel Stainless Steel Frame
 Product Id: 127866

Hardware List

| | | | |
|---|---|-------------------|--------|
| A |  | Bolt 5X66X23mm | 1 pc |
| B |  | Bolt M8X35mm | 32 pcs |
| C |  | Bolt M8X50mm | 4 pcs |
| D |  | Nut | 4 pcs |



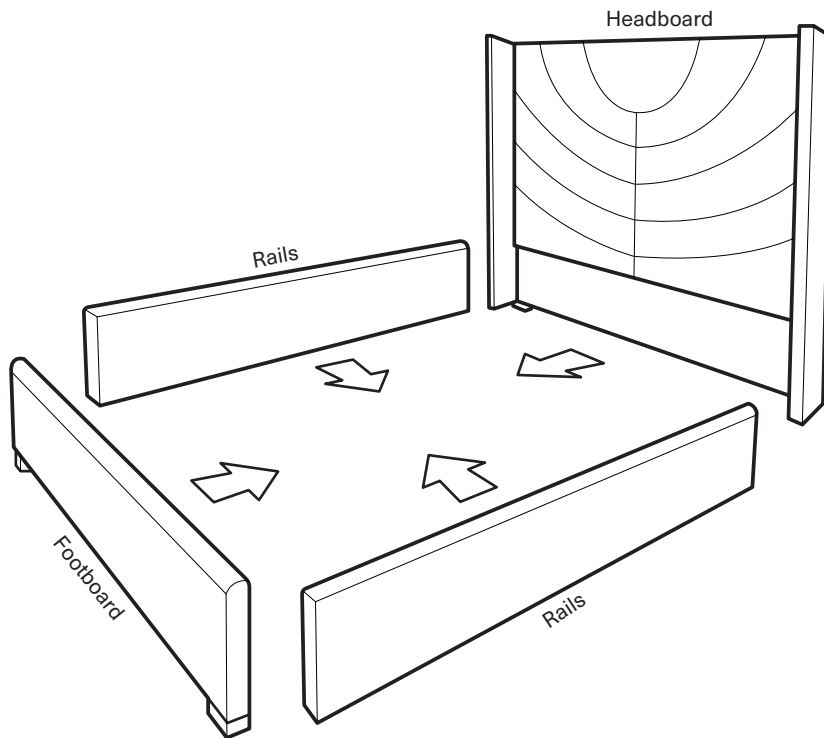
Part List

| | | | |
|--|--|---|--|
|  Headboard 1 pc |  Bedstead 1 pc |  Rails 2 pcs |  |
|  Footboard 1 pc |  Middle Leg 2 pcs |  Accessory 4 pcs | |

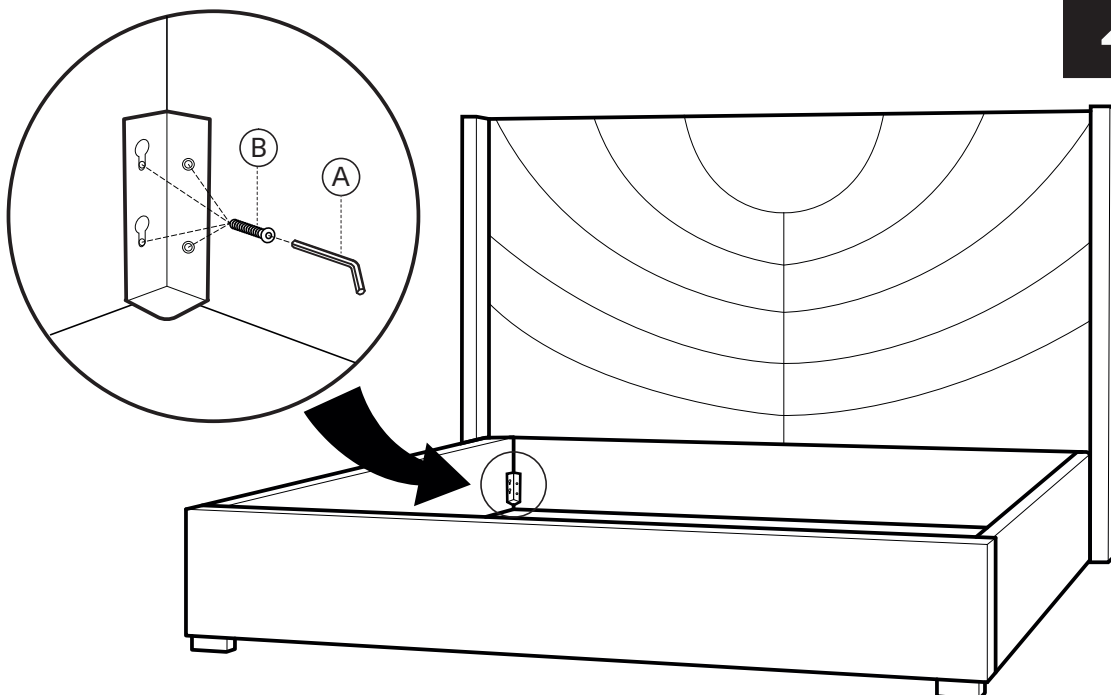
Note

1. Assemble the item on a soft, well-lit surface like cardboard or carpet.
2. For safety and efficiency, it's best to have two or more people assist with assembly to handle heavy parts safely and collaborate effectively.
3. Keep all packaging materials intact until assembly is complete.
4. Before assembling the item, carefully read all provided instructions.
5. Handle tools with care during assembly to prevent injuries.

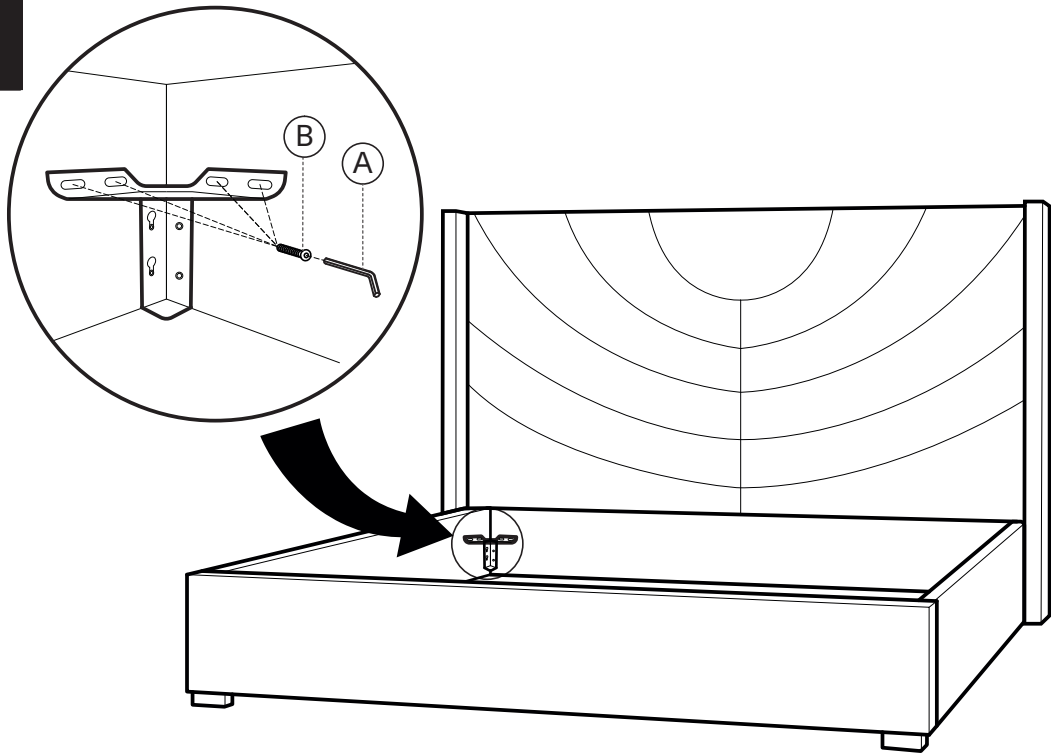
1



2



3



4

