

# KOALA




## L I V I N G

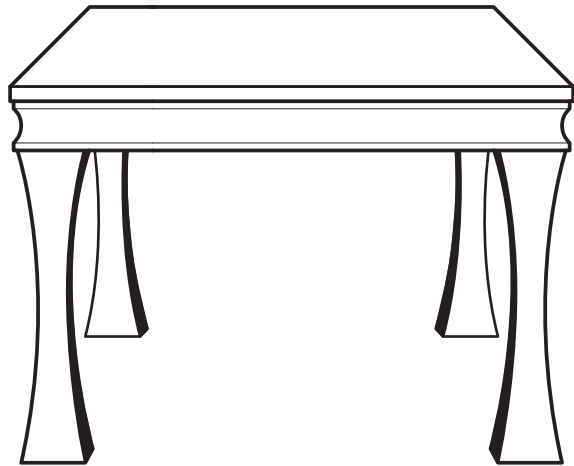
### Assembly Instruction

Product Name: Melody Marble Side Table - Black Legs

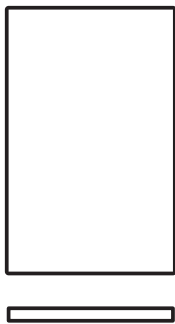
Product Id: 127835

#### Hardware List

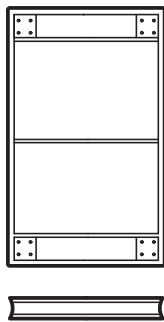
- A  Allen Key 5mm 1 pc
- B  Allen Bolt 16 pcs
- C  Washer 16 pcs



#### Part List



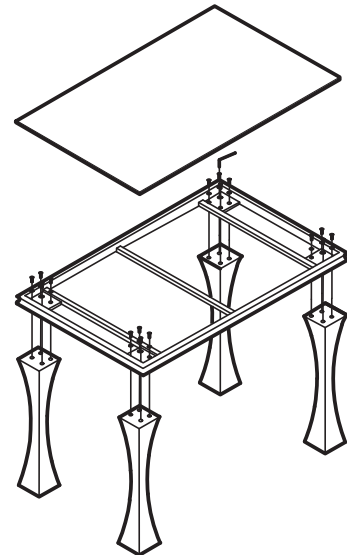
Top  
1 pc



Metal Frame  
1 pc



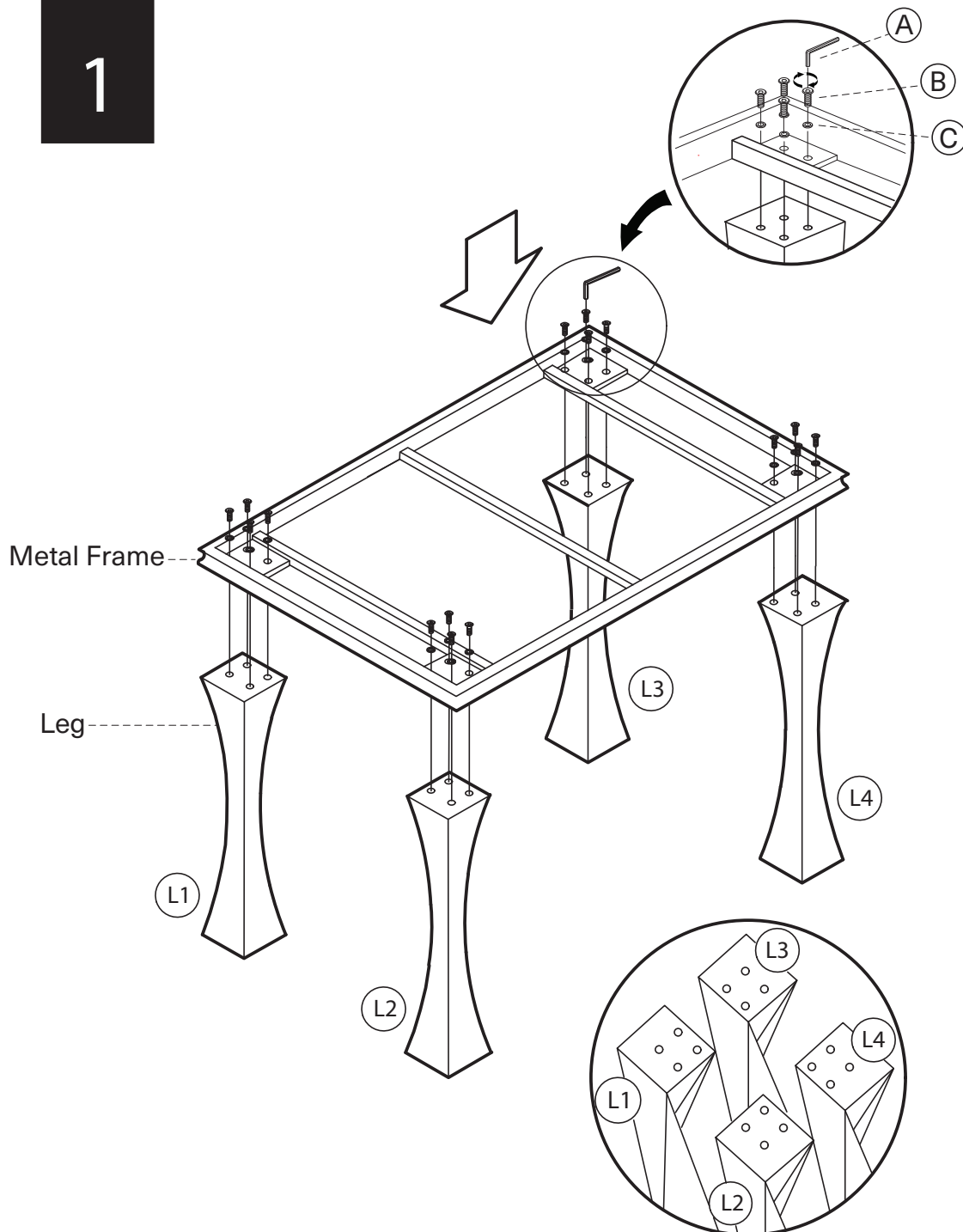
Legs  
4 pcs



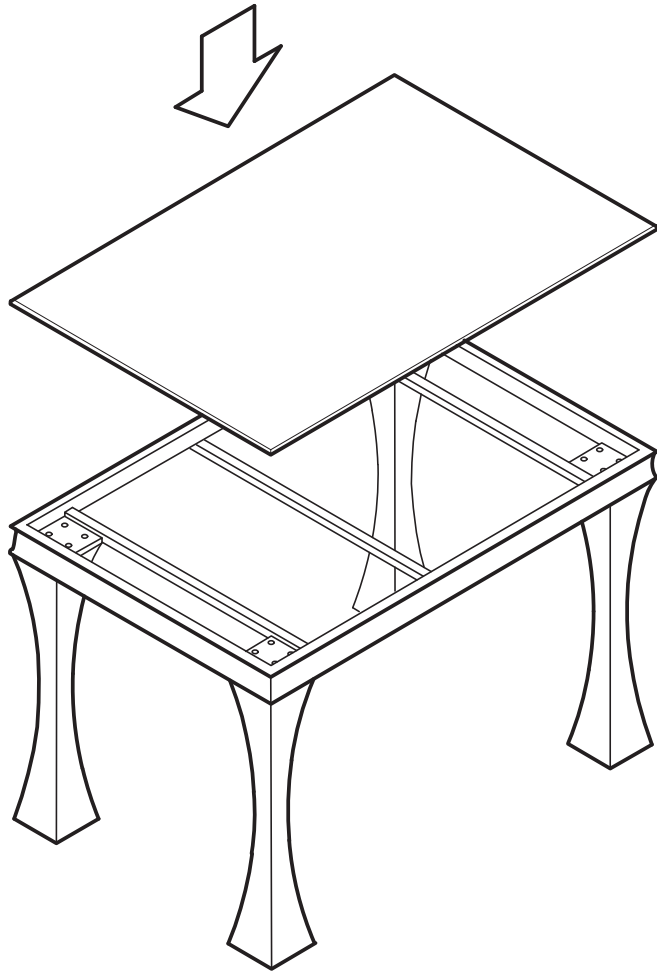
## Note

1. Assemble the item on a soft, well-lit surface like cardboard or carpet.
2. For safety and efficiency, it's best to have two or more people assist with assembly to handle heavy parts safely and collaborate effectively.
3. Keep all packaging materials intact until assembly is complete.
4. Before assembling the item, carefully read all provided instructions.
5. Handle tools with care during assembly to prevent injuries.

1



2



3

