

# KOALA






## L I V I N G

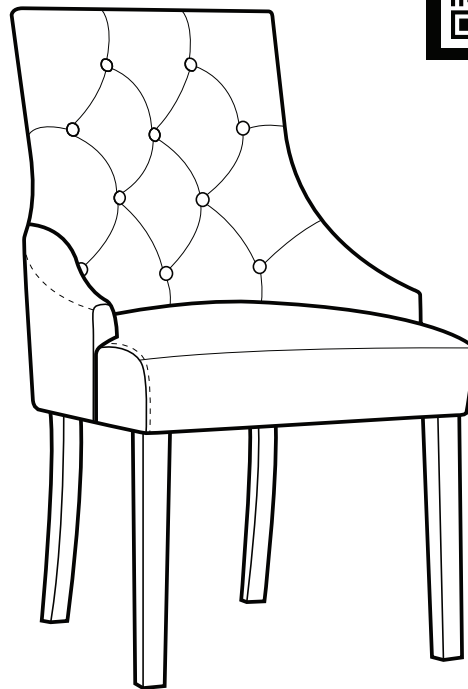
### Assembly Instruction

Product Name: Saxon Charcoal Velvet Dining Chair

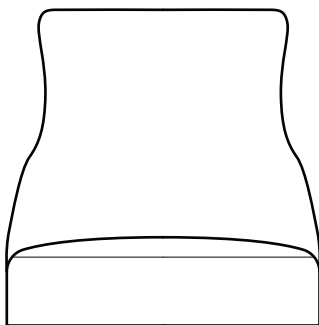
Product Id: 127799

#### Hardware List

A		Allen Key	1 pc
B		Allen Bolt M8x60mm	4 pcs
C		Allen Bolt M8x45mm	4 pcs
D		Spring Washer	8 pcs
E		Washer Ø8mm	8 pcs



#### Part List



Seat  
1 pc



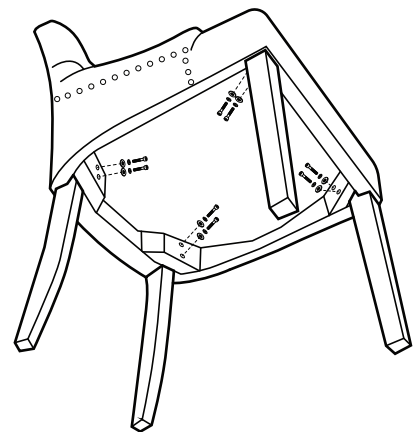
Leg A  
1 pc



Leg B  
1 pc



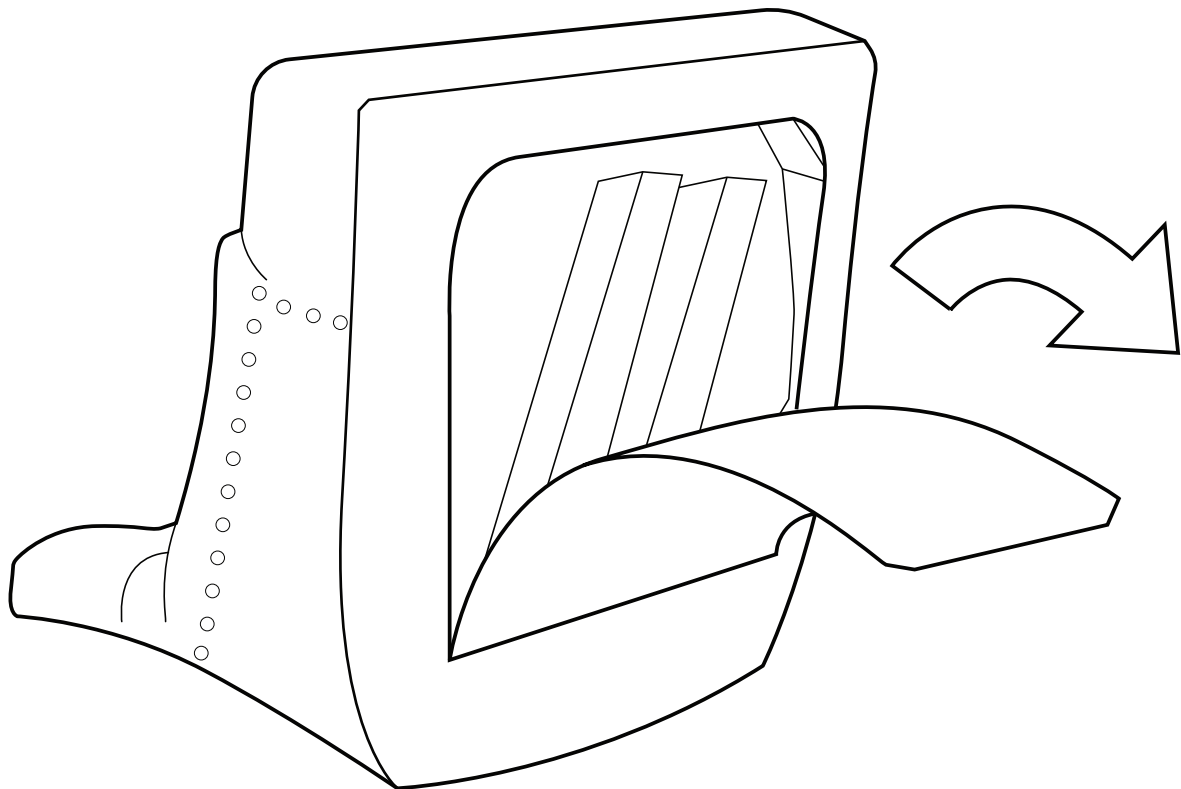
Leg C  
2 pcs



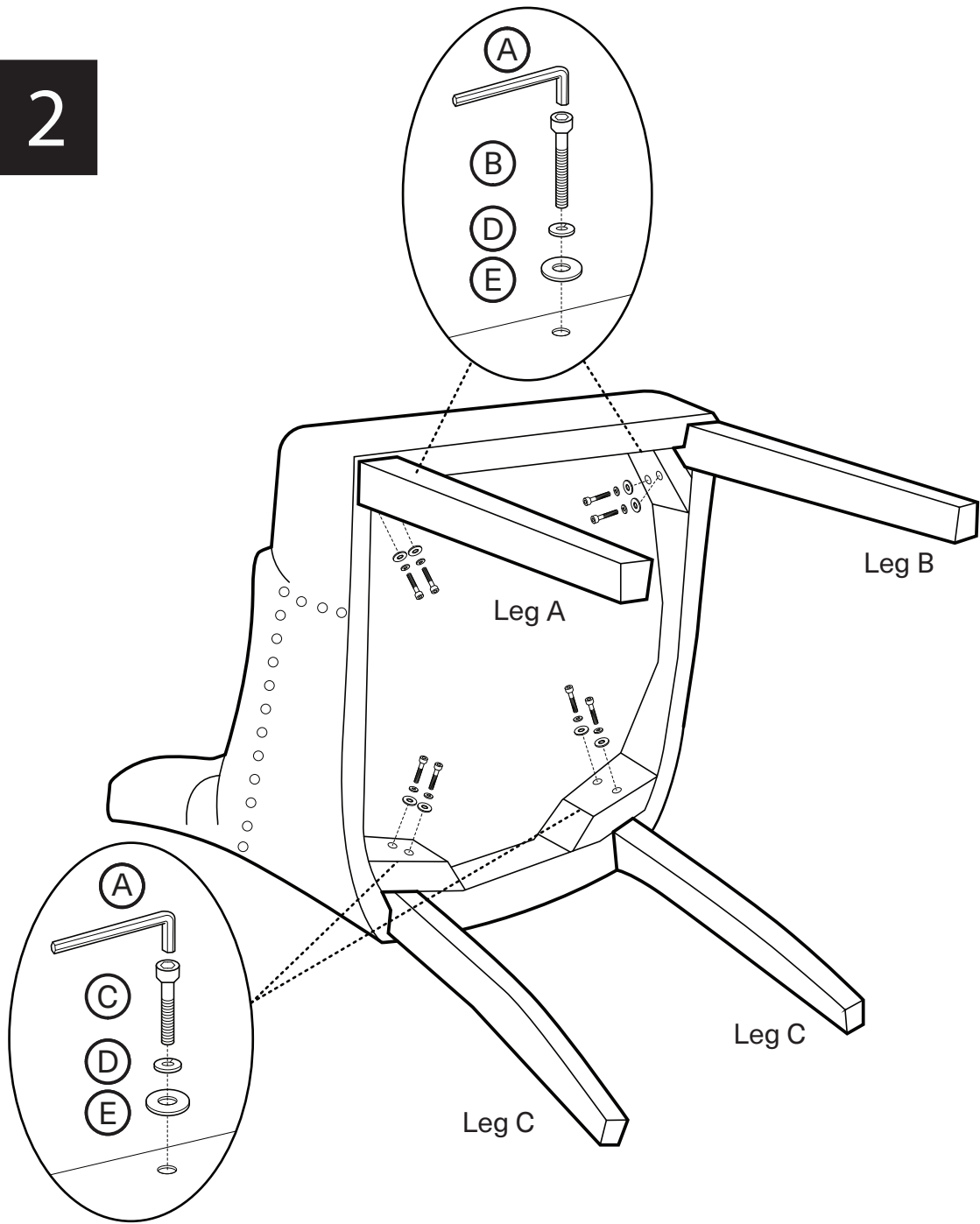
## Note

1. Assemble the item on a soft, well-lit surface like cardboard or carpet.
2. For safety and efficiency, it's best to have two or more people assist with assembly to handle heavy parts safely and collaborate effectively.
3. Keep all packaging materials intact until assembly is complete.
4. Before assembling the item, carefully read all provided instructions.
5. Handle tools with care during assembly to prevent injuries.

1



2



- Place the chair on an even surface.
- Put a load of approx. 60KG on to the seat.
- Adjust until all 4 legs are level - before you carefully tighten the screws.
- NOTE! The screws must be tightened after a period of use, and thereafter as required

