

KOALA





L I V I N G

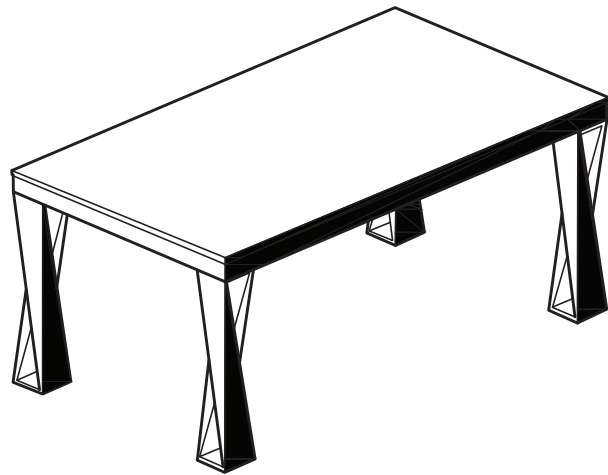
Assembly Instruction

Product Name: Masa Natural White Marble Dining Table-Black Legs 200cm

Product Id: 127545

Hardware List

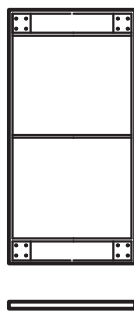
- | | | | |
|---|---|------------------------|--------|
| A |  | Allen Key
5mm | 1 pc |
| B |  | Allen Bolt | 16 pcs |
| C |  | Threaded
Insert Nut | 16 pcs |
| D |  | Stopper | 6 pcs |



Part List



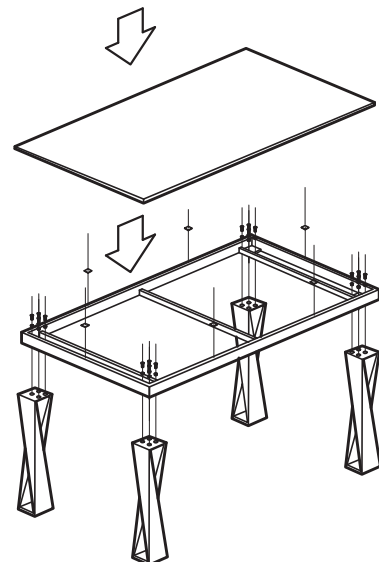
1 pc



1 pc



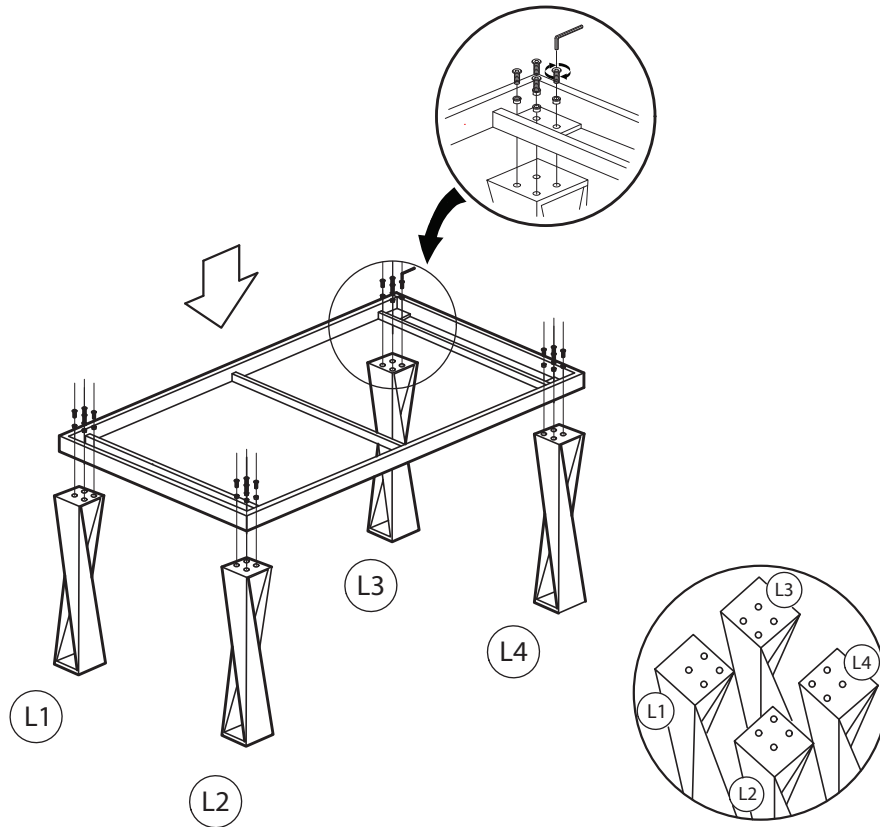
4 pcs



Note

1. Assemble the item on a soft, well-lit surface like cardboard or carpet.
2. For safety and efficiency, it's best to have two or more people assist with assembly to handle heavy parts safely and collaborate effectively.
3. Keep all packaging materials intact until assembly is complete.
4. Before assembling the item, carefully read all provided instructions.
5. Handle tools with care during assembly to prevent injuries.

1



2

