

KOALA




L I V I N G

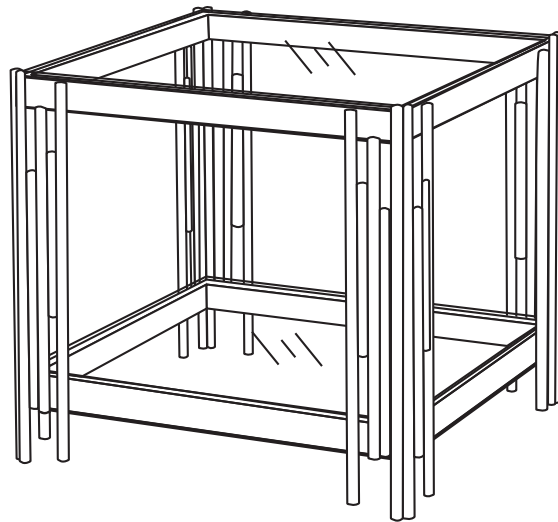
Assembly Instruction

Product Name: Lindsay Silver Side Table

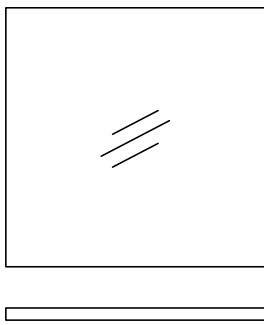
Product Id: 126847

Hardware List

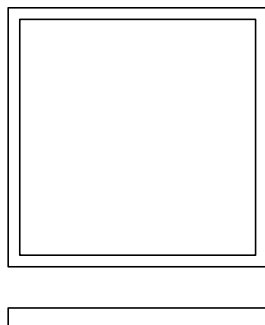
- A  Allen Key 1 pc
- B  Allen Bolt M6x10mm 16 pcs
- C  Silicon Pad 12x2mm 8 pcs



Part List



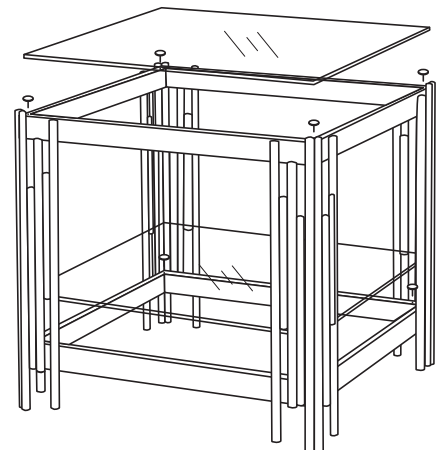
Glass Top
2 pcs



Steel Frame
2 pcs



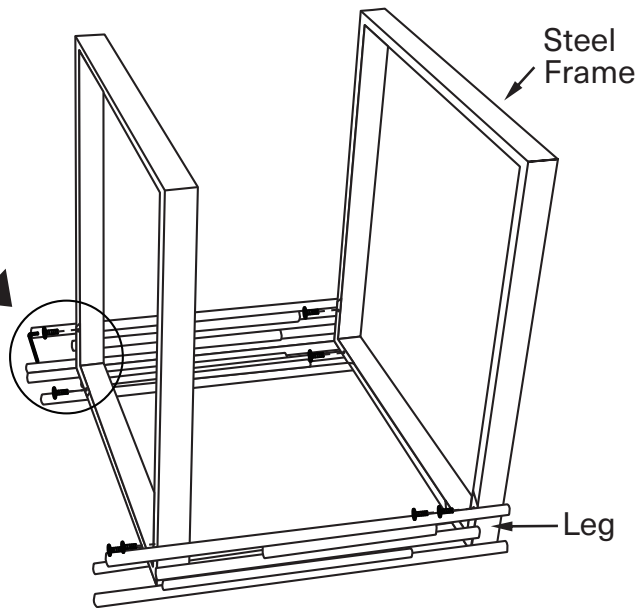
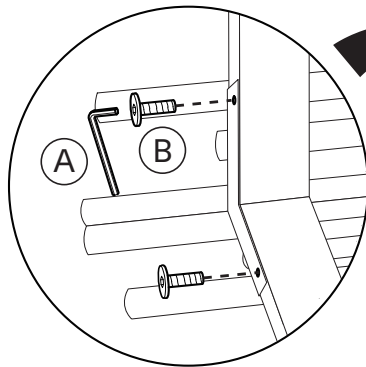
Leg
4 pcs



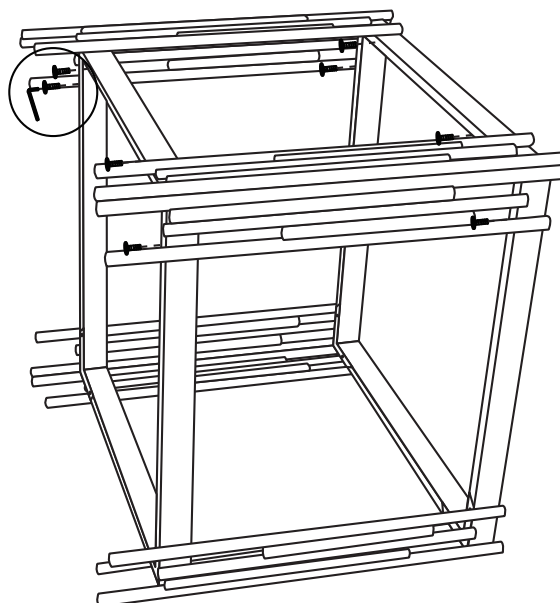
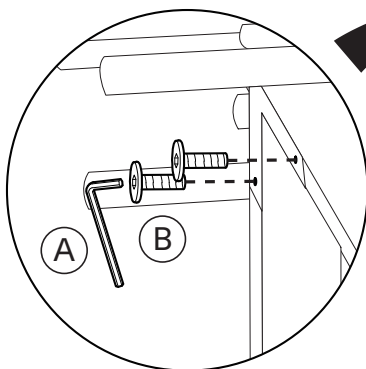
Note

1. Assemble the item on a soft, well-lit surface like cardboard or carpet.
2. For safety and efficiency, it's best to have two or more people assist with assembly to handle heavy parts safely and collaborate effectively.
3. Keep all packaging materials intact until assembly is complete.
4. Before assembling the item, carefully read all provided instructions.
5. Handle tools with care during assembly to prevent injuries.

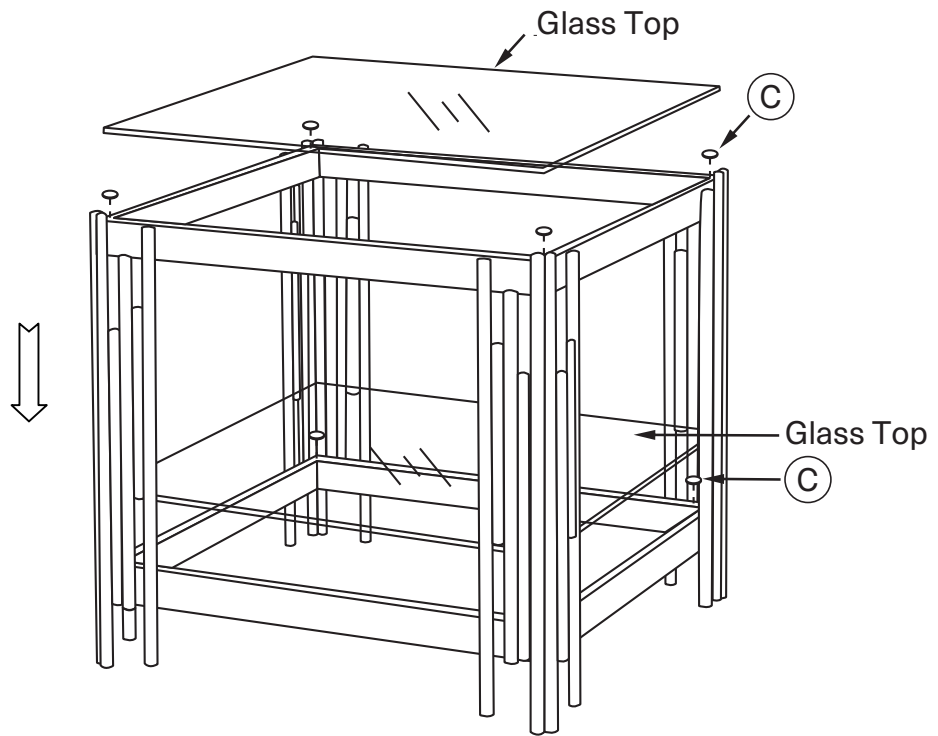
1



2



3



4

