

KOALA



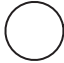
L I V I N G

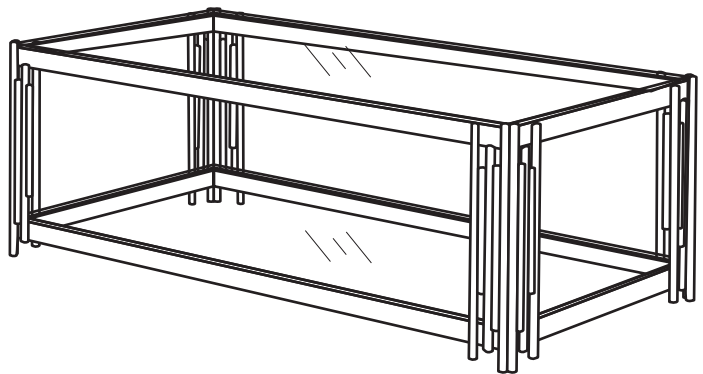
Assembly Instruction

Product Name: Lindsay Silver Coffee Table

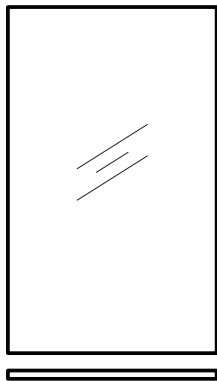
Product Id: 126846

Hardware List

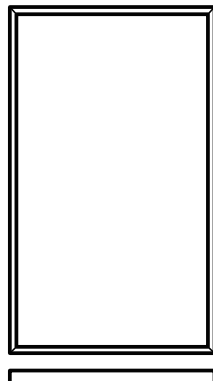
- | | | | |
|---|---|-----------------------|--------|
| A |  | Allen Key | 1 pc |
| B |  | Allen Bolt
M6x10mm | 16 pcs |
| C |  | Silicon Pad
12x2mm | 8 pcs |



Part List



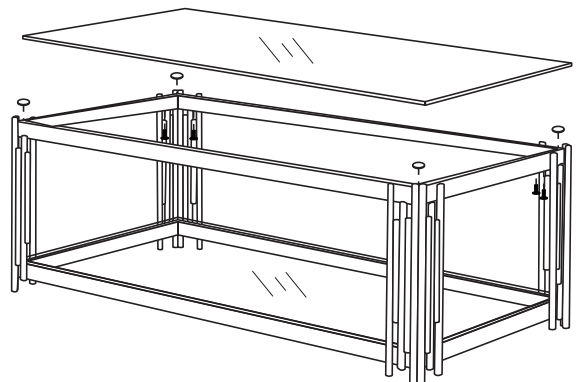
Glass Top
2 pcs



Metal Frame
2 pcs



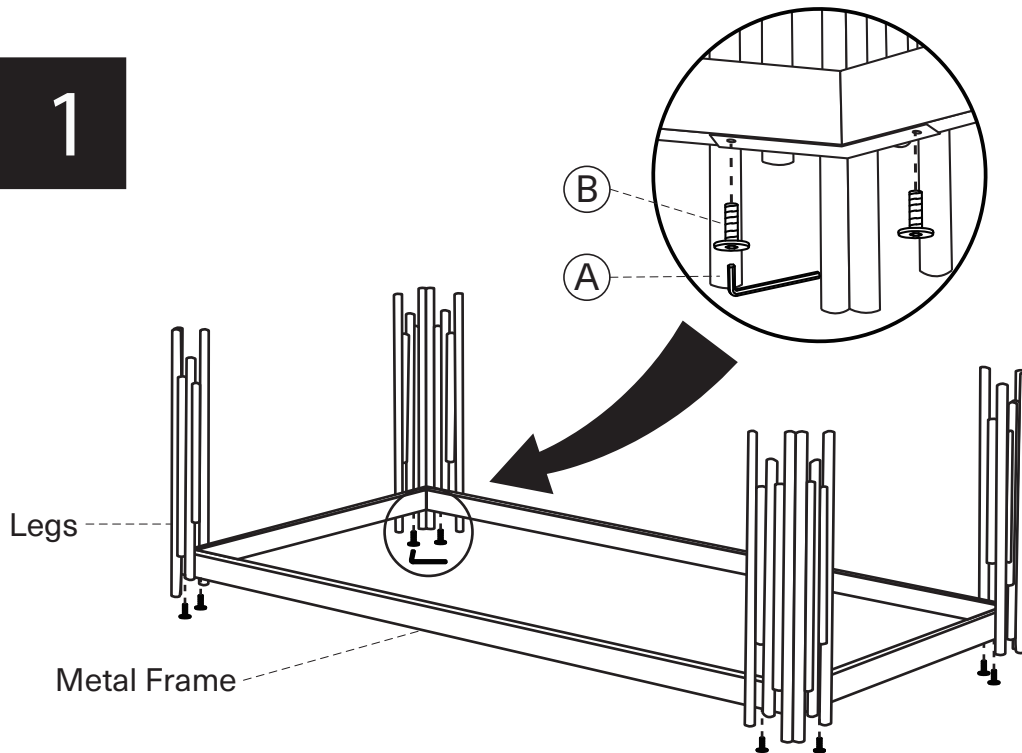
Legs
4 pcs



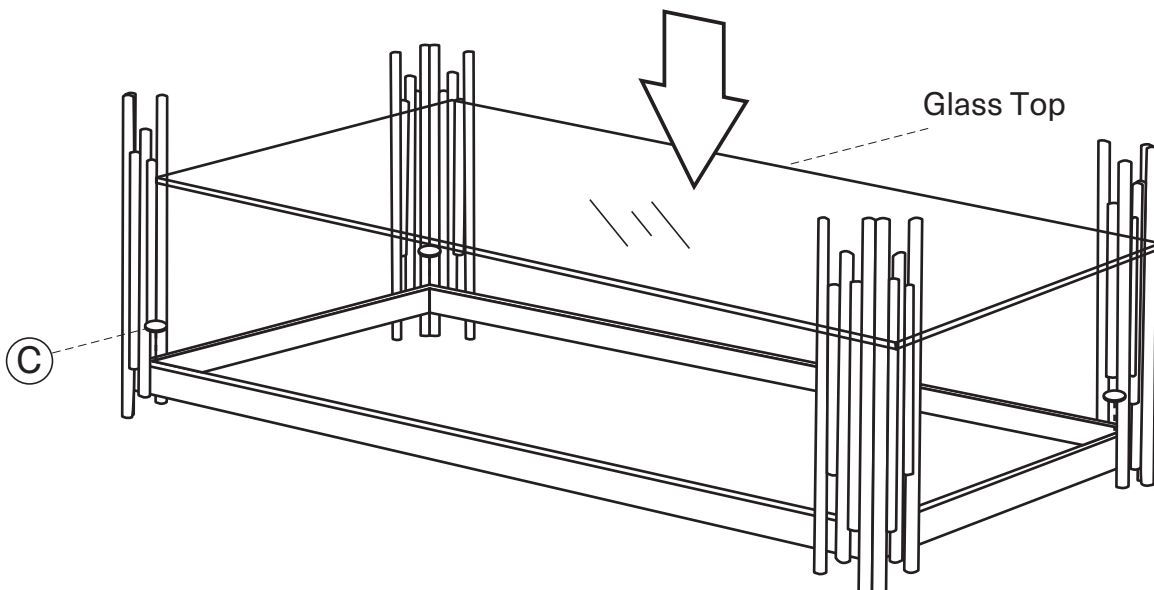
Note

1. Assemble the item on a soft, well-lit surface like cardboard or carpet.
2. For safety and efficiency, it's best to have two or more people assist with assembly to handle heavy parts safely and collaborate effectively.
3. Keep all packaging materials intact until assembly is complete.
4. Before assembling the item, carefully read all provided instructions.
5. Handle tools with care during assembly to prevent injuries.

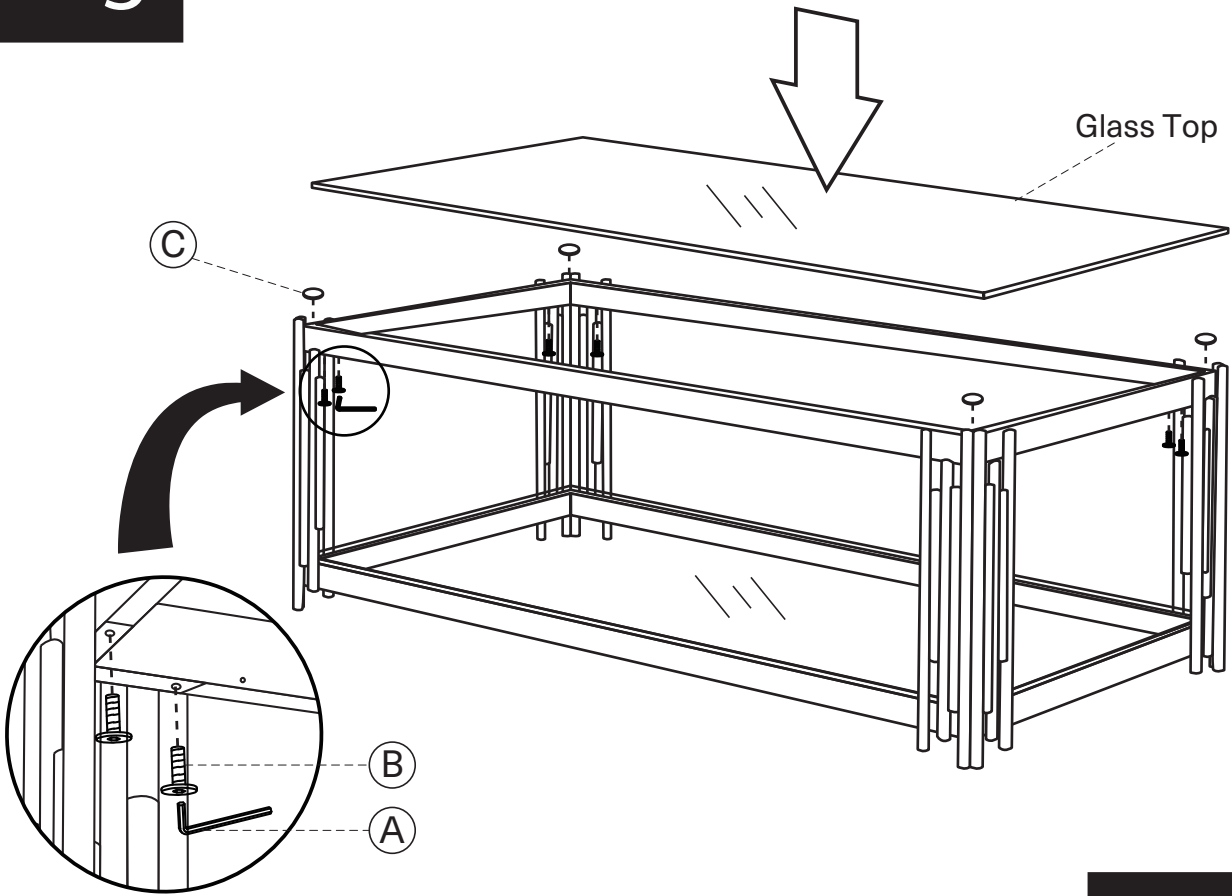
1



2



3



4

