

KOALA




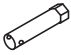





L I V I N G

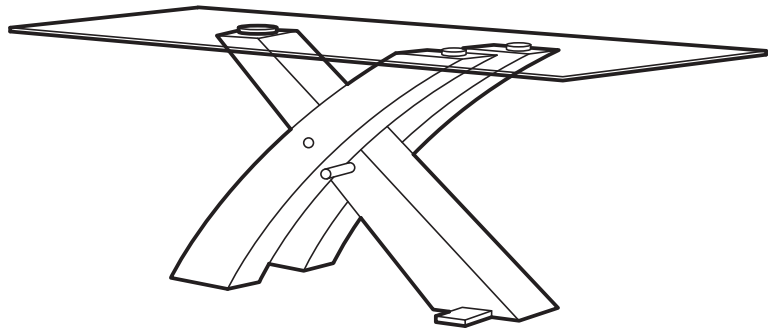
Assembly Instruction

Product Name: Adair Stainless Steel Dining Table - Glass Top 180cm

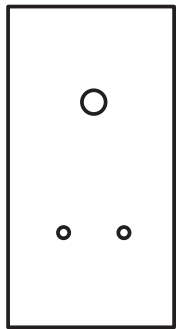
Product Id: 126768

Hardware List

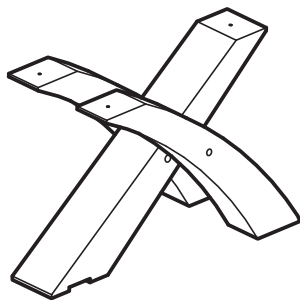
A		Bolt M12*500	1 pc
B		Washer Ø22*12	2 pcs
C		Nut M12	2 pcs
D		Spanner 19#	1 pc
E		Alumcake Ø34*M10	2 pcs
F		Bolt Ø38*25	2 pcs
G		Allen Key 5mm	2 pcs
H		Spring Washer M8	5 pcs
I		Bolt M8*45	3 pcs



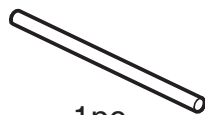
Part List



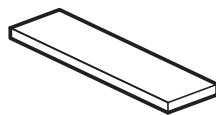
1pc



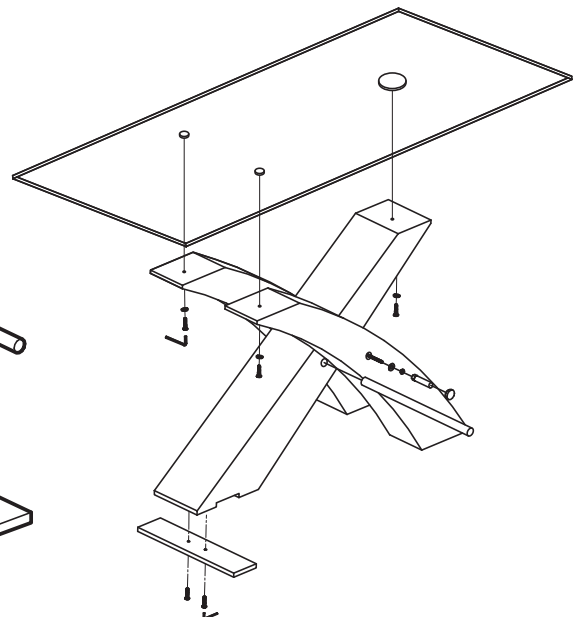
1pc



1pc

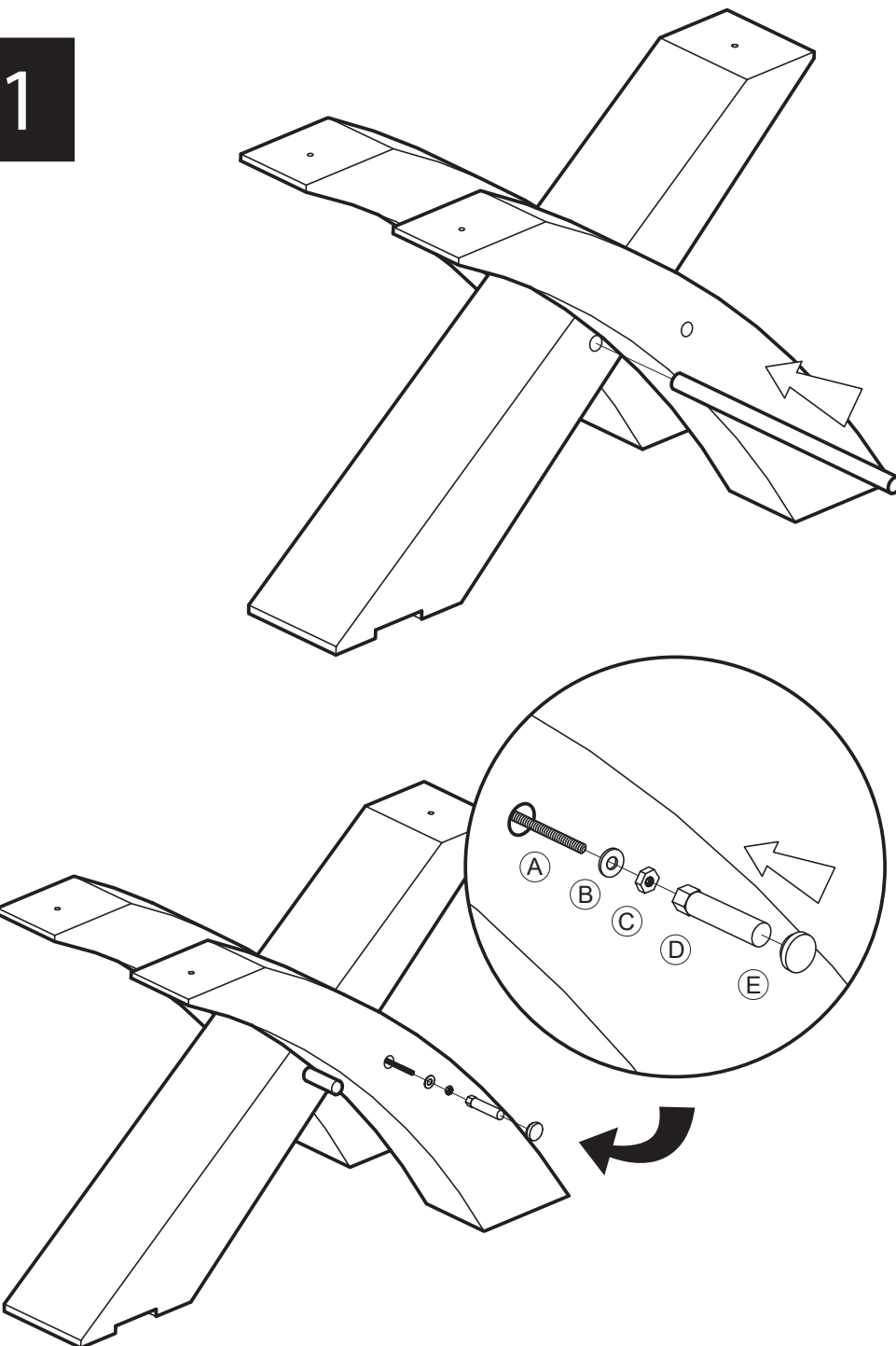


1pc

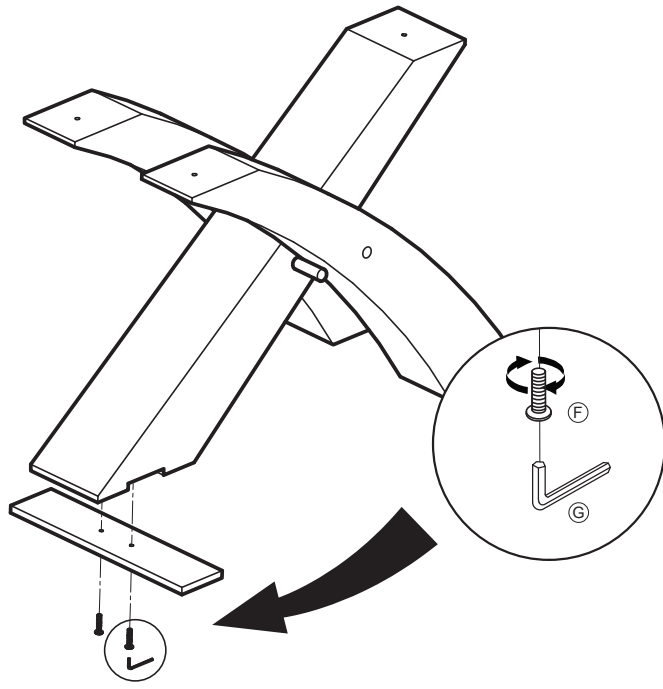


Note

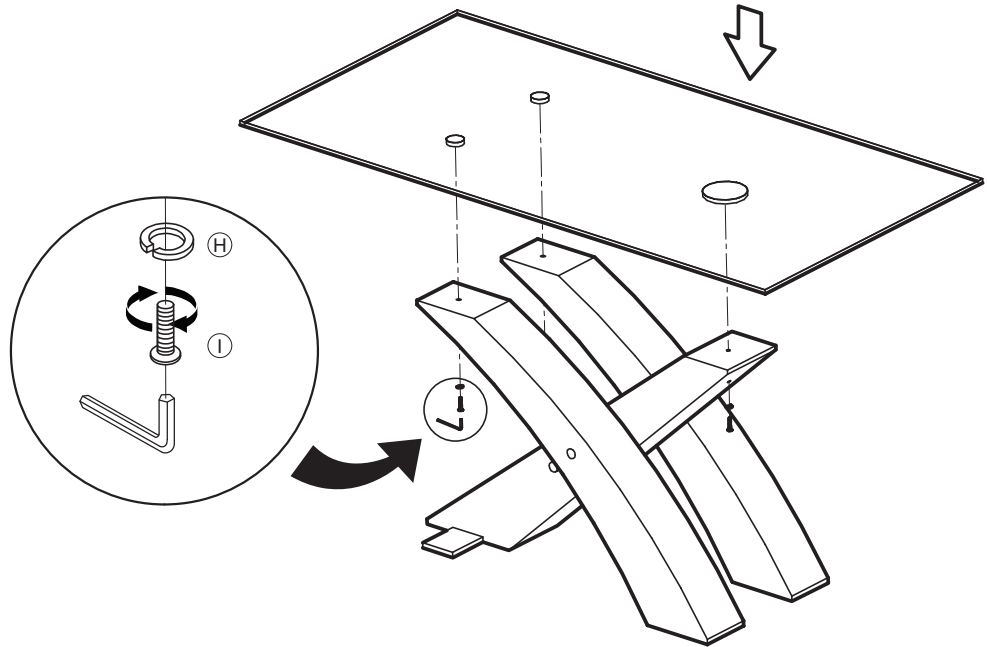
1. Assemble the item on a soft, well-lit surface like cardboard or carpet.
2. For safety and efficiency, it's best to have two or more people assist with assembly to handle heavy parts safely and collaborate effectively.
3. Keep all packaging materials intact until assembly is complete.
4. Before assembling the item, carefully read all provided instructions.
5. Handle tools with care during assembly to prevent injuries.



3



4



5

