

# KOALA

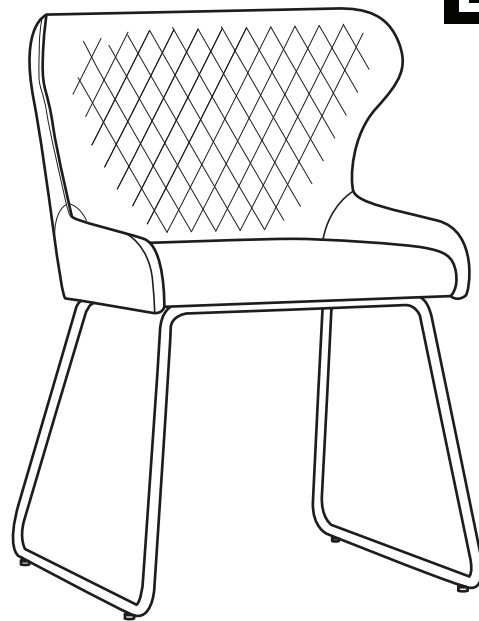
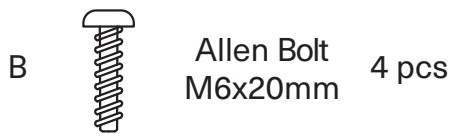
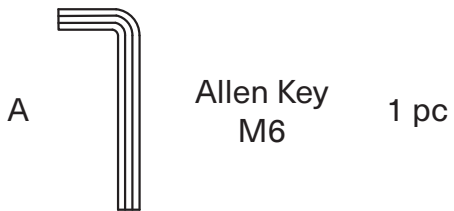
## L I V I N G

### Assembly Instruction

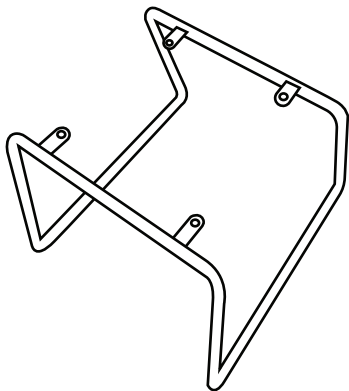
Product Name: Quinn Black Vegan Leather Dining Chair - Brass Colour Legs

Product Id: 126570

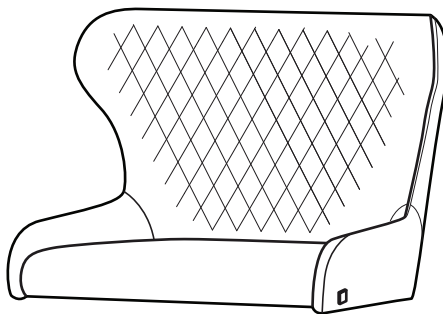
#### Hardware List



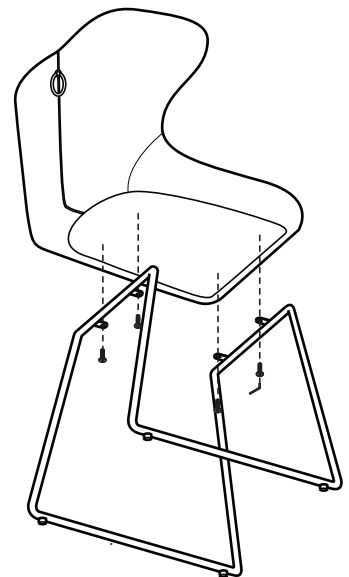
#### Part List



Legs  
1 pc



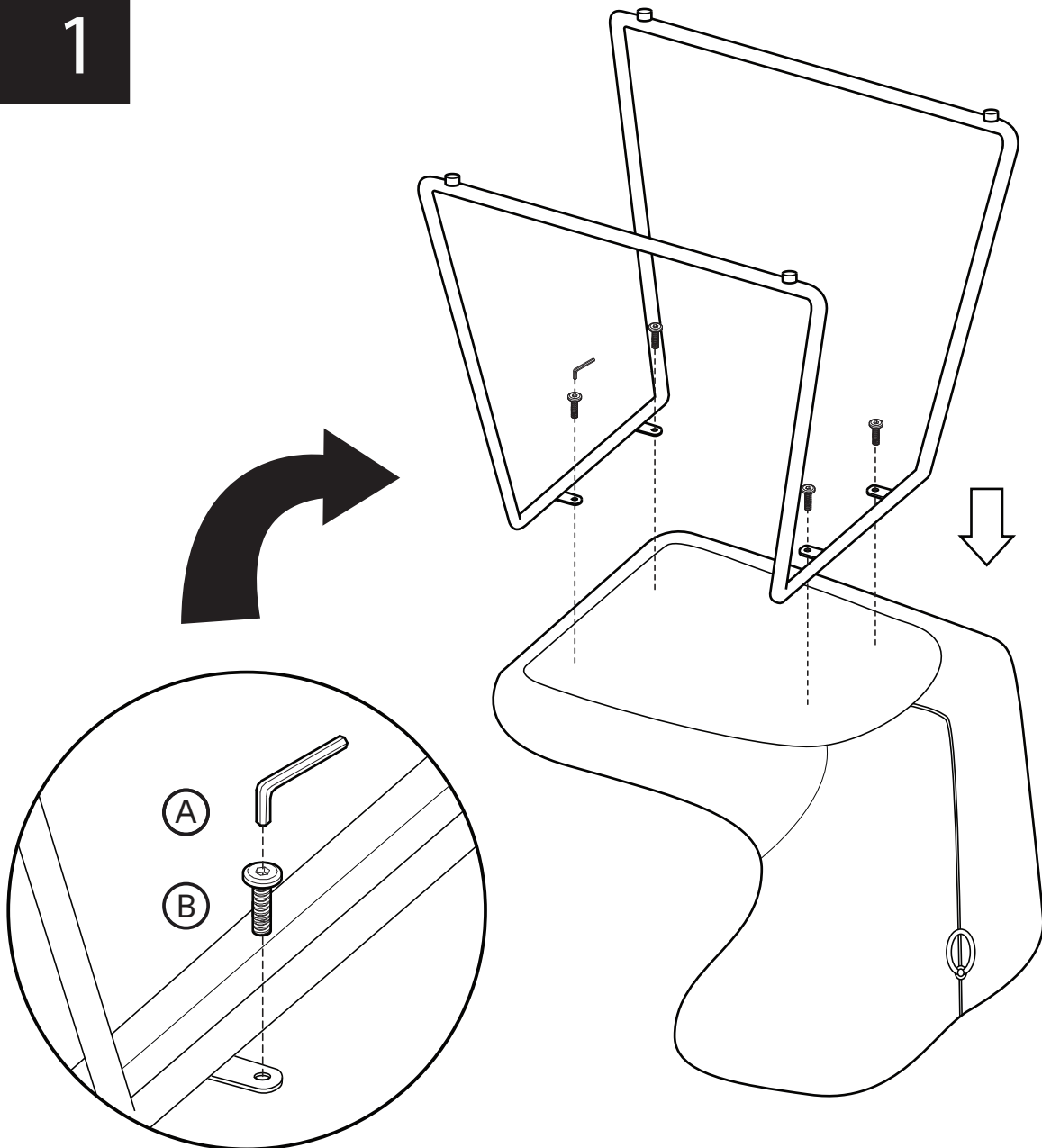
Seat  
1 pc



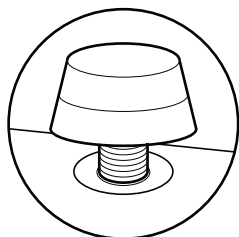
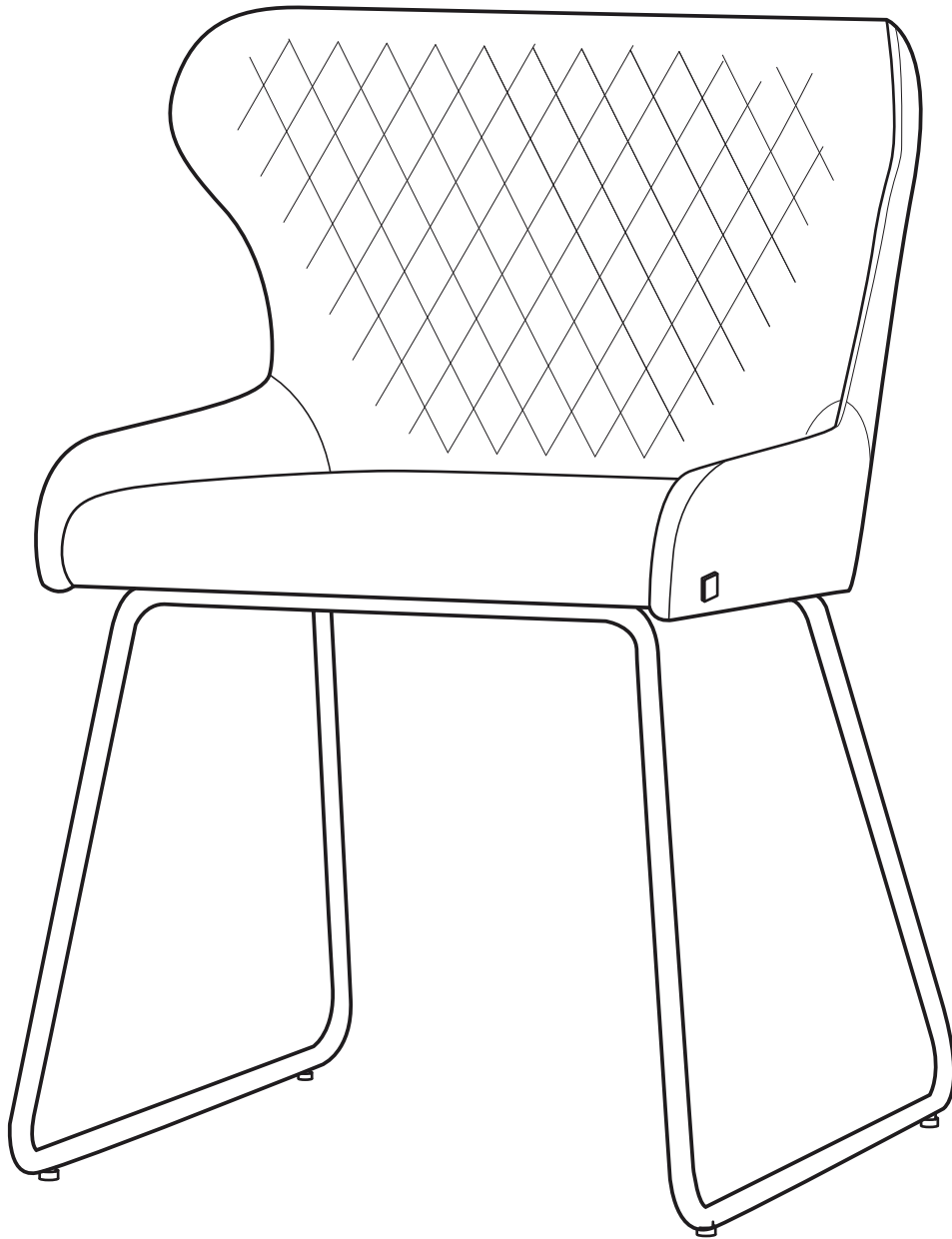
## Note

1. Assemble the item on a soft, well-lit surface like cardboard or carpet.
2. For safety and efficiency, it's best to have two or more people assist with assembly to handle heavy parts safely and collaborate effectively.
3. Keep all packaging materials intact until assembly is complete.
4. Before assembling the item, carefully read all provided instructions.
5. Handle tools with care during assembly to prevent injuries.

1



2



Turn the chair upright and adjust the leveler if it wobbles.