






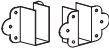
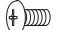






KOALA

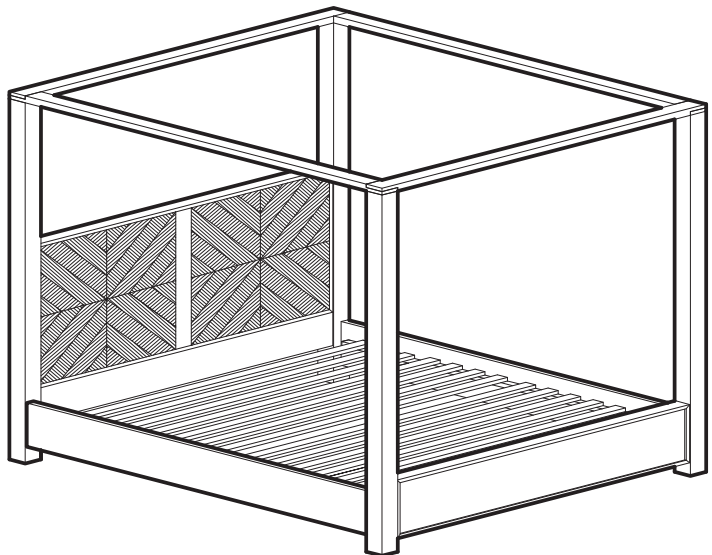
L I V I N G

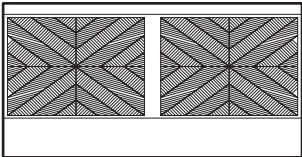




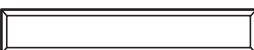



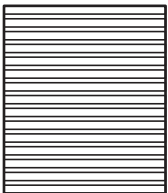
Assembly Instruction

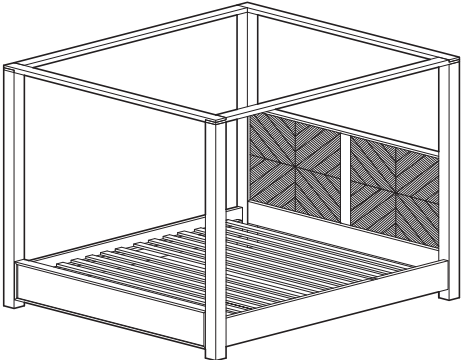
Product Name: Regina Wooden Veneer King Bed

Product Id: 126308

Hardware List			
A		C.B.S. M4X16	8 pcs
B		JCBC Bolt 6X40	6 pcs
C		Nut 5X6	6 pcs
D		Allen Key M4	1 pc
E		C.B.S. 4X30	6 pcs
F		Metal "U" Bracket	2 pcs
G		Nut Screw M8X16	8 pcs
H		JCBC Bolt 8X40	10 pcs
I		JCBC Bolt 6X50	8 pcs
J		Big Washer	10 pcs
K		Medium Washer	8 pcs
L		Allen Key M5	1 pc
M		C.B.S. 4X38	4 pcs



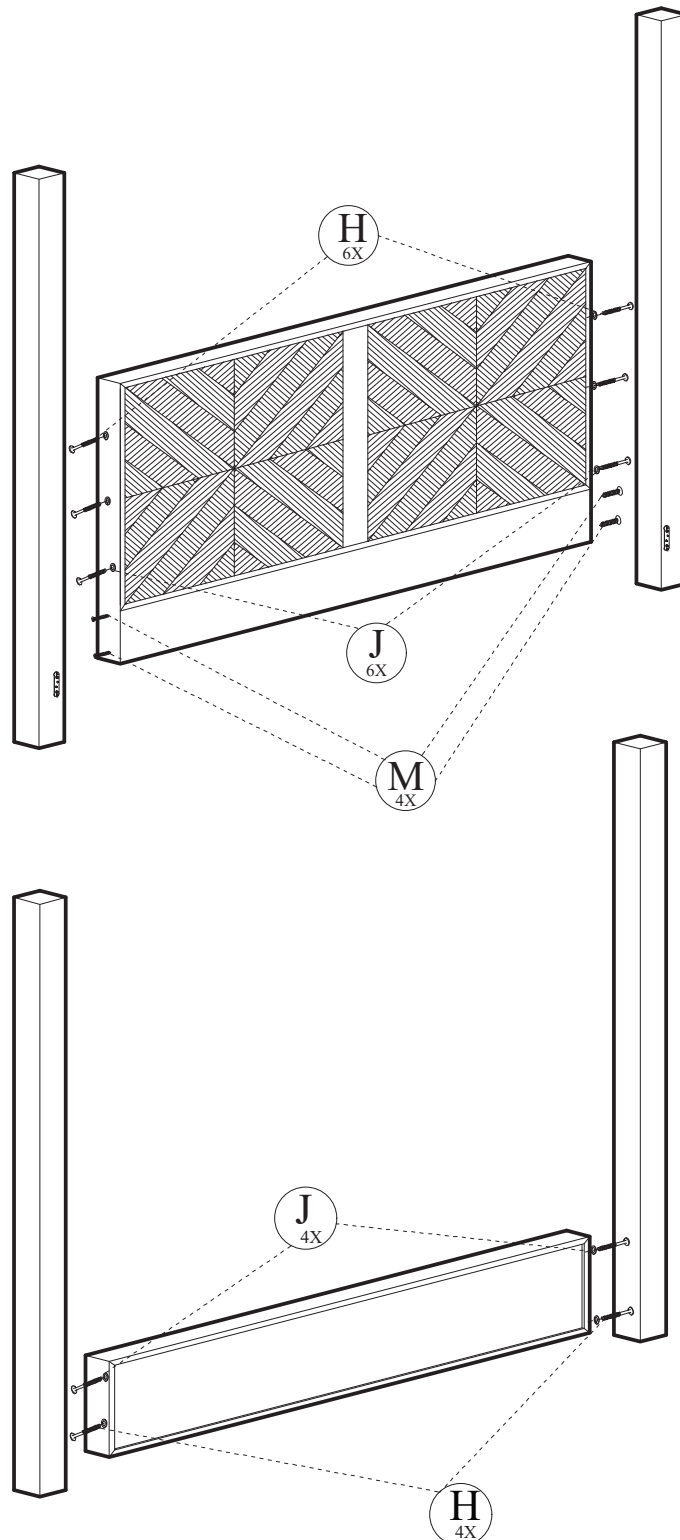
Part List					
	Headboard 1 pc		Column A 1 pc		Column B 1 pc
	Sideboard 2 pcs		Foot Column 1 pc		
	Footboard 1 pc		Middle Leg 2 pcs		Bedframe Support 1 pc
	Top Support 4 pcs		Bedframe		



Note

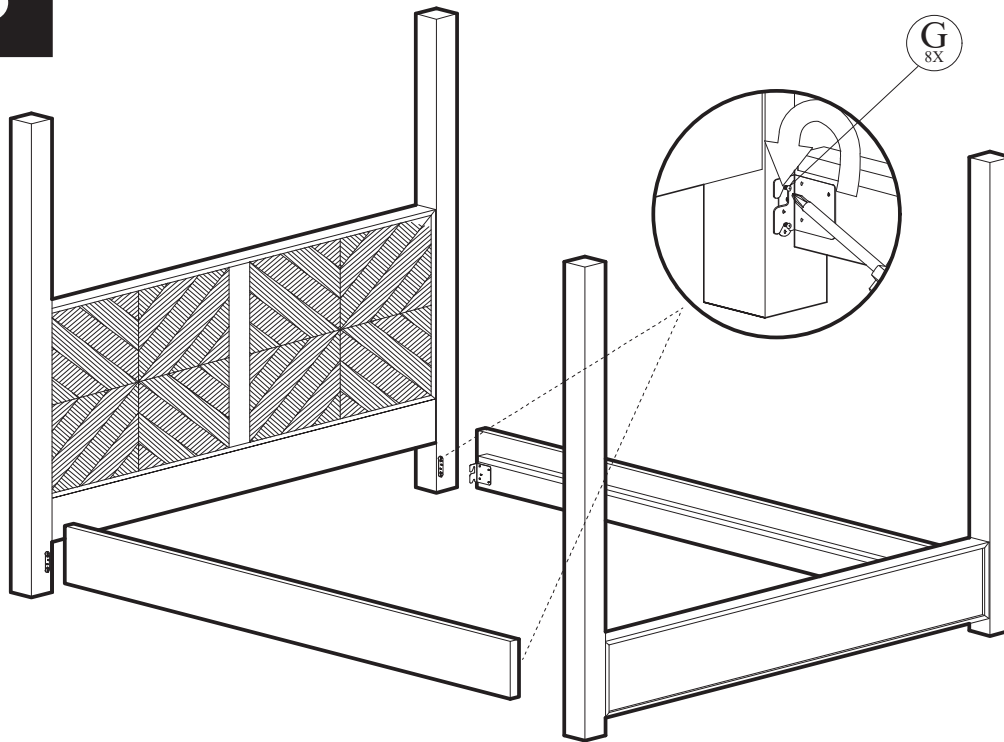
1. Assemble the item on a soft, well-lit surface like cardboard or carpet.
2. For safety and efficiency, it's best to have two or more people assist with assembly to handle heavy parts safely and collaborate effectively.
3. Keep all packaging materials intact until assembly is complete.
4. Before assembling the item, carefully read all provided instructions.
5. Handle tools with care during assembly to prevent injuries.

1

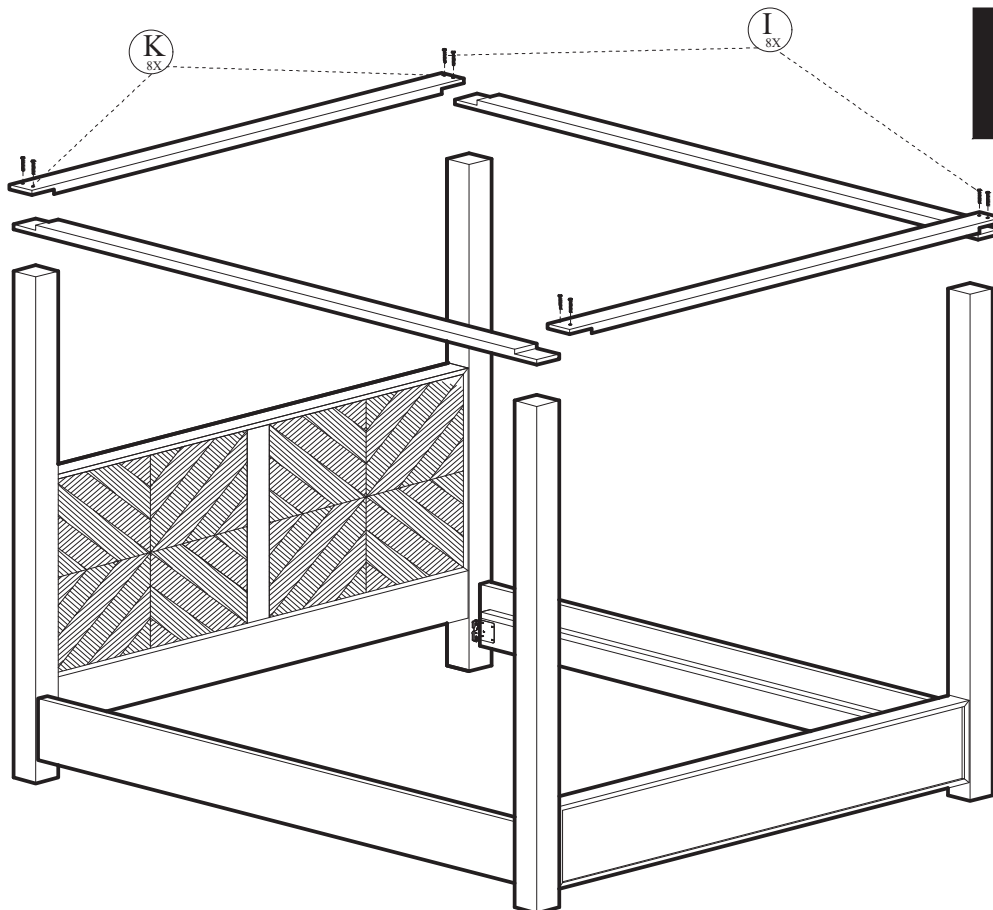


2

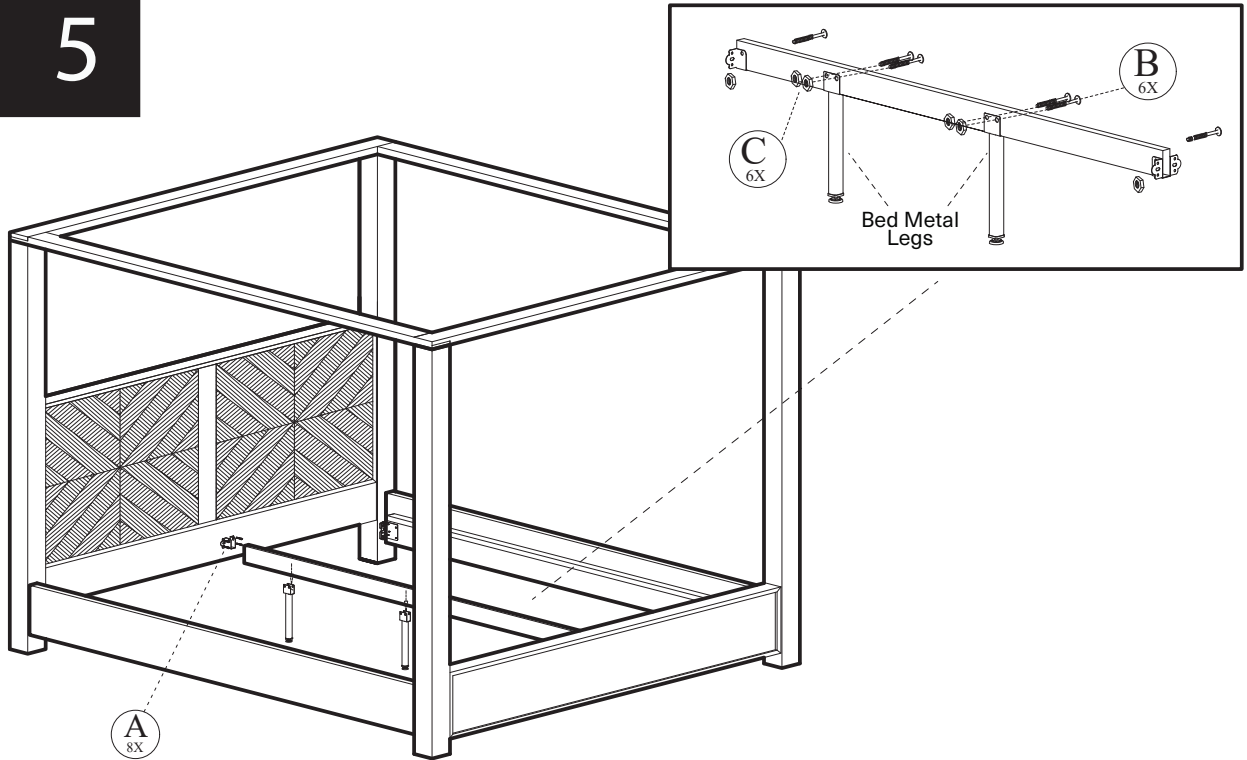
3



4



5



6

